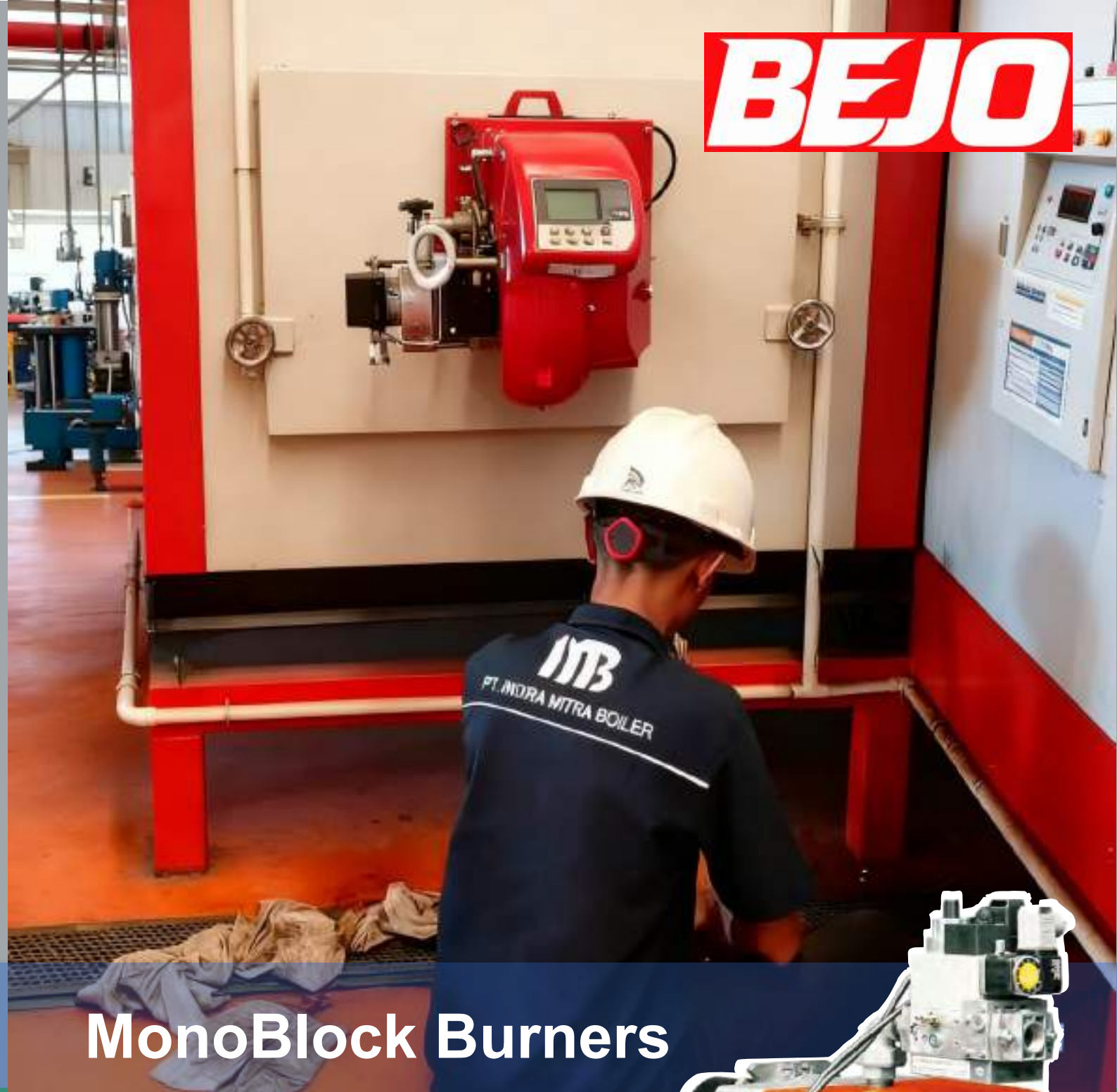


# BEJO



## MonoBlock Burners

### EB-II Series PRODUCT CATALOG



# BEJO

## Table of contents

---

### **001-008 Single-stage/Two-stage gas burner**

001-002	E-BTG 12/12P 48.8~115kW
003-004	E-BTG 20/20P 60~205kW
005-006	E-BTG 28/28P 80~280kW

---

### **007-038 Single-stage/Two-stage Progressive/Mechanical Modulation Gas Burners**

007-008	E-TBG 35/35P/35MC 80~410kW
009-010	E-TBG 45/45P/45MC 100~450kW
011-012	E-TBG 60/60P/60MC 120~600kW
013-014	E-TBG 85P/85MC 130~850kW
015-016	E-TBG 85LX ME/85ME 130~850kW
017-018	E-TBG 110LX ME/120ME 180~1200kW
019-020	E-TBG 120P/120MC 240~1200kW
021-022	E-TBG 150P/150MC 300~1500kW
023-024	E-TBG 140LX ME/150ME 200~1500kW
025-026	E-TBG 210P/210MC 400~2100kW
027-028	E-TBG 210LX ME/210ME 200~1500kW
029-030	E-TBG 260MC/260ME 450~2600kW
031-032	E-TBG 360MC/360ME 500~3600kW
033-034	E-TBG 450-510LX MC/ME 500~3800kW
035-036	E-TBG 650-750LX MC/ME 900~6000kW
037-038	E-TBG 800-1100-1200LX MC/ME 700~12000kW

---

### **039-042 Single-Stage/Gas&Oil Dual Fuel Burner**

039-040	E-TBML 7-11 38.5~103kW
041-042	E-TBML 20 60~205kW

---

### **043-060 Single-stage /Two-stage Progressive/Modulating Electronic/ Gas&light Oil Dual-fuel Burner**

043-044	E-TBML 35/35MC 80~410kW
045-046	E-TBML 45MC-60MC 100~600kW
047-048	E-TBML 80MC-120MC 180~1200kW
049-050	E-TBML 150MC-160MC 350~1600kW
051-052	E-TBML 200MC 450~2000kW
053-054	E-TBML 260MC 500~2600kW
055-056	E-TBML 360MC 600~3600kW
057-058	E-TBML 450M~650MC 600~6500kW
059-060	E-TBML 750M/800MC 650~8000kW

---

### **061-064 Single-stage/Two-stage Light Oil Burners**

061-062	E-BTL 14/14P 89~172kW
063-064	E-TBL 18-26-35/18-26-35P 90~370kW

---

### **065-074 Two-stage Light Oil Burners**

065-066	E-TBL 45~60P 160~600kW
067-068	E-TBL 85~105P 200~1050kW
069-070	E-TBL 130~160~210P 400~2100kW
071-072	E-TBL 260~300P 873~3000kW
073-074	E-TBL 450~550~650~750P 1580~7500kW

---

# E-BTG 12/12P 48.8~115kW

Single-stage/two-stage gas burner



Fig.1



Fig.2

## Technological performance and structural descriptions

- ▶ Single-stage / two-stage fire operation (on / off).
- ▶ The emission reaches the European standard CLASS II.
- ▶ Air and gas are mixed in the burner head.
- ▶ The best combustion parameters can be obtained by adjusting the combustion air and the combustion head.
- ▶ The gas valve group is a combination of operating valve, safety valve, minimum pressure switch, pressure regulator and gas filter (except for individual valve groups).
- ▶ Adjust the air flow manually.
- ▶ Use a flange and high temperature insulation pad to connect and fix with the boiler.
- ▶ The sliding flange matched with various boiler flanges can adjust the position of the burner into the boiler.
- ▶ The single-phase motor drives the fan.
- ▶ Ionization electrodes detect the flame.
- ▶ With soundproof plastic protective cover.
- ▶ Standard electrical protection level IP40.

Model	Power kW	Power supply	Motor power kW	Packing Size LxPxH mm	Net weight kg
E-BTG 12	35~115	230V 50Hz	0.11	540x300x320	12
E-BTG 12P	35~115	230V 50Hz	0.11	540x300x320	12

## Alternative functions

TL is the standard model, the combustion tube can be lengthened and 60Hz can be customized.

## Proportional adjustment function

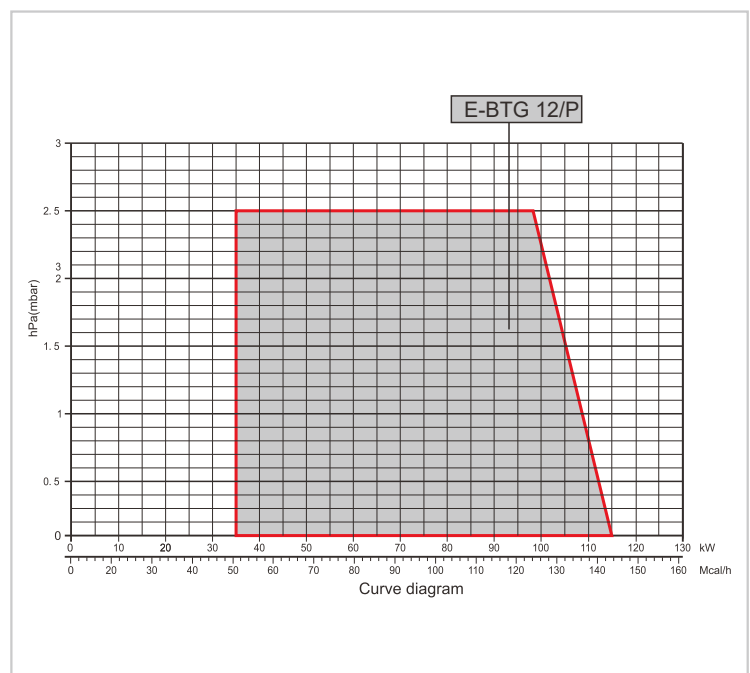
If order the proportional regulator RWF40 or DC1020 and the regulating components, the burner can be operated in proportional regulation.

## Standard accessories

Valve Group -the partnership with the boiler

## Remark

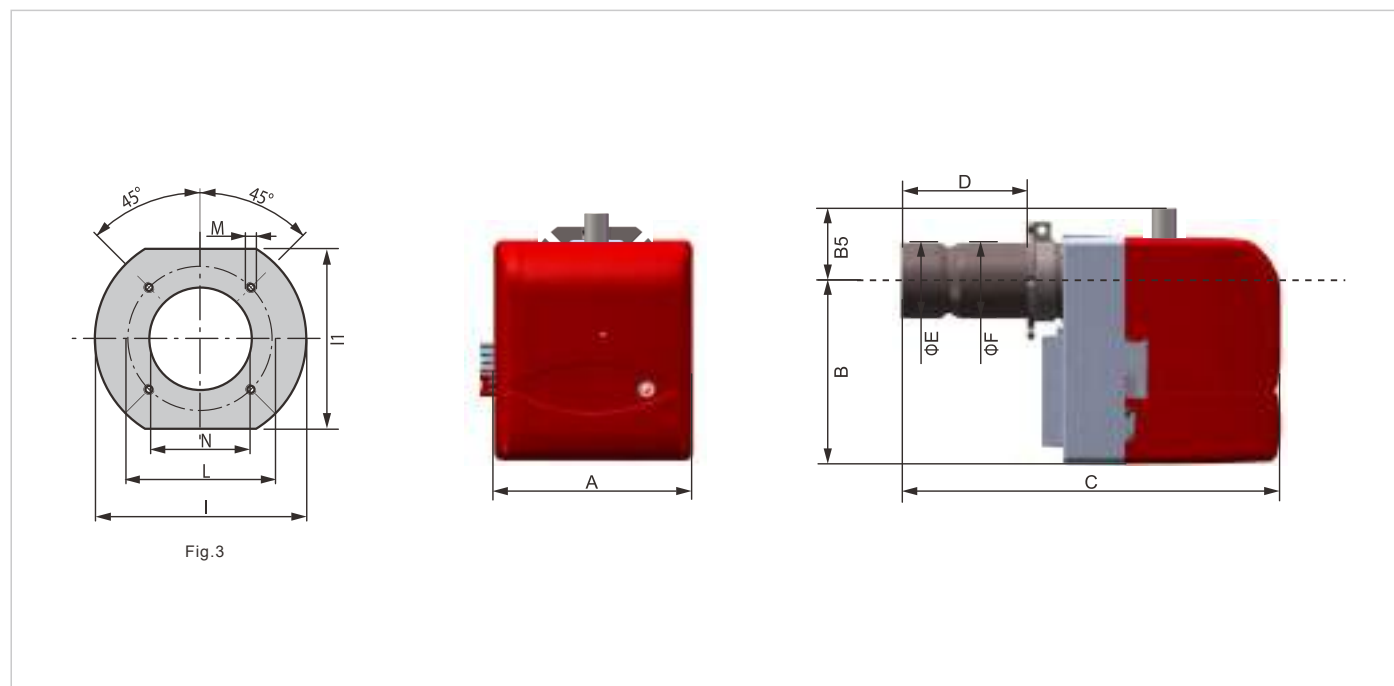
1. Equipped with air shut-off device.
  2. Alternative functions.
- \*) Minimum pressure at the valve group inlet required for the burner to reach maximum output when the back pressure in the combustion chamber is zero.
- \*\*\*) The maximum allowable gas pressure at the inlet of the valve group.



# E-BTG 12/12P 48.8~115kW

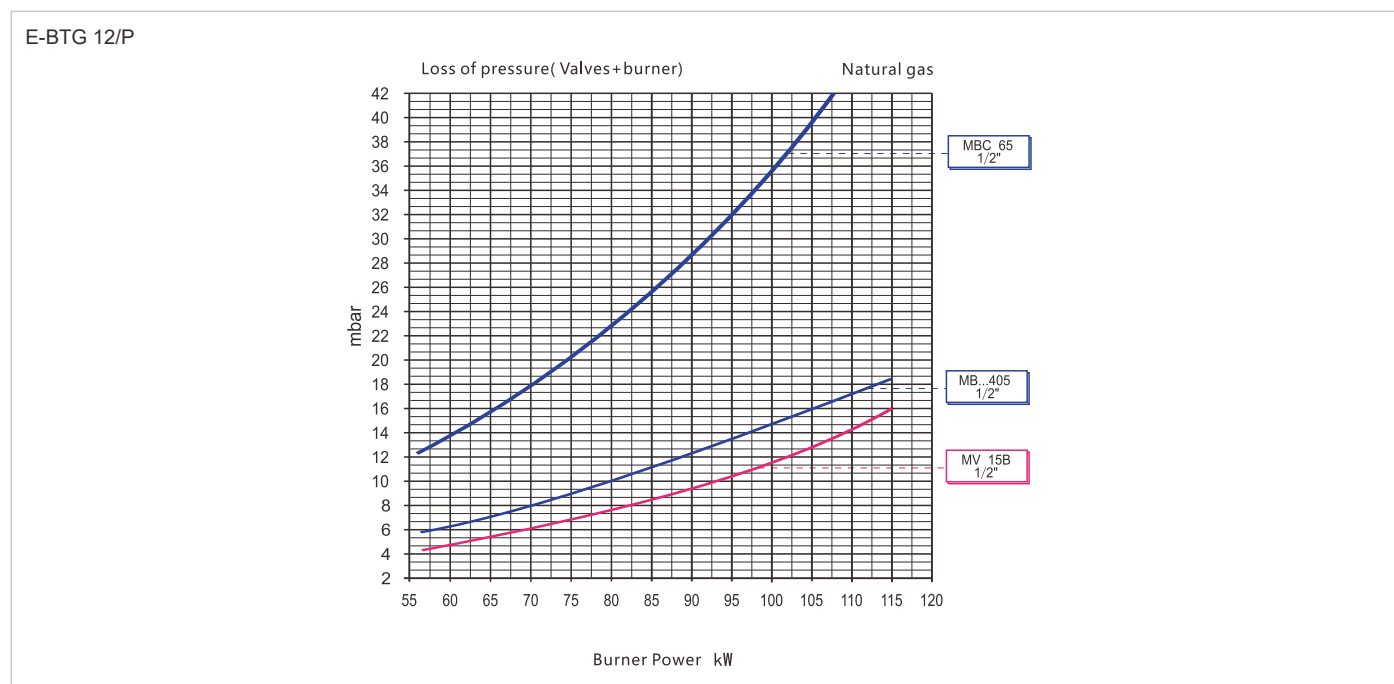
Technical parameters and valve group

Model	A mm	B mm	B5 mm	C mm	D mm	E mm	F mm	I mm	I1 mm	L mm	N mm	M mm	Figure No.
E-BTG 12	246	219	53	450	70~150	90	90	170	140	130~155	95	M8	Fig.3
E-BTG 12P	246	219	53	450	70~150	90	90	170	140	130~155	95	M8	Fig.3



E-BTG 12/P Natural gas

Curve	Valves code	Max pressure mbar	Filter pressure regulator	Figure No.	Remark
MBC 65 (1/2")	-	65	included	M2	LPG
MB...405 (1/2")	Matching	360	included	M2	
MV...15B (1/2")	-	65	-	ME1	LPG



# E-BTG 20/20P 60~205kW

Single-stage/Two-stage gas burner



Fig.1



Fig.2

## Technological performance and structural descriptions

- ▶ Single-stage / two-stage fire operation (on / off).
- ▶ The emission reaches the European standard CLASS II.
- ▶ Air and gas are mixed in the burner head.
- ▶ The best combustion parameters can be obtained by adjusting the combustion air and the combustion head.
- ▶ The gas valve group is a combination of operating valve, safety valve, minimum pressure switch, pressure regulator and gas filter (except for individual valve groups).
- ▶ Adjust the air flow manually.
- ▶ Use a flange and high temperature insulation pad to connect and fix with the boiler.
- ▶ The sliding flange matched with various boiler flanges can adjust the position of the burner into the boiler.
- ▶ The single-phase motor drives the fan.
- ▶ Ionization electrodes detect the flame.
- ▶ With soundproof plastic protective cover.
- ▶ Standard electrical protection level IP40.

Model	Power kW	Power supply	Motor power kW	Packing Size LxPxH mm	Net weight kg
E-BTG 20	60~205	230V 50Hz	0.18	780x370x410	18
E-BTG 20P	60~205	230V 50Hz	0.18	780x370x410	18

## Alternative functions

TL is the standard model, the combustion tube can be lengthened and 60Hz can be customized.

## Proportional adjustment function

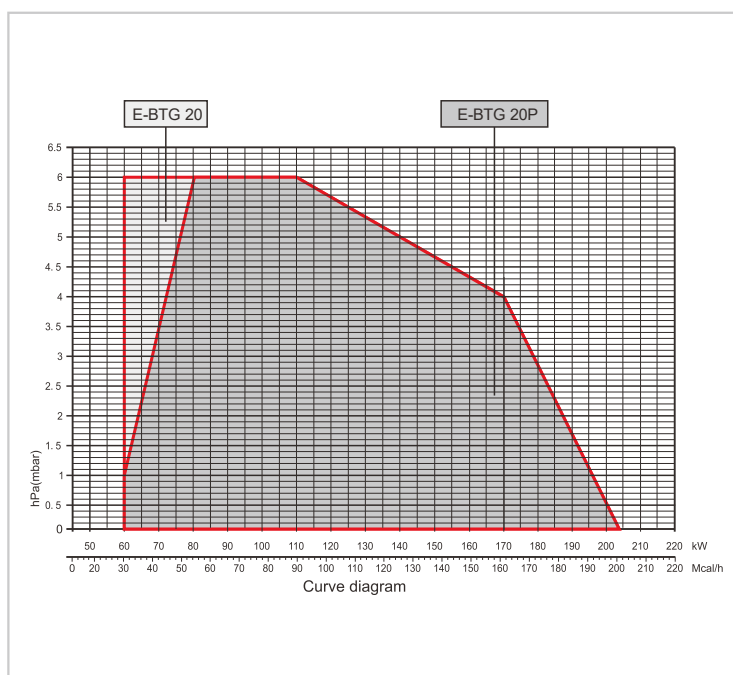
If order the proportional regulator RWF40 or DC1020 and the regulating components, the burner can be operated in proportional regulation.

## Standard accessories

Valve Group -the partnership with the boiler

## Remark

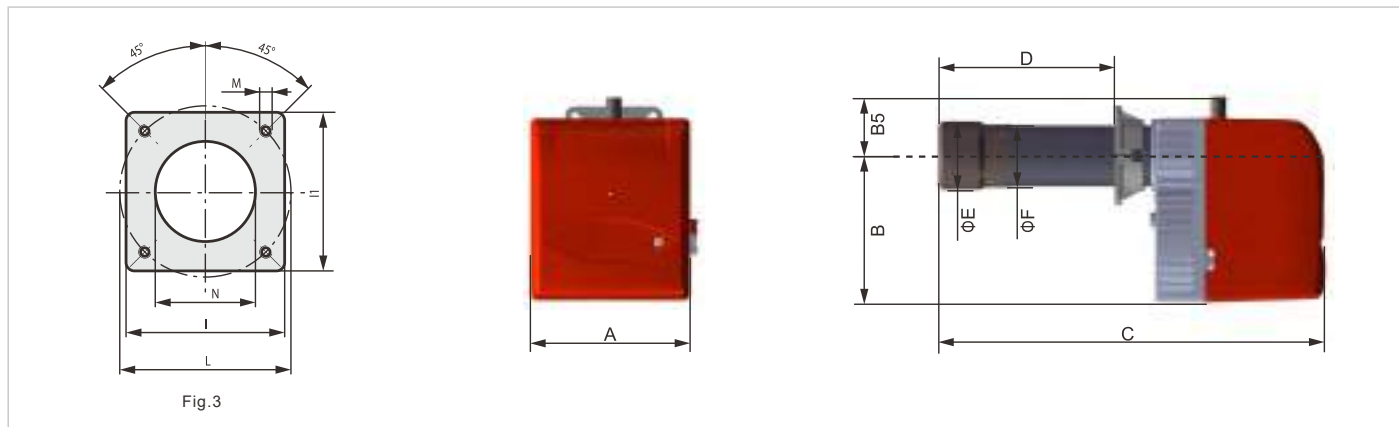
1. Equipped with air shut-off device.
  2. Alternative functions.
- \*) Minimum pressure at the valve group inlet required for the burner to reach maximum output when the back pressure in the combustion chamber is zero.
- \*\*\*) The maximum allowable gas pressure at the inlet of the valve group.



# E-BTG 20/20P 60~205kW

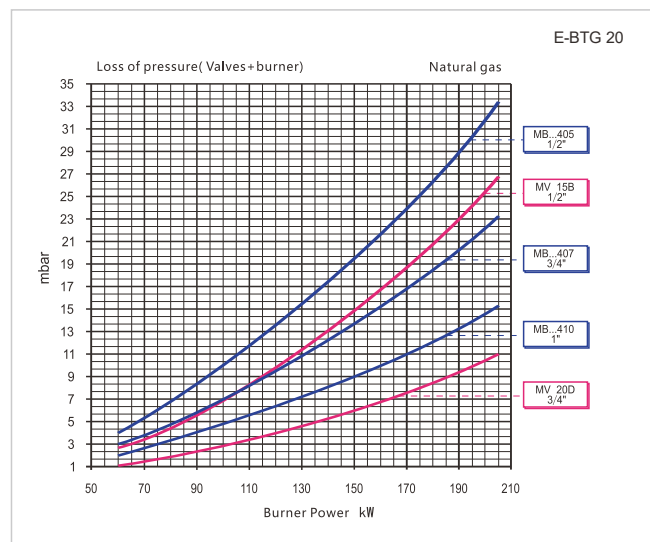
Technical parameters and valve group

Model	A mm	B mm	B5 mm	C mm	D mm	E mm	F mm	I mm	I1 mm	L mm	N mm	M mm	Figure No.
E-BTG 20	302	275	70	695	150~300	127	114	185	185	170~210	135	M10	Fig.3
E-BTG 20P	302	275	70	695	150~300	127	114	185	185	170~210	135	M10	Fig.3



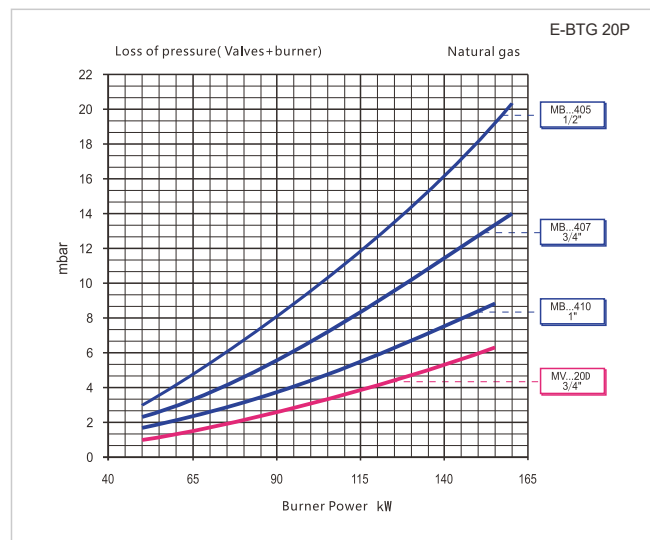
E-BTG 20 Natural gas

Curve	Valves code	Max pressure mbar	Filter pressure regulator	Figure No.	Remark
MB...405 (1/2")	Matching	360	included	F1	
MV...15B (1/2")	-	40	-	F1	LPG
MB...407 (3/4")	Matching	360	included	Q8	
MB...410 (1")	Matching	360	included	F1	LPG
MV...20D (3/4")	-	40	-	Q8	



E-BTG 20P Natural gas

Curve	Valves code	Max pressure mbar	Filter pressure regulator	Figure No.	Remark
MB...405 (1/2")	Matching	360	included	YQ2	LPG
MB...407 (3/4")	Matching	360	included	YQ2	
MB...410 (1")	Matching	360	included	YQ2	LPG
MV...20D (3/4")	-	40	-	Q8	



# E-BTG 28/28P 80~280kW

Single-stage/Two-stage gas burner



Fig.1



Fig.2

## Technological performance and structural descriptions

- ▶ Single-stage / two-stage fire operation (on / off).
- ▶ The emission reaches the European standard CLASS II.
- ▶ Air and gas are mixed in the burner head.
- ▶ The best combustion parameters can be obtained by adjusting the combustion air and the combustion head.
- ▶ The gas valve group is a combination of operating valve, safety valve, minimum pressure switch, pressure regulator and gas filter (except for individual valve groups).
- ▶ Adjust the air flow manually.
- ▶ Use a flange and high temperature insulation pad to connect and fix with the boiler.
- ▶ The sliding flange matched with various boiler flanges can adjust the position of the burner into the boiler.
- ▶ The single-phase motor drives the fan.
- ▶ Ionization electrodes detect the flame.
- ▶ With soundproof plastic protective cover.
- ▶ Standard electrical protection level IP40.

Model	Power kW	Power supply	Motor power kW	Packing Size LxPxH mm	Net weight kg
E-BTG 28	100~280	230V 50Hz	0.18	780x370x410	18
E-BTG 28P	80~280	230V 50Hz	0.18	780x370x410	18

## Alternative functions

TL is the standard model, the combustion tube can be lengthened and 60Hz can be customized.

## Proportional adjustment function

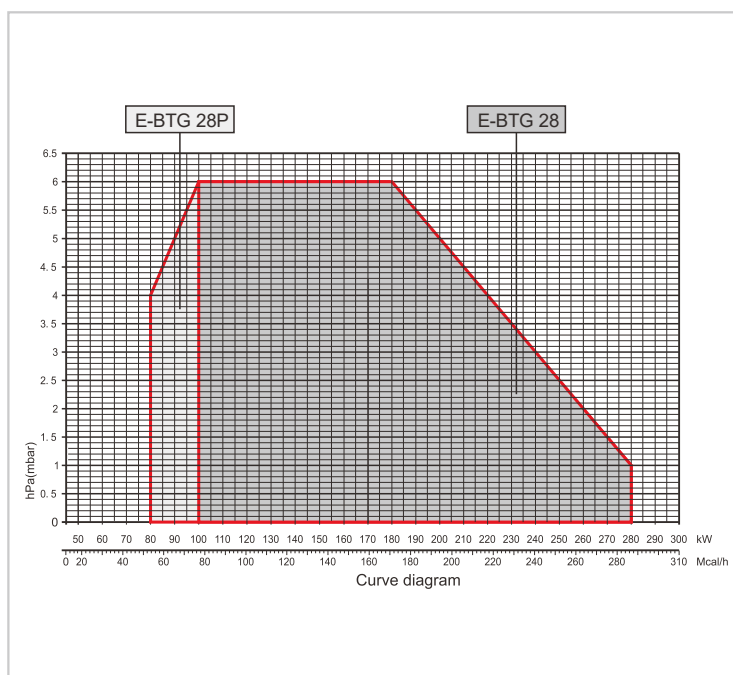
If order the proportional regulator RWF40 or DC1020 and the regulating components, the burner can be operated in proportional regulation.

## Standard accessories

Valve Group -the partnership with the boiler

## Remark

1. Equipped with air shut-off device.
  2. Alternative functions.
- \*) Minimum pressure at the valve group inlet required for the burner to reach maximum output when the back pressure in the combustion chamber is zero.
- \*\*\*) The maximum allowable gas pressure at the inlet of the valve group.



# E-BTG 28/28P 80~280kW

Technical parameters and valve group

Model	A mm	B mm	B5 mm	C mm	D mm	E mm	F mm	I mm	I1 mm	L mm	N mm	M mm	Figure No.
E-BTG 28	302	275	70	695	150~300	135	114	185	185	170~210	145	M10	Fig.3
E-BTG 28P	302	275	70	695	150~300	135	114	185	185	170~210	145	M10	Fig.3

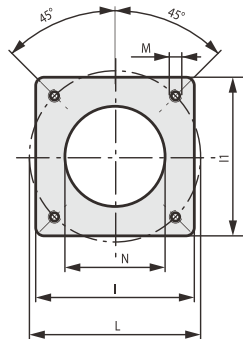
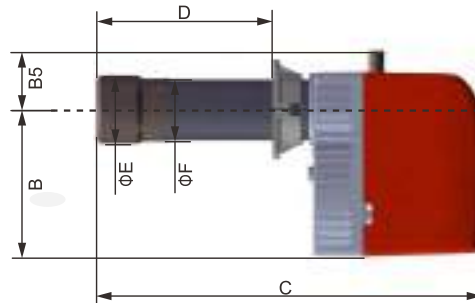
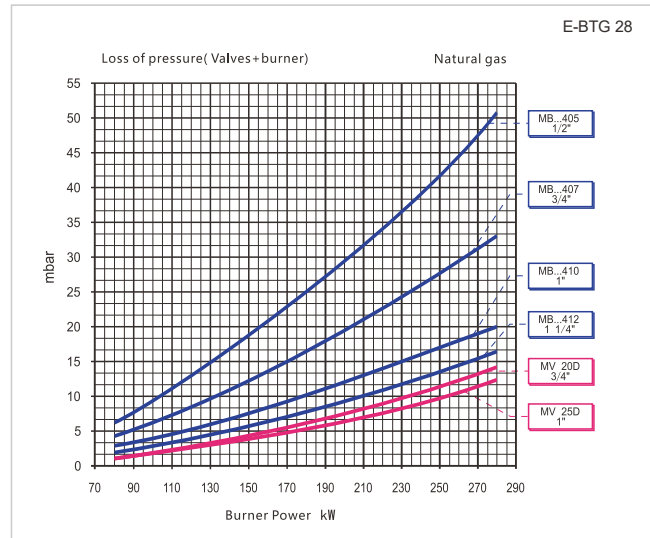


Fig.3



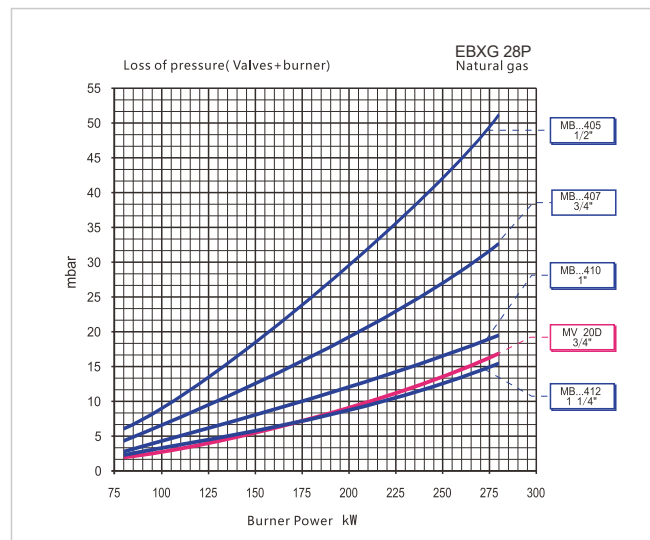
## E-BTG 28 Natural gas

Curve	Valves code	Max pressure mbar	Filter pressure regulator	Drawing number	Remark
MB...405 (1/2")	Matching	360	included	F1	LPG
MB...407 (3/4")	Matching	360	included	F1	
MB...410 (1")	Matching	360	included	F1	
MB...412 (1 1/4")	Matching	360	included	F1	
MV...20D (3/4")	-	40	-	Q8	LPG
MV...25D (1")	-	40	-	Q8	



## E-BTG 28P Natural gas

Curve	Valves code	Max pressure mbar	Filter pressure regulator	Figure No.	Remark
MB...405 (1/2")	Matching	360	included	YQ2	LPG
MB...407 (3/4")	Matching	360	included	YQ2	
MB...410 (1")	Matching	360	included	YQ2	
MB...412 (1 1/4")	Matching	360	included	YQ2	
MV...20D (3/4")	-	40	-	Q8	LPG



# E-TBG 35/35P/35MC 80~410kW

Single-stage/Two-stage Progressive/Proportional Modulation Gas Burners



Fig.1



Fig.2

## Technological performance and structural descriptions

- ▶ Single-stage / two-stage fire operation (on / off).
- ▶ The emission reaches the European standard CLASS II.
- ▶ Air and gas are mixed in the burner head.
- ▶ The best combustion parameters can be obtained by adjusting the combustion air and the combustion head.
- ▶ Proportional regulation operation can be performed through the automatic P.I.D regulator (the regulator and related accessories need to be ordered separately).
- ▶ The progressive proportional type uses a servo motor to adjust the air flow.
- ▶ Hinge connection allows burner maintenance without removing the burner.
- ▶ Detect the pressure signal through the wind pressure switch to ensure the normal operation of the fan and normal air supply.
- ▶ The single-phase motor drives the fan.
- ▶ Ionization electrodes detect the flame.
- ▶ Standard electrical protection level IP40.
- ▶ Two-stage progressive electrical protection level IP55.

Model	Power kW	Power supply	Motor power kW	Packing Size LxPxH mm	Net weight kg
E-TBG 35	80~410	230V 50Hz	0.37	1030x510x410	38
E-TBG 35P	80~410	230V 50Hz	0.37	1030x510x410	38
E-TBG 35MC	80~410	230V 50Hz	0.37	1030x510x410	38

## Alternative functions

TL is the standard model, the combustion tube can be lengthened and 60Hz can be customized.

## Proportional adjustment function

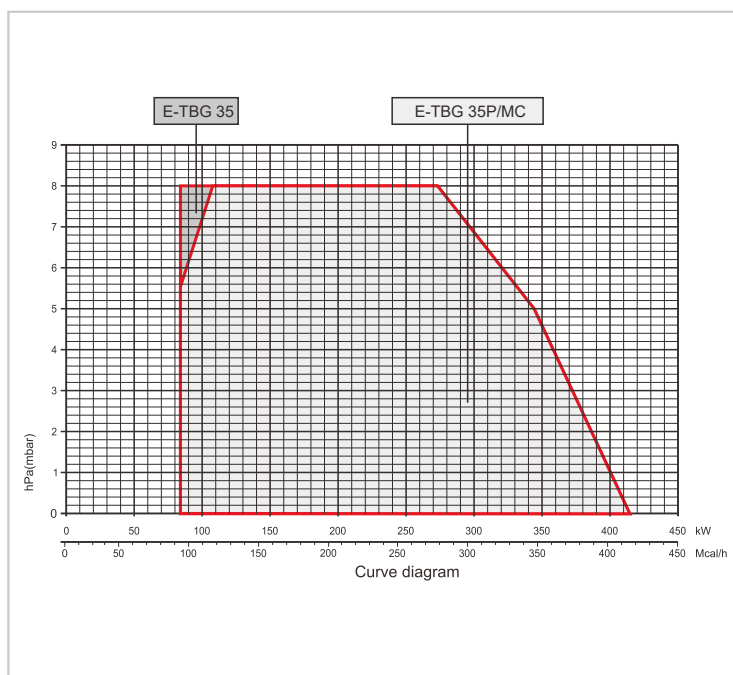
If order the proportional regulator RWF40 or DC1020 and the regulating components, the burner can be operated in proportional regulation.

## Standard accessories

Valve Group -the partnership with the boiler

## Remark

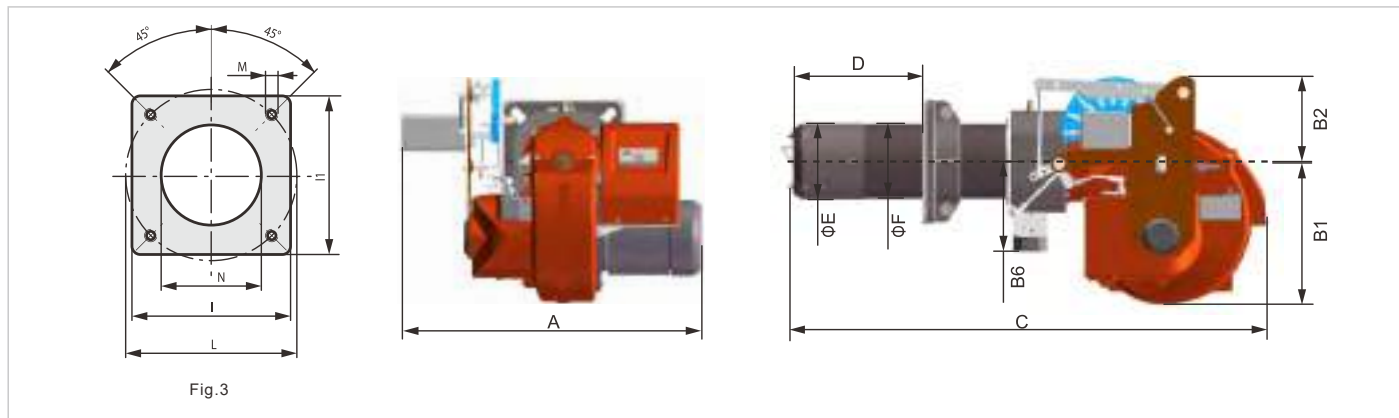
1. Equipped with air shut-off device.
  2. Alternative functions.
- \*) Minimum pressure at the valve group inlet required for the burner to reach maximum output when the back pressure in the combustion chamber is zero.
- \*\*\*) The maximum allowable gas pressure at the inlet of the valve group.



# E-TBG 35/35P/35MC 80~410kW

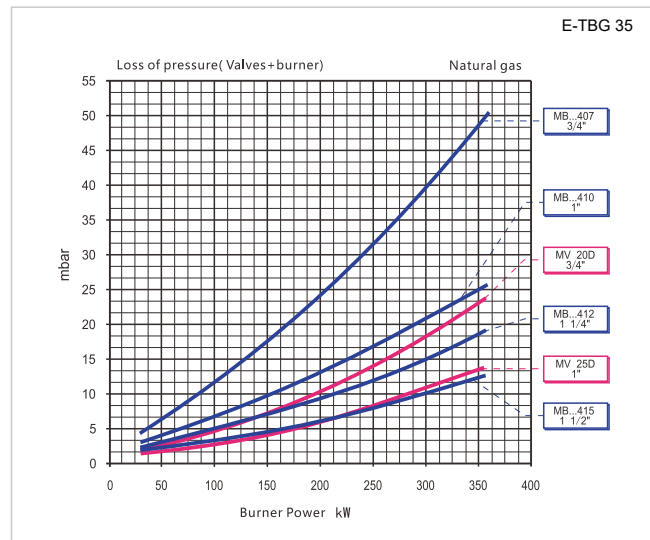
Technical parameters and valve group

Model	A mm	B1 mm	B2 mm	B6 mm	C mm	D mm	E mm	F mm	I mm	I1 mm	L mm	N mm	M mm	Figure No.
E-TBG 35	440	270	110	160	860	140~300	135	133	215	215	200~245	145	M12	Fig.3
E-TBG 35P	440	270	110	160	860	140~300	135	133	215	215	200~245	145	M12	Fig.3
E-TBG 35MC	532	270	152	160	860	140~300	135	133	215	215	200~245	145	M12	Fig.3



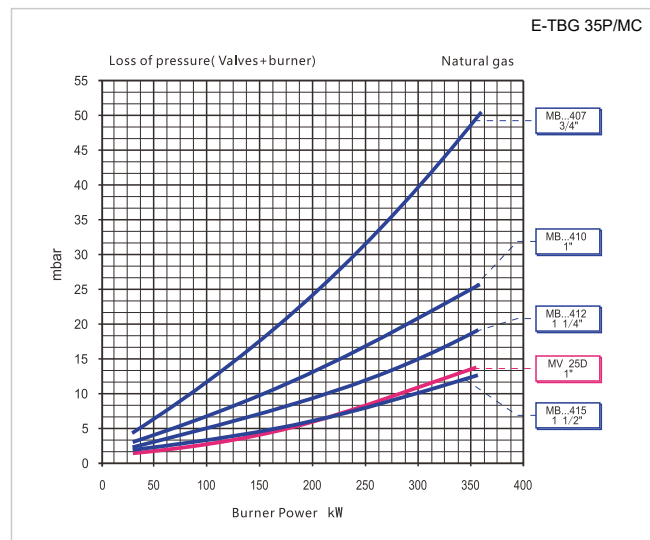
## E-TBG 35 Natural gas

Curve	Valves code	Max pressure mbar	Filter pressure regulator	Figure No.	Remark
MB...405 (1/2")	Matching	360	included	F1	LPG
MB...410 (1")	Matching	360	included	F1	
MB...412 (1 1/4")	Matching	360	included	F1	
MB...415 (1 1/2")	Matching	360	included	F1	
MV...20D (3/4")	-	40	-	Q8	LPG
MV...20D (1")	-	40	-	Q8	



## E-TBG 35P/MC Natural gas

Curve	Valves code	Max pressure mbar	Filter pressure regulator	Figure No.	Remark
MB...407 (1/4")	Matching	360	included	Q1	LPG
MB...410 (1")	Matching	360	included	Q1	
MB...412 (1 1/4")	Matching	360	included	Q1	
MB...415 (1 1/2")	Matching	360	included	Q1	
MV...20D (1")	-	40	-	Q8	LPG



# E-TBG 45/45P/45MC 100~450kW

Single-stage/Two-stage Progressive/Proportional Modulation Gas Burners



Fig.1



Fig.2

0.5T

## Technological performance and structural descriptions

- ▶ Single-stage / two-stage fire operation (on / off).
- ▶ The emission reaches the European standard CLASS II.
- ▶ Air and gas are mixed in the burner head.
- ▶ The best combustion parameters can be obtained by adjusting the combustion air and the combustion head.
- ▶ Proportional regulation operation can be performed through the automatic P.I.D regulator (the regulator and related accessories need to be ordered separately).
- ▶ The progressive proportional type uses a servo motor to adjust the air flow.
- ▶ Hinge connection allows burner maintenance without removing the burner.
- ▶ Detect the pressure signal through the wind pressure switch to ensure the normal operation of the fan and normal air supply.
- ▶ The single-phase motor drives the fan.
- ▶ Ionization electrodes detect the flame.
- ▶ Standard electrical protection level IP40.
- ▶ Two-stage progressive electrical protection level IP55.

Model	Power kW	Power supply	Motor power kW	Packing Size LxPxH mm	Net weight kg
E-TBG 45	100~450	230V 50Hz	0.5	970x570x480	40
E-TBG 45P	100~450	230V 50Hz	0.5	970x570x480	40
E-TBG 45MC	100~450	230V 50Hz	0.5	970x570x480	40

## Alternative functions

TL is the standard model, the combustion tube can be lengthened and 60Hz can be customized.

## Proportional adjustment function

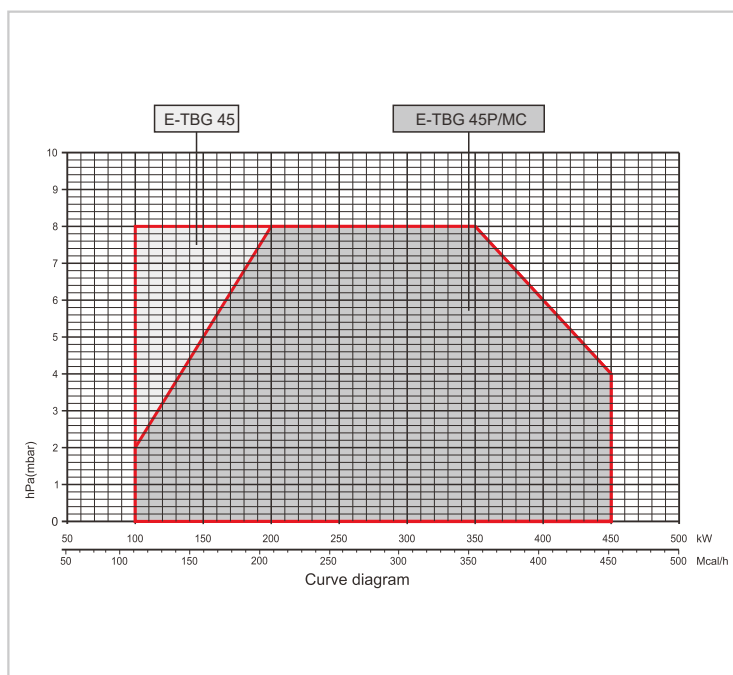
If order the proportional regulator RWF40 or DC1020 and the regulating components, the burner can be operated in proportional regulation.

## Standard accessories

Valve Group -the partnership with the boiler

## Remark

1. Equipped with air shut-off device.
  2. Alternative functions.
- \*) Minimum pressure at the valve group inlet required for the burner to reach maximum output when the back pressure in the combustion chamber is zero.
- \*\*\*) The maximum allowable gas pressure at the inlet of the valve group.

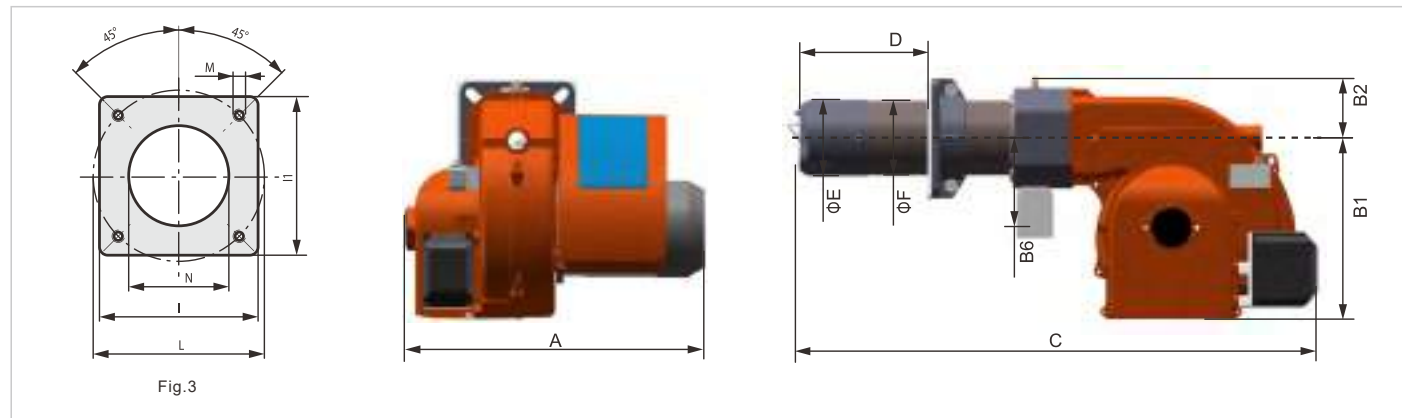


# E-TBG 45/45P/45MC 100~450kW

Technical parameters and valve group

0.5T

Model	A mm	B1 mm	B2 mm	B6 mm	C mm	D mm	E mm	F mm	I mm	I1 mm	L mm	N mm	M mm	Figure No.
E-TBG 45	480	325	110	160	900	140~300	135	133	215	215	200~245	145	M12	Fig.3
E-TBG 45P	550	325	110	160	940	140~300	135	133	215	215	200~245	145	M12	Fig.3
E-TBG 45MC	642	325	152	160	900	140~300	135	133	215	215	200~245	145	M12	Fig.3

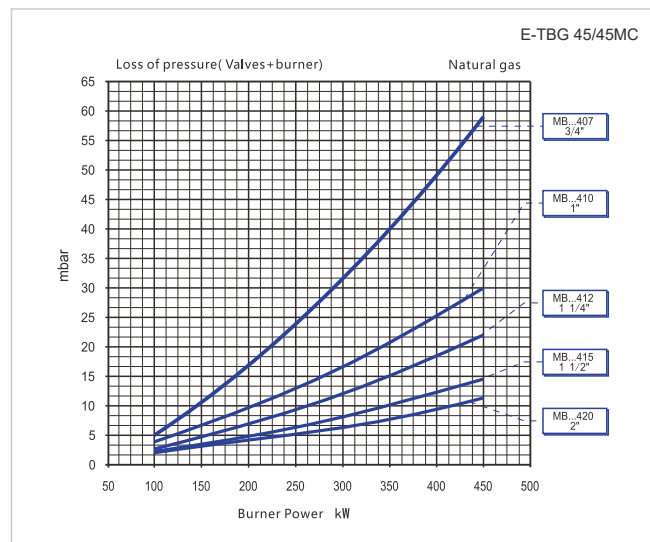


E-TBG 45 Natural gas

Curve	Valves code	Max pressure mbar	Filter pressure regulator	Figure No.	Remark
MB...407 (3/4")	Matching	360	included	F1	
MB...410 (1")	Matching	360	included	F1	
MB...412 (1 1/4")	Matching	360	included	F1	
MB...415 (1 1/2")	Matching	360	included	F1	
MB...420 (2")	Matching	360	included	F1	

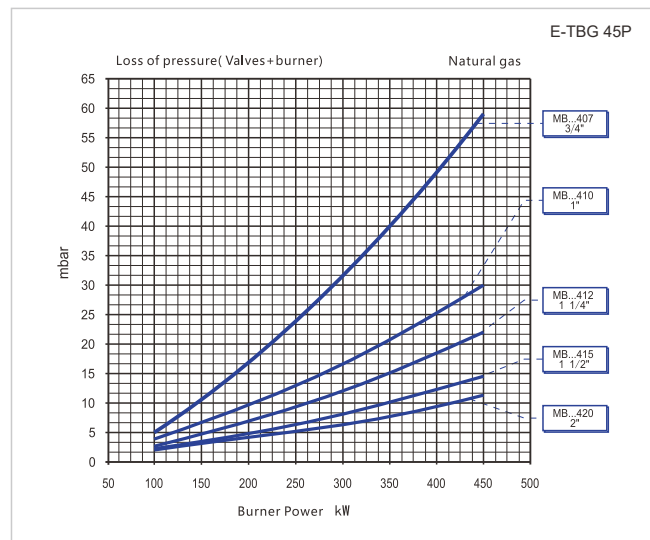
E-TBG 45MC Natural gas

Curve	Valves code	Max pressure mbar	Filter pressure regulator	Figure No.	Remark
MB...407 (3/4")	Matching	360	included	Q1	
MB...410 (1")	Matching	360	included	Q1	
MB...412 (1 1/4")	Matching	360	included	Q1	
MB...415 (1 1/2")	Matching	360	included	Q1	
MB...420 (2")	Matching	360	included	Q1	



E-TBG 45P Natural gas

Curve	Valves code	Max pressure mbar	Filter pressure regulator	Figure No.	Remark
MB...407 (3/4")	Matching	360	included	YQ2	
MB...410 (1")	Matching	360	included	YQ2	
MB...412 (1 1/4")	Matching	360	included	YQ2	
MB...415 (1 1/2")	Matching	360	included	YQ2	
MB...420 (2")	Matching	360	included	YQ2	



# E-TBG 60/60P/60MC 120~600kW

Single-stage/Two-stage Progressive/Proportional Modulation Gas Burners



E-TBG 60  
Fig.1



E-TBG 60P  
Fig.2



E-TBG 60MC  
Fig.3

0.6T

## Technological performance and structural descriptions

- ▶ Single-stage / two-stage fire operation (on / off).
- ▶ The emission reaches the European standard CLASS II.
- ▶ Air and gas are mixed in the burner head.
- ▶ The best combustion parameters can be obtained by adjusting the combustion air and the combustion head.
- ▶ Proportional regulation operation can be performed through the automatic P.I.D regulator (the regulator and related accessories need to be ordered separately).
- ▶ The progressive proportional type uses a servo motor to adjust the air flow.
- ▶ Hinge connection allows burner maintenance without removing the burner.
- ▶ Detect the pressure signal through the wind pressure switch to ensure the normal operation of the fan and normal air supply.
- ▶ The single-phase motor drives the fan.
- ▶ Ionization electrodes detect the flame.
- ▶ Standard electrical protection level IP40.
- ▶ Two-stage progressive electrical protection level IP55.

Model	Power kW	Power supply	Motor power kW	Packing Size LxPxH mm	Net weight kg
E-TBG 60	120~600	380V 50Hz	0.75	970x570x480	42
E-TBG 60P	120~600	380V 50Hz	0.75	970x570x480	42
E-TBG 60MC	120~600	380V 50Hz	0.75	970x570x480	42

## Alternative functions

TL is the standard model, the combustion tube can be lengthened and 60Hz can be customized.

## Proportional adjustment function

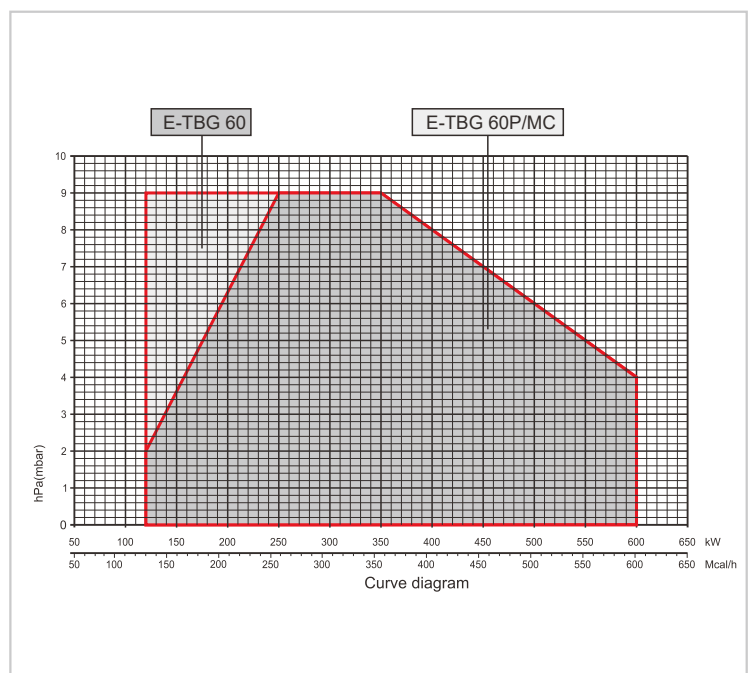
If order the proportional regulator RWF40 or DC1020 and the regulating components, the burner can be operated in proportional regulation.

## Standard accessories

Valve Group -the partnership with the boiler

## Remark

1. Equipped with air shut-off device.
  2. Alternative functions.
- \*) Minimum pressure at the valve group inlet required for the burner to reach maximum output when the back pressure in the combustion chamber is zero.
- \*\*\*) The maximum allowable gas pressure at the inlet of the valve group.

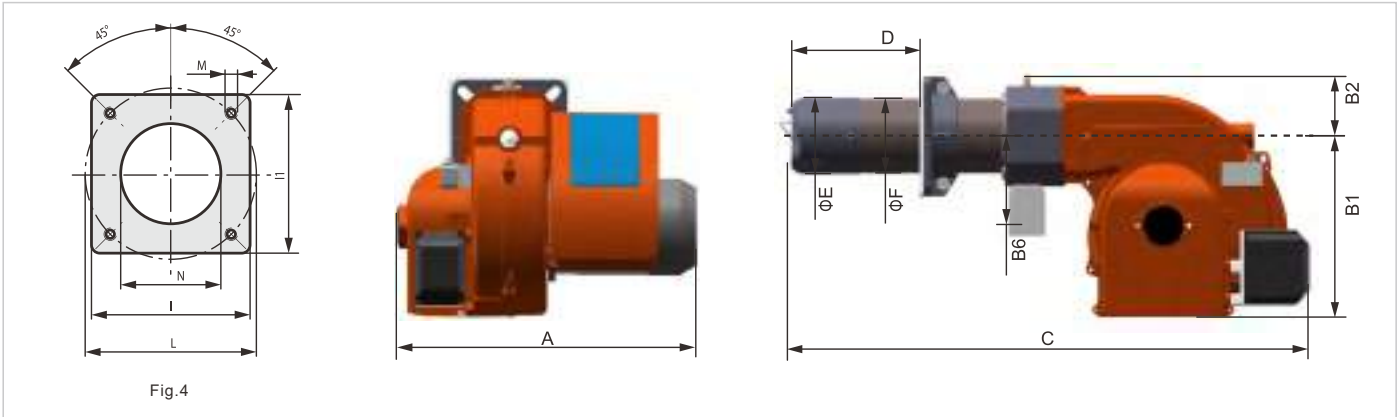


# E-TBG 60/60P/60MC 120~600kW

Technical parameters and valve group

0.6T

Model	A mm	B1 mm	B2 mm	B6 mm	C mm	D mm	E mm	F mm	I mm	I1 mm	L mm	N mm	M mm	Figure No.
E-TBG 60	480	325	130	160	900	140~300	156	152	260	260	225~300	160	M12	Fig.4
E-TBG 60P	550	325	130	160	940	140~300	156	152	260	260	225~300	160	M12	Fig.4
E-TBG 60MC	642	325	152	160	900	140~300	156	152	260	260	225~300	160	M12	Fig.4

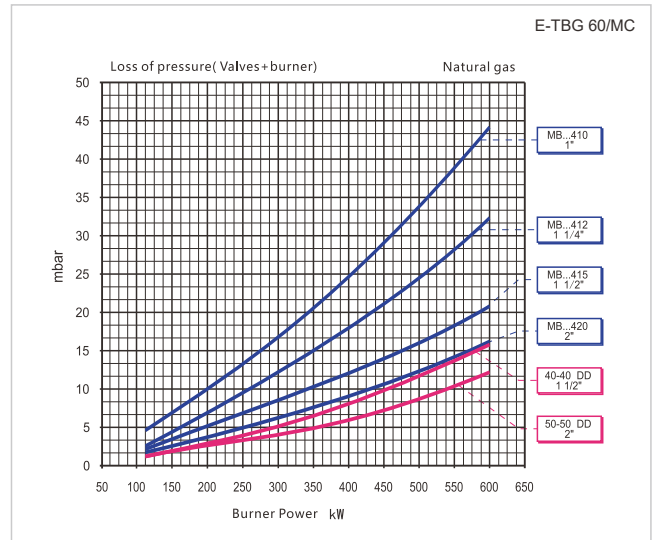


E-TBG 60 Natural gas

Curve	Valves code	Max pressure mbar	Filter pressure regulator	Figure No.	Remark
MB...410 (1")	Matching	360	included	F1	
MB...412 (1 1/4")	Matching	360	included	F1	
MB...415 (1 1/2")	Matching	360	included	F1	
MB...420 (2")	Matching	360	included	F1	
40-40 DD (1 1/2")	-	140	-	F2	
50-50 DD (2")	-	140	-	F2	

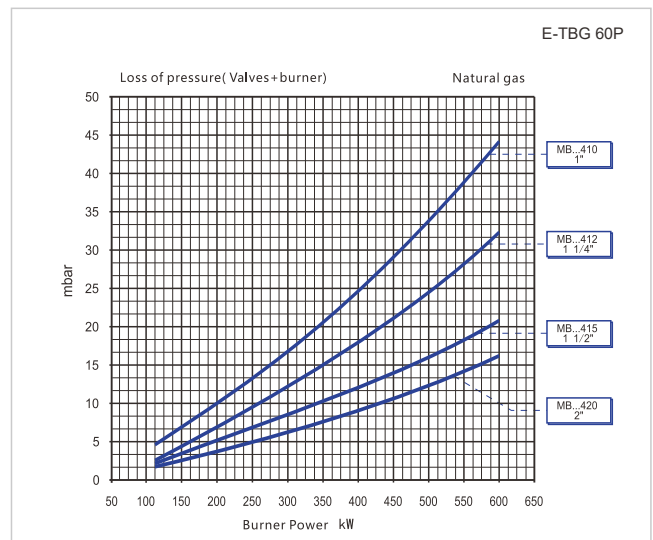
E-TBG 60MC Natural gas

Curve	Valves code	Max pressure mbar	Filter pressure regulator	Figure No.	Remark
MB...410 (1")	Matching	360	included	Q1	
MB...412 (1 1/4")	Matching	360	included	Q1	
MB...415 (1 1/2")	Matching	360	included	Q1	
MB...420 (2")	Matching	360	included	Q1	
40-40 DD (1 1/2")	-	140	-	F3	
50-50 DD (2")	-	140	-	F3	



E-TBG 60P Natural gas

Curve	Valves code	Max pressure mbar	Filter pressure regulator	Figure No.	Remark
MB...410 (1")	Matching	360	included	YQ2	
MB...412 (1 1/4")	Matching	360	included	YQ2	
MB...415 (1 1/2")	Matching	360	included	YQ2	
MB...420 (2")	Matching	360	included	YQ2	



# E-TBG 85P/85MC 130~850kW

Single-stage/Two-stage Progressive/Proportional Modulation Gas Burners



Fig.1



Fig.2

1T

## Technological performance and structural descriptions

- ▶ 1.Single-stage / two-stage fire operation (on / off).
- ▶ 2.The emission reaches the European standard CLASS II.
- ▶ 3.Air and gas are mixed in the burner head.
- ▶ 4.The best combustion parameters can be obtained by adjusting the combustion air and the combustion head.
- ▶ 5.Proportional regulation operation can be performed through the automatic P.I.D regulator (the regulator and related accessories need to be ordered separately).
- ▶ 6.The progressive proportional type uses a servo motor to adjust the air flow.
- ▶ 7.Hinge connection allows burner maintenance without removing the burner.
- ▶ 8.Detect the pressure signal through the wind pressure switch to ensure the normal operation of the fan and normal air supply.
- ▶ 9.The three-phase motor drives the fan.
- ▶ 10.Ionization electrodes detect the flame.
- ▶ 11.Standard electrical protection level IP55.

Model	Power kW	Power supply	Motor power kW	Packing Size LxPxH mm	Net weight kg
E-TBG 85P	170~850	380V 50Hz	1.1	1070x800x700	78
E-TBG 85MC	170~850	380V 50Hz	1.1	1070x800x700	78

## Alternative functions

TL is the standard model, the combustion tube can be lengthened and 60Hz can be customized.

## Proportional adjustment function

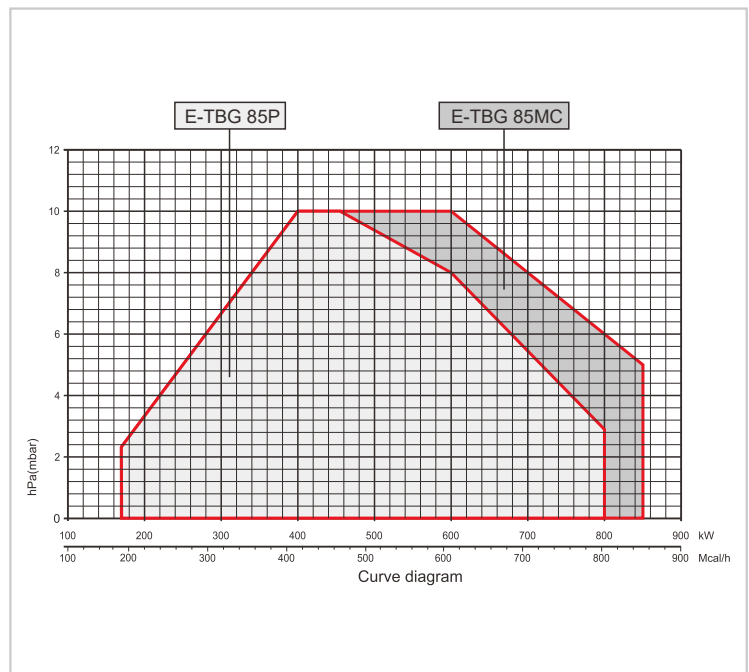
If order the proportional regulator RWF40 or DC1020 and the regulating components, the burner can be operated in proportional regulation.

## Standard accessories

Valve Group -the partnership with the boiler

## Remark

1. Equipped with air shut-off device.
  2. Alternative functions.
- \*) Minimum pressure at the valve group inlet required for the burner to reach maximum output when the back pressure in the combustion chamber is zero.
- \*\*\*) The maximum allowable gas pressure at the inlet of the valve group.

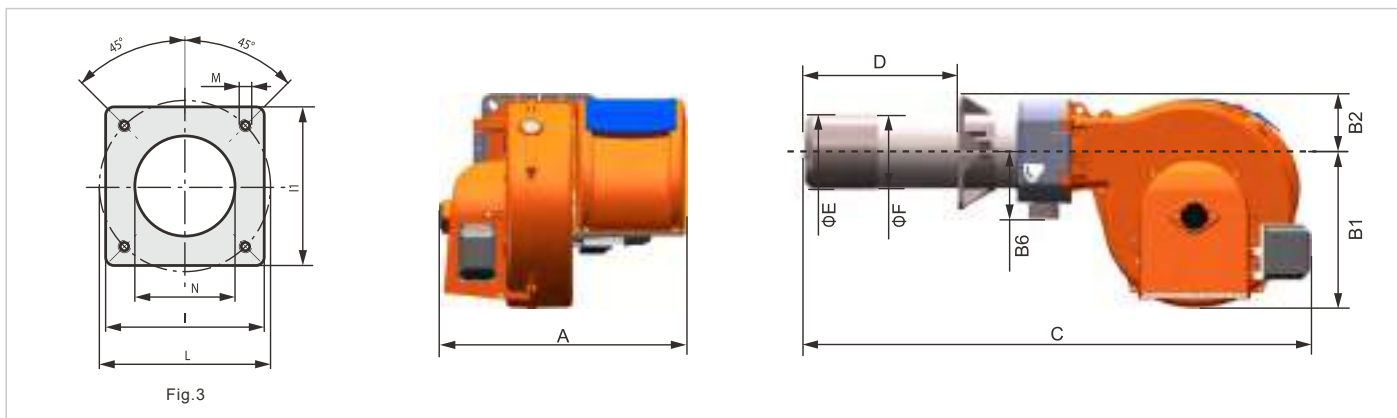


# E-TBG 85P/85MC 130~850kW

Technical parameters and valve group

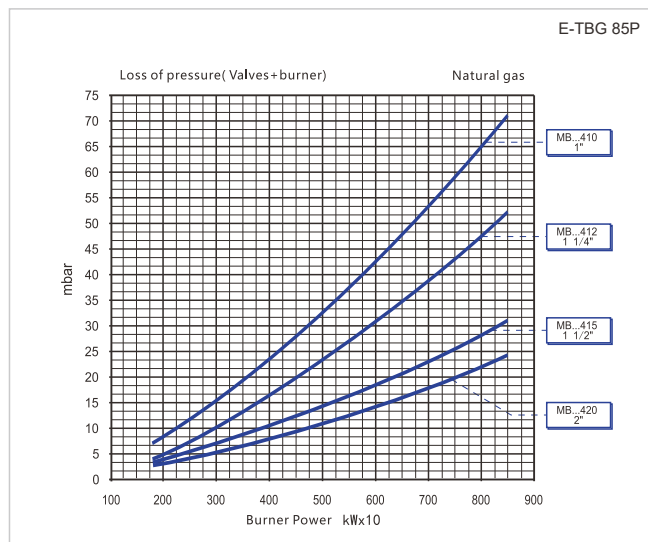
1T

Model	A mm	B1 mm	B2 mm	B6 mm	C mm	D mm	E mm	F mm	I mm	I1 mm	L mm	N mm	M mm	Figure No.
E-TBG 85P	610	380	140	160	1230	175~400	180	178	280	280	250~325	190	M12	Fig.3
E-TBG 85MC	675	380	140	160	1230	175~400	180	178	280	280	250~325	190	M12	Fig.3



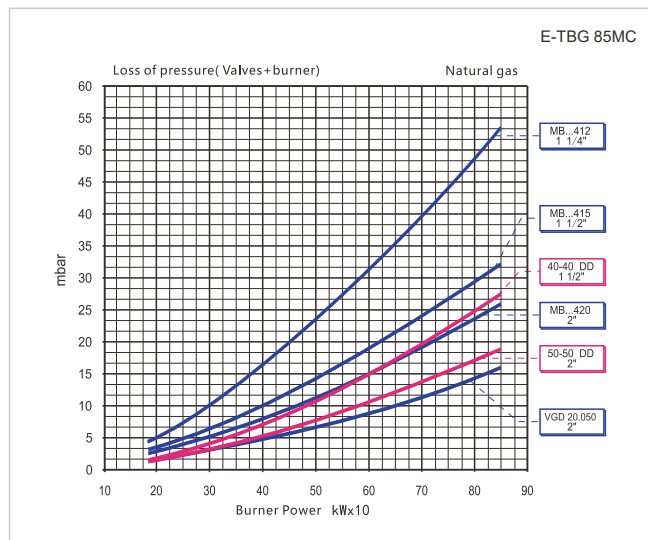
## E-TBG 85P Natural gas

Curve	Valves code	Max pressure mbar	Filter pressure regulator	Figure No.	Remark
MB...410 (1")	Matching	360	included	Q1	
MB...412 (1 1/4")	Matching	360	included	Q1	LPG
MB...415 (1 1/2")	Matching	360	included	Q1	
MB...420 (2")	Matching	360	included	Q1	



## E-TBG 85MC Natural gas

Curve	Valves code	Max pressure mbar	Filter pressure regulator	Figure No.	Remark
MB...412 (1 1/4")	Matching	360	included	Q1	
MB...415 (1 1/2")	Matching	360	included	Q1	
MB...420 (2")	Matching	360	included	Q1	
VGD 20.050 (2")	-	500	-	Q1	
MBE 050 (2")	-	500	-	D5	



# E-TBG 85LX ME/85ME 130~850kW

Single-stage/Two-stage Progressive/Proportional Modulation Gas Burners



Fig.1



Fig.2

1T

## Technological performance and structural descriptions

- ▶ Two-stage fire progressive operation (on / off).
- ▶ The emission reaches the European standard CLASS II.
- ▶ Air and gas are mixed in the burner.
- ▶ By adjusting the combustion air and the combustion head, you can The best combustion parameters are obtained.
- ▶ Through the automatic P.I.D regulator, the proportion can be carried out. Adjust the operation.(together with the adjustment assembly Line order).
- ▶ Progressive proportional regulation by servomotor Air flow rate.
- ▶ Thinged connection, no need to remove the burner Maintain the burner.
- ▶ Air pressure switch to ensure that there is combustion air.
- ▶ The three-phase motor drives the fan.
- ▶ The ionization electrode detects the flame.
- ▶ Standard electrical protection grade IP55.

Model	Power kW	Power supply	Motor power kW	Packing Size LxPxH mm	Net weight kg
E-TBG 85LX ME	130~800	380V 50Hz	1.1	1070x800x700	78
E-TBG 85ME	130~800	380V 50Hz	1.1	1070x800x700	78

## Alternative functions

TL is the standard model, the combustion tube can be lengthened and 60Hz can be customized.

## Proportional adjustment function

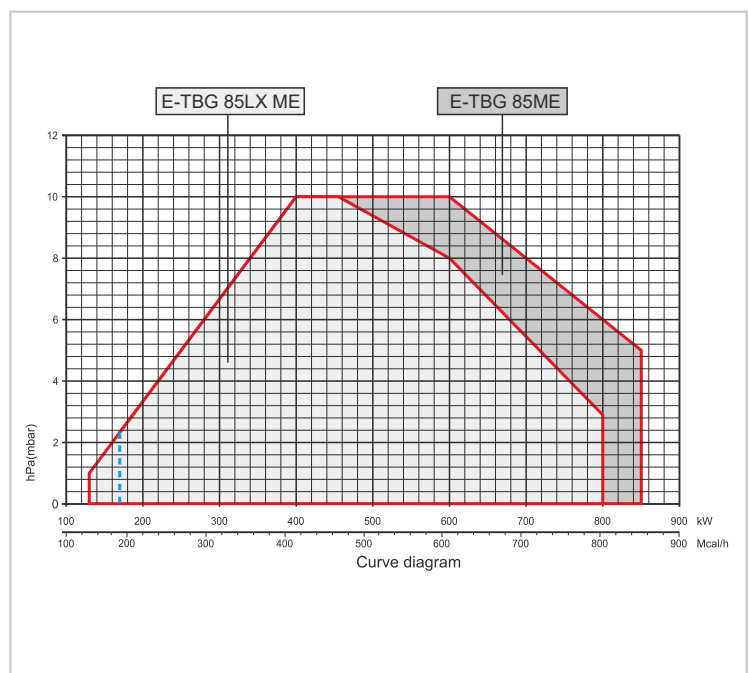
If order the proportional regulator RWF40 or DC1020 and the regulating components, the burner can be operated in proportional regulation.

## Standard accessories

Valve Group -the partnership with the boiler

## Remark

1. Equipped with air shut-off device.
  2. Alternative functions.
- \*) Minimum pressure at the valve group inlet required for the burner to reach maximum output when the back pressure in the combustion chamber is zero.
- \*\*\*) The maximum allowable gas pressure at the inlet of the valve group.

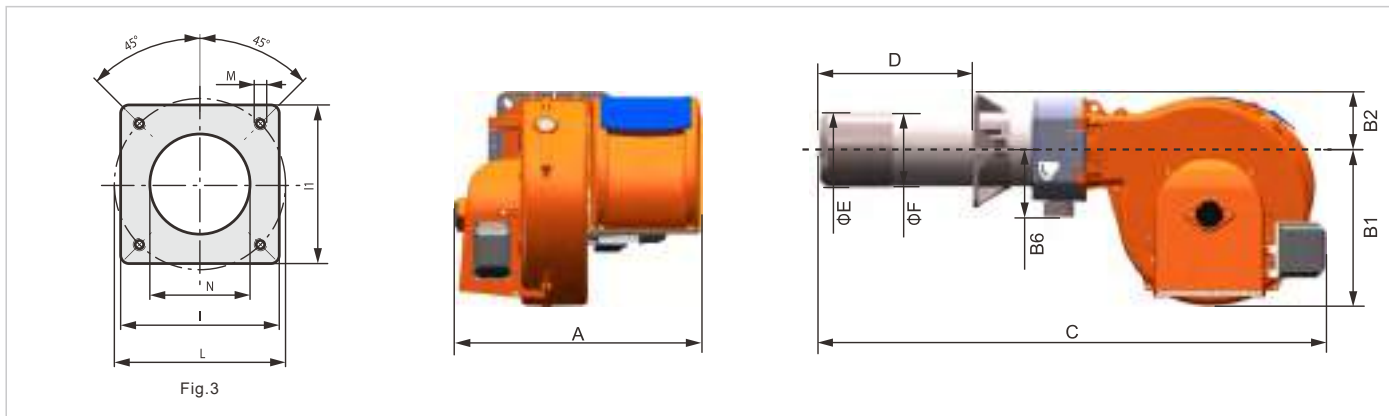


# E-TBG 85LX ME/85ME 130~850kW

Technical parameters and valve group

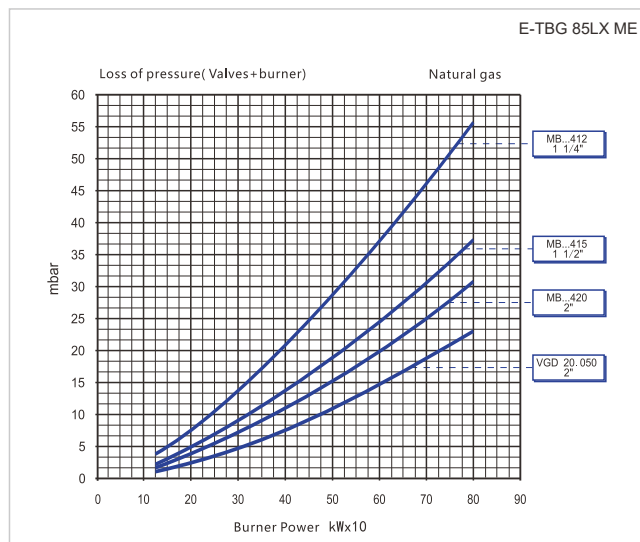
1T

Model	A mm	B1 mm	B2 mm	B6 mm	C mm	D mm	E mm	F mm	I mm	I1 mm	L mm	N mm	M mm	Figure No.
E-TBG 85LX ME	610	380	140	200	1265	175~400	180	178	280	280	250~325	190	M12	Fig.3
E-TBG 85ME	610	380	140	200	1265	175~400	180	178	280	280	250~325	190	M12	Fig.3



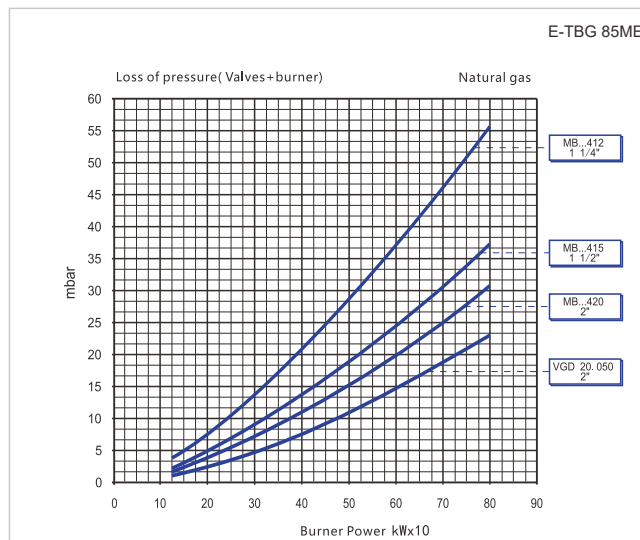
## E-TBG 85LX ME Natural gas

Curve	Valves code	Max pressure mbar	Filter pressure regulator	Figure No.	Remark
MB...412 (1 1/4")	included	360	included	Q2	
MB...415 (1 1/2")	included	360	included	Q2	LPG
MB...420 (2")	included	360	included	Q2	
VGD 20.050 (2")	included	500	included	Q3	



## E-TBG 85ME Natural gas

Curve	Valves code	Max pressure mbar	Filter pressure regulator	Figure No.	Remark
MB...412 (1 1/4")	included	360	included	Q2	
MB...415 (1 1/2")	included	360	included	Q2	LPG
MB...420 (2")	included	360	included	Q2	
VGD 20.050 (2")	included	500	included	Q3	



# E-TBG 110LX ME/120ME 180~1200kW

Single-stage/Two-stage Progressive/Proportional Modulation Gas Burners



Fig.1



Fig.2

1.2T

## Technological performance and structural descriptions

- ▶ Single-stage / two-stage fire operation (on / off).
- ▶ The emission reaches the European standard CLASS II.
- ▶ Air and gas are mixed in the burner head.
- ▶ The best combustion parameters can be obtained by adjusting the combustion air and the combustion head.
- ▶ Proportional regulation operation can be performed through the automatic P.I.D regulator (the regulator and related accessories need to be ordered separately).
- ▶ The progressive proportional type uses a servo motor to adjust the air flow.
- ▶ Hinge connection allows burner maintenance without removing the burner.
- ▶ Detect the pressure signal through the wind pressure switch to ensure the normal operation of the fan and normal air supply.
- ▶ The three-phase motor drives the fan.
- ▶ Ionization electrodes detect the flame.
- ▶ Standard electrical protection level IP55.

Model	Power kW	Power supply	Motor power kW	Packing Size LxPxH mm	Net weight kg
E-TBG 110LX ME	180~1200	380V 50Hz	1.5	1070x800x700	87
E-TBG 120ME	240~1200	380V 50Hz	1.5	1070x800x700	87

## Alternative functions

TL is the standard model, the combustion tube can be lengthened and 60Hz can be customized.

## Proportional adjustment function

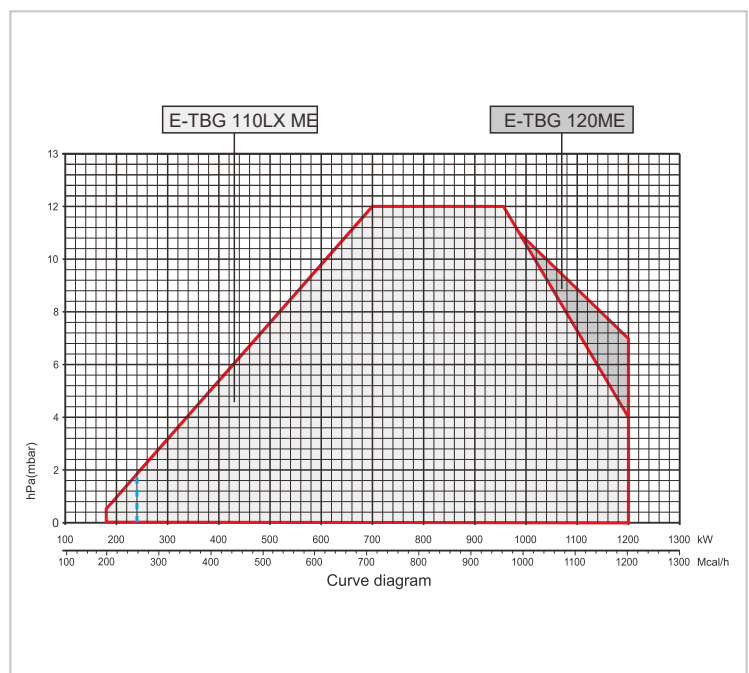
If order the proportional regulator RWF40 or DC1020 and the regulating components, the burner can be operated in proportional regulation.

## Standard accessories

Valve Group -the partnership with the boiler

## Remark

1. Equipped with air shut-off device.
  2. Alternative functions.
- \*) Minimum pressure at the valve group inlet required for the burner to reach maximum output when the back pressure in the combustion chamber is zero.
- \*\*\*) The maximum allowable gas pressure at the inlet of the valve group.

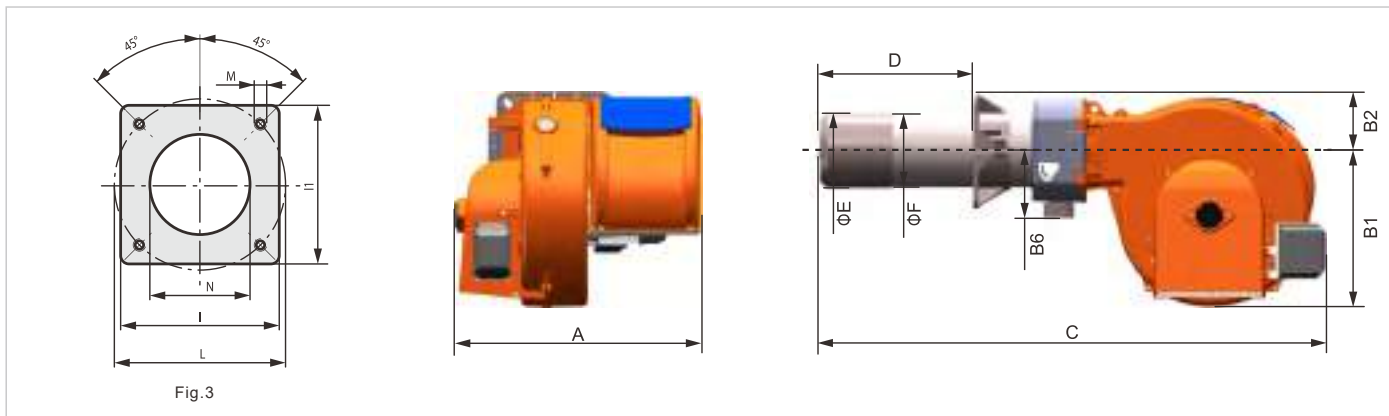


# E-TBG 110LX ME/120ME 130~1200kW

Technical parameters and valve group

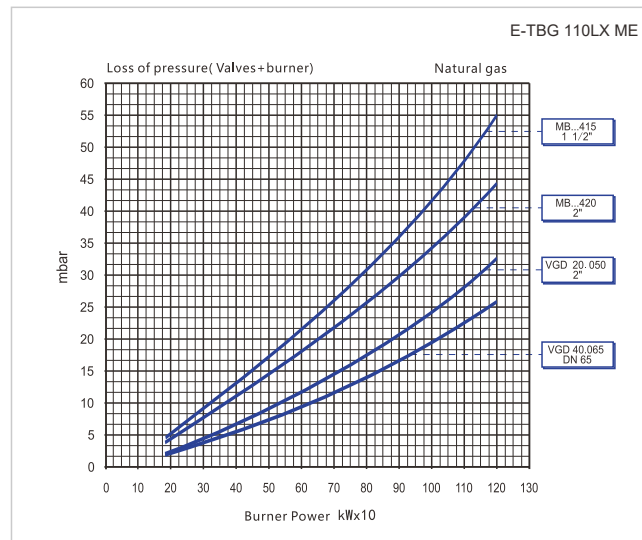
1.2T

Model	A mm	B1 mm	B2 mm	B6 mm	C mm	D mm	E mm	F mm	I mm	I1 mm	L mm	N mm	M mm	Figure No.
E-TBG 110LX ME	610	380	160	200	1315	200~450	224	219	320	320	280~370	235	M12	Fig.3
E-TBG 120ME	610	380	160	200	1315	200~450	224	219	320	320	280~370	235	M12	Fig.3



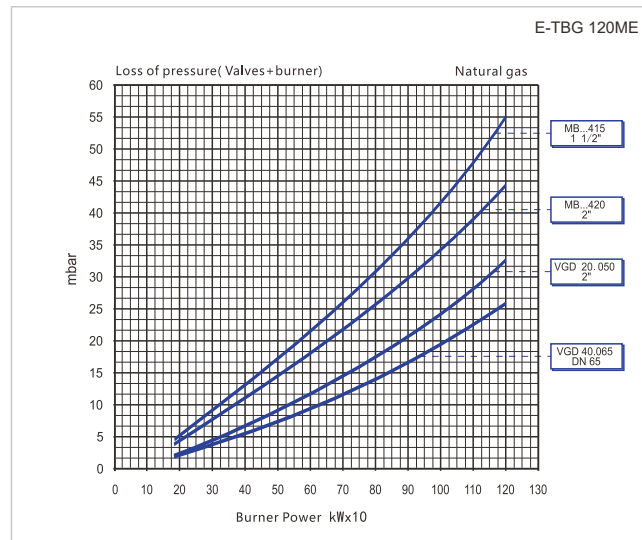
E-TBG 110LX ME Natural gas

Curve	Valves code	Max pressure mbar	Filter pressure regulator	Figure No.	Remark
MB...415 (1 1/2")	included	360	included	Q1	
MB...420 (2")	included	360	included	Q1	
VGD 20.050 (2")	included	500	included	Q1	
VGD 20.065 (DN65)	included	500	included	Q1	



E-TBG 120ME Natural gas

Curve	Valves code	Max pressure mbar	Filter pressure regulator	Figure No.	Remark
MB...415 (1 1/2")	included	360	included	Q2	
MB...420 (2")	included	360	included	Q2	
VGD 20.050 (2")	included	500	included	Q3	
VGD 20.065 (DN65)	included	500	included	Q3	



# E-TBG 120P/120MC 240~1200kW

Single-stage/Two-stage Progressive/Proportional Modulation Gas Burners



Fig.1



Fig.2

1.2T

## Technological performance and structural descriptions

- ▶ Single-stage / two-stage fire operation (on / off).
- ▶ The emission reaches the European standard CLASS II.
- ▶ Air and gas are mixed in the burner head.
- ▶ The best combustion parameters can be obtained by adjusting the combustion air and the combustion head.
- ▶ Proportional regulation operation can be performed through the automatic P.I.D regulator (the regulator and related accessories need to be ordered separately).
- ▶ The progressive proportional type uses a servo motor to adjust the air flow.
- ▶ Hinge connection allows burner maintenance without removing the burner.
- ▶ Detect the pressure signal through the wind pressure switch to ensure the normal operation of the fan and normal air supply.
- ▶ The three-phase motor drives the fan.
- ▶ Ionization electrodes detect the flame.
- ▶ Standard electrical protection level IP55.

Model	Power kW	Power supply	Motor power kW	Packing Size LxPxH mm	Net weight kg
E-TBG 120P	240~1200	380V 50Hz	1.5	1070x800x700	87
E-TBG 120MC	240~1200	380V 50Hz	1.5	1070x800x700	87

## Alternative functions

TL is the standard model, the combustion tube can be lengthened and 60Hz can be customized.

## Proportional adjustment function

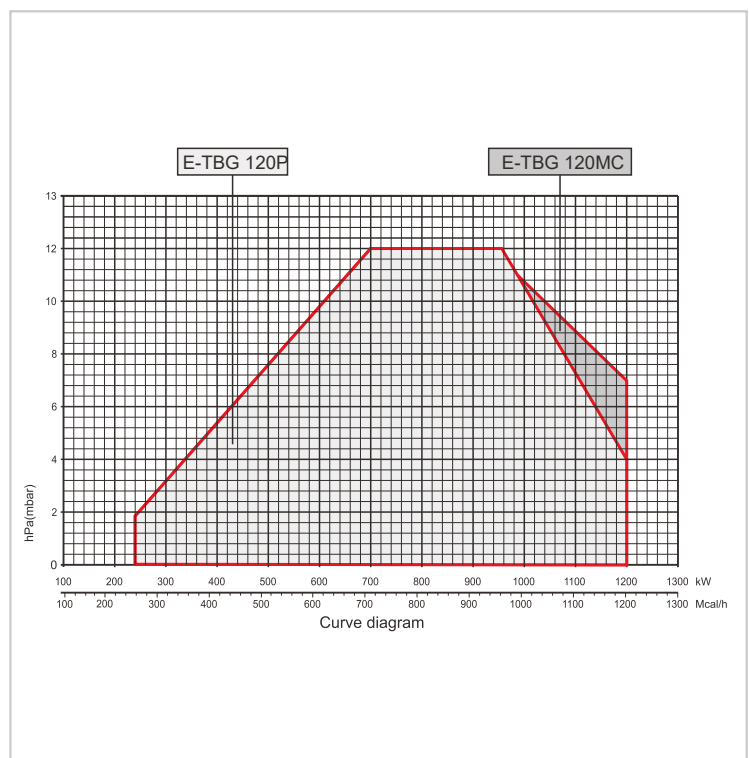
If order the proportional regulator RWF40 or DC1020 and the regulating components, the burner can be operated in proportional regulation.

## Standard accessories

Valve Group -the partnership with the boiler.

## Remark

- 1) Equipped with a device to close the air damper during controlled shutdown.
- \*) The minimum pressure at the valve group inlet required for the burner to reach maximum output when the back pressure in the combustion chamber is zero.
- \*) The maximum gas pressure allowed at the valve group inlet.
- 2) According to the national special equipment safety technical specifications. In the application of the burner in boilers, when the rated output power is greater than 1200kW, the main gas valve group system should be equipped with a valve detection device.

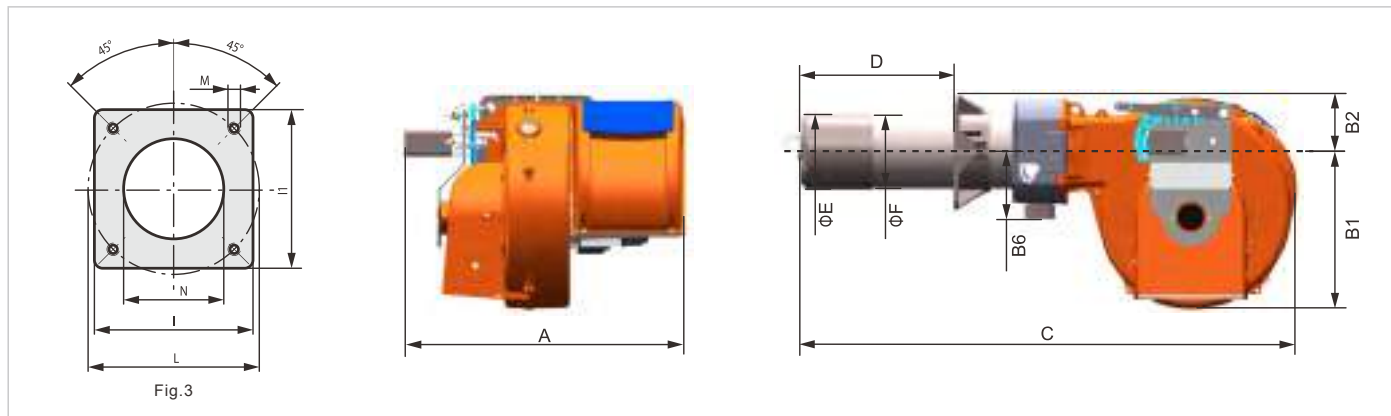


# E-TBG 120P/120MC 240~1200kW

Technical parameters and valve group

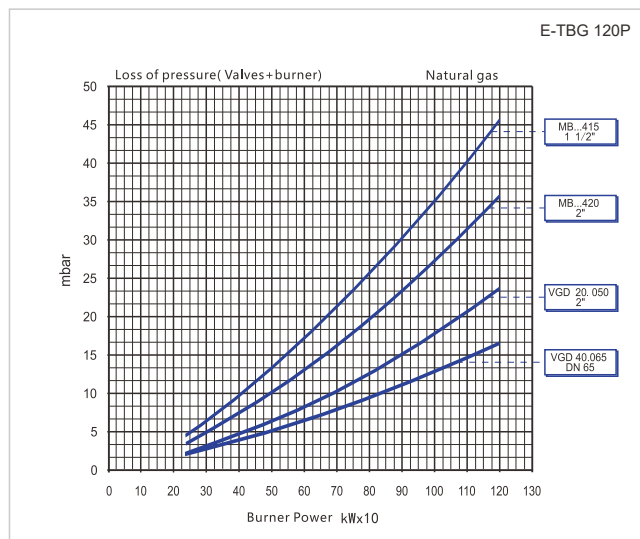
1.2T

Model	A mm	B1 mm	B2 mm	B6 mm	C mm	D mm	E mm	F mm	I mm	I1 mm	L mm	N mm	M mm	Figure No.
E-TBG 120P	690	380	160	200	1280	200~450	224	219	320	320	280~370	235	M12	Fig.3
E-TBG 120MC	690	380	160	200	1280	200~450	224	219	320	320	280~370	235	M12	Fig.3



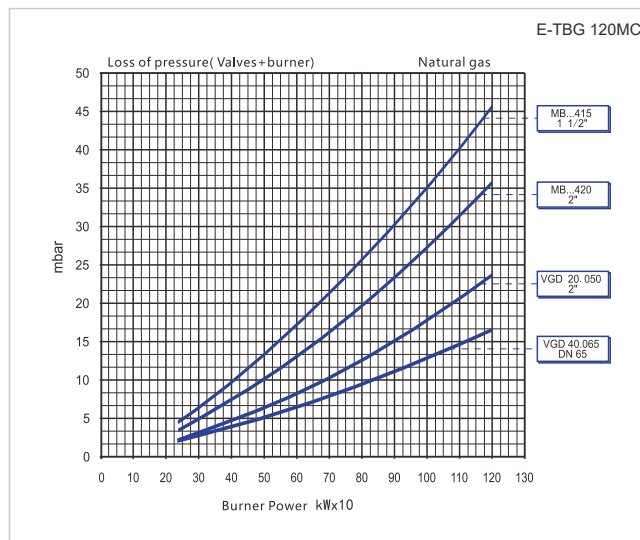
E-TBG 120P Natural gas

Curve	Valves code	Max pressure mbar	Filter pressure regulator	Figure No.	Remark
MB...415 (1 1/2")	included	360	included	Q1	LPG
MB...420 (2")	included	360	included	Q1	
VGD 20.050 (2")	included	500	included	Q1	
VGD 20.065 (DN65)	included	500	included	Q1	



E-TBG 120MC Natural gas

Curve	Valves code	Max pressure mbar	Filter pressure regulator	Figure No.	Remark
MB...415 (1 1/2")	included	360	included	Q1	
MB...420 (2")	included	360	included	Q1	
VGD 20.050 (2")	included	500	included	Q1	
VGD 20.065 (DN65)	included	500	included	Q1	



# E-TBG 150P/150MC 300~1500kW

Single-stage/Two-stage Progressive/Proportional Modulation Gas Burners



Fig.1



Fig.2

1.5T

## Technological performance and structural descriptions

- ▶ Single-stage / two-stage fire operation (on / off).
- ▶ The emission reaches the European standard CLASS II.
- ▶ Air and gas are mixed in the burner head.
- ▶ The best combustion parameters can be obtained by adjusting the combustion air and the combustion head.
- ▶ Proportional regulation operation can be performed through the automatic P.I.D regulator (the regulator and related accessories need to be ordered separately).
- ▶ The progressive proportional type uses a servo motor to adjust the air flow.
- ▶ Hinge connection allows burner maintenance without removing the burner.
- ▶ Detect the pressure signal through the wind pressure switch to ensure the normal operation of the fan and normal air supply.
- ▶ The three-phase motor drives the fan.
- ▶ Ionization electrodes detect the flame.
- ▶ Standard electrical protection level IP55.

Model	Power kW	Power supply	Motor power kW	Packing Size LxPxH mm	Net weight kg
E-TBG 150P	300~1500	380V 50Hz	2.2	1070x800x700	91
E-TBG 150MC	300~1500	380V 50Hz	2.2	1070x800x700	91

## Alternative functions

TL is the standard model, the combustion tube can be lengthened and 60Hz can be customized.

## Proportional adjustment function

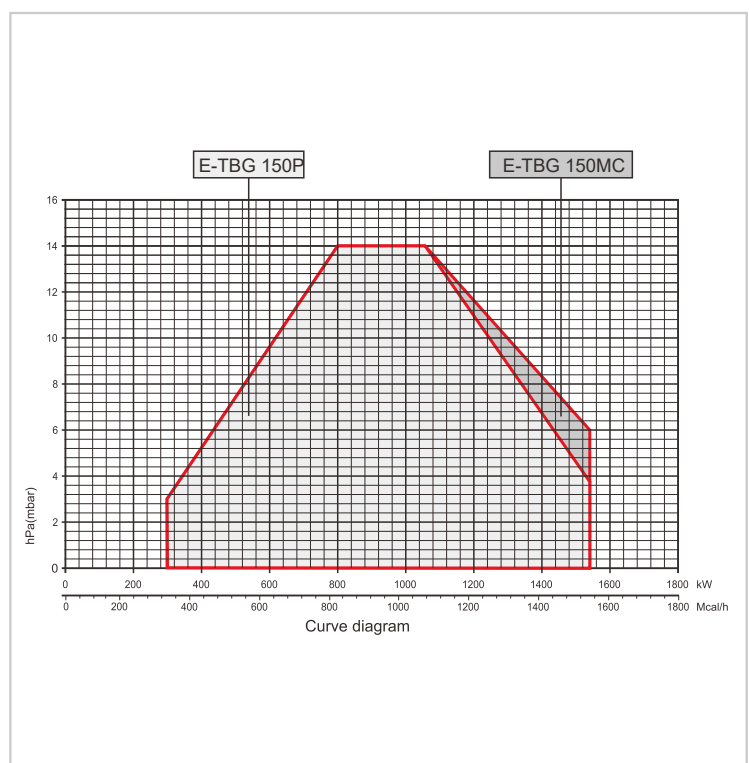
If order the proportional regulator RWF40 or DC1020 and the regulating components, the burner can be operated in proportional regulation.

## Standard accessories

Valve Group -the partnership with the boiler

## Remark

- 1) Equipped with a device to close the air damper during controlled shutdown.
- \*) The minimum pressure at the valve group inlet required for the burner to reach maximum output when the back pressure in the combustion chamber is zero.
- \*) The maximum gas pressure allowed at the valve group inlet.
- 2) According to the national special equipment safety technical specifications. In the application of the burner in boilers, when the rated output power is greater than 1200kW, the main gas valve group system should be equipped with a valve detection device.

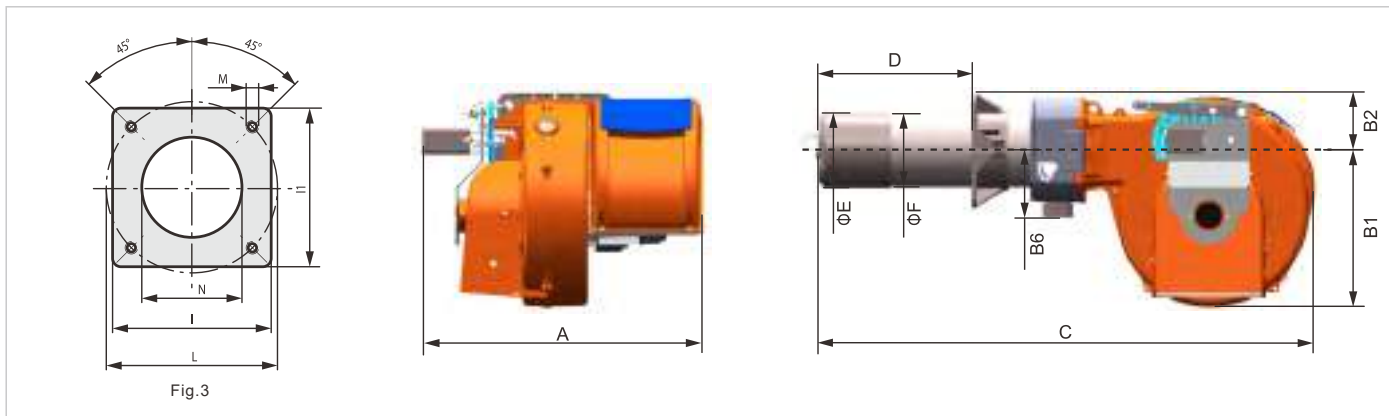


# E-TBG 150P/150MC 300~1500kW

Technical parameters and valve group

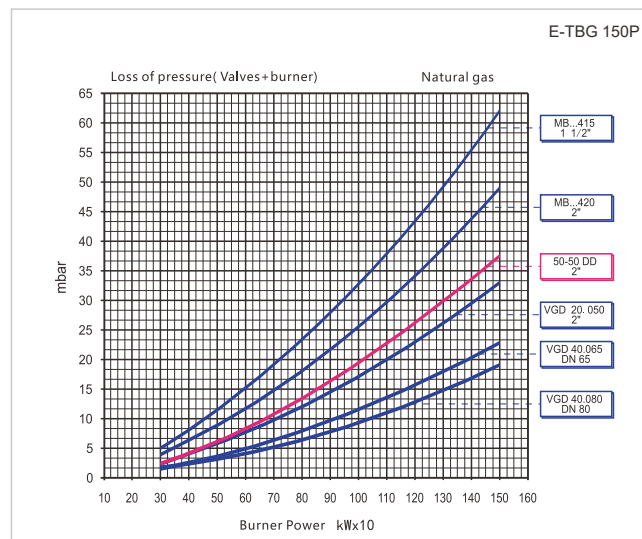
1.5T

Model	A mm	B1 mm	B2 mm	B6 mm	C mm	D mm	E mm	F mm	I mm	I1 mm	L mm	N mm	M mm	Figure No.
E-TBG 150P	690	380	160	200	1280	200~450	224	219	320	320	280~370	235	M12	Fig.3
E-TBG 150MC	690	380	160	200	1280	200~450	224	219	320	320	280~370	235	M12	Fig.3



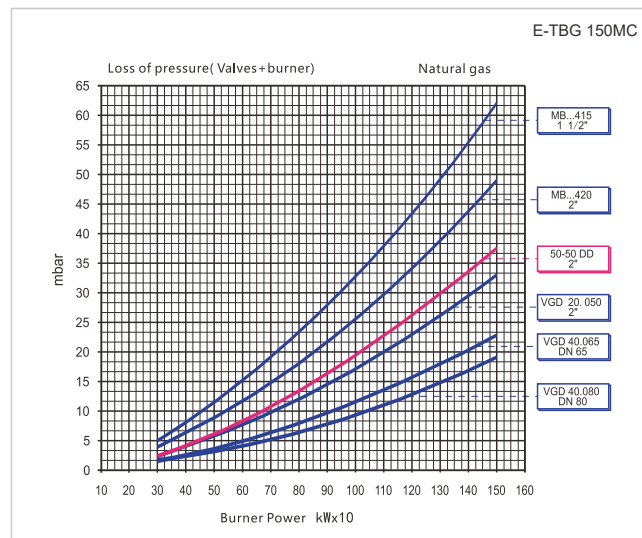
E-TBG 150P Natural gas

Curve	Valves code	Max pressure mbar	Filter pressure regulator	Figure No.	Remark
MB...415 (1 1/2")	Matching	360	included	Q1	LPG
MB...420 (2")	Matching	360	included	Q1	
VGD 20.050 (2")	Matching	500	included	Q1	
VGD 40.065 (DN65)	Matching	500	included	Q1	
VGD 40.080 (DN80)	Matching	500	included	Q1	



E-TBG 150MC Natural gas

Curve	Valves code	Max pressure mbar	Filter pressure regulator	Figure No.	Remark
MB...415 (1 1/2")	Matching	360	included	B7	LPG
MB...420 (2")	Matching	360	included	B7	
VGD 20.050 (2")	Matching	500	included	B7	
VGD 40.065 (DN65)	Matching	500	included	B7	
VGD 40.080 (DN80)	Matching	500	included	B7	



# E-TBG 140LX ME/150ME 200~1500kW

Single-stage/Two-stage Progressive/Proportional Modulation Gas Burners



Fig.1



Fig.2

1.5T

## Technological performance and structural descriptions

- ▶ Single-stage / two-stage fire operation (on / off).
- ▶ The emission reaches the European standard CLASS III.
- ▶ Air and gas are mixed in the burner head.
- ▶ The best combustion parameters can be obtained by adjusting the combustion air and the combustion head.
- ▶ Proportional regulation operation can be performed through the automatic P.I.D regulator (the regulator and related accessories need to be ordered separately).
- ▶ The progressive proportional type uses a servo motor to adjust the air flow.
- ▶ Hinge connection allows burner maintenance without removing the burner.
- ▶ Detect the pressure signal through the wind pressure switch to ensure the normal operation of the fan and normal air supply.
- ▶ The three-phase motor drives the fan.
- ▶ Ionization electrodes detect the flame.
- ▶ Standard electrical protection level IP55.

Model	Power kW	Power supply	Motor power kW	Packing Size LxPxH mm	Net weight kg
E-TBG 140LX ME	200~1450	380V 50Hz	2.2	1070x800x700	91
E-TBG 150ME	300~1500	380V 50Hz	2.2	1070x800x700	91

## Alternative functions

TL is the standard model, the combustion tube can be lengthened and 60Hz can be customized.

## Proportional adjustment function

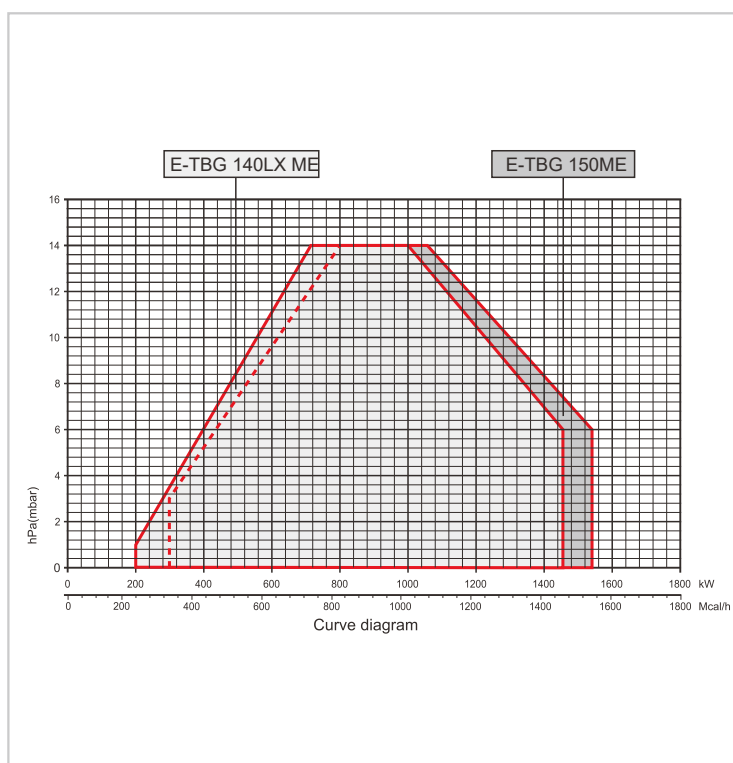
If order the proportional regulator RWF40 or DC1020 and the regulating components, the burner can be operated in proportional regulation.

## Standard accessories

Valve Group -the partnership with the boiler.

## Remark

- 1) Equipped with a device to close the air damper during controlled shutdown.
- \*) The minimum pressure at the valve group inlet required for the burner to reach maximum output when the back pressure in the combustion chamber is zero.
- \*) The maximum gas pressure allowed at the valve group inlet.
- 2) According to the national special equipment safety technical specifications. In the application of the burner in boilers, when the rated output power is greater than 1200kW, the main gas valve group system should be equipped with a valve detection device.

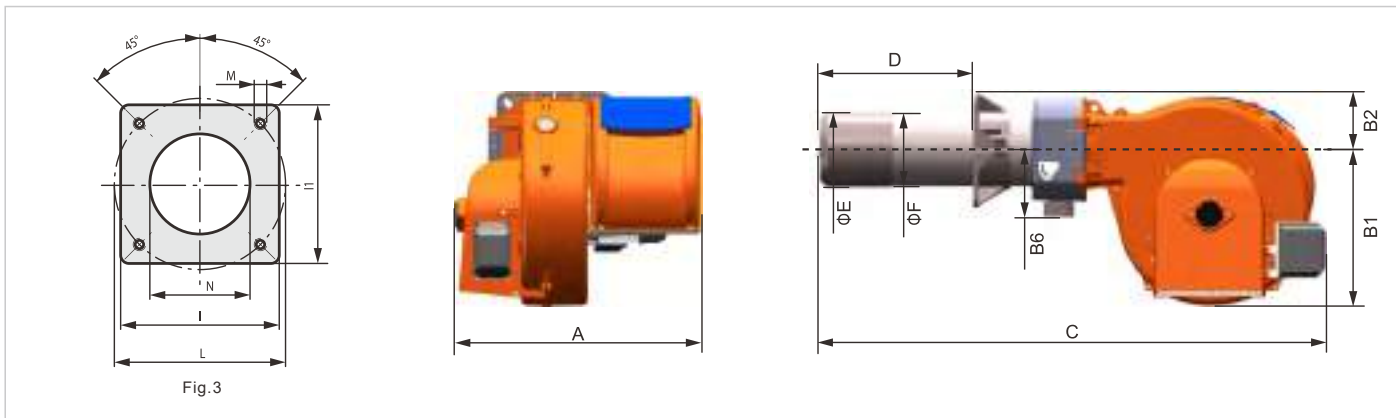


# E-TBG 140LX ME/150ME 200~1500kW

Technical parameters and valve group

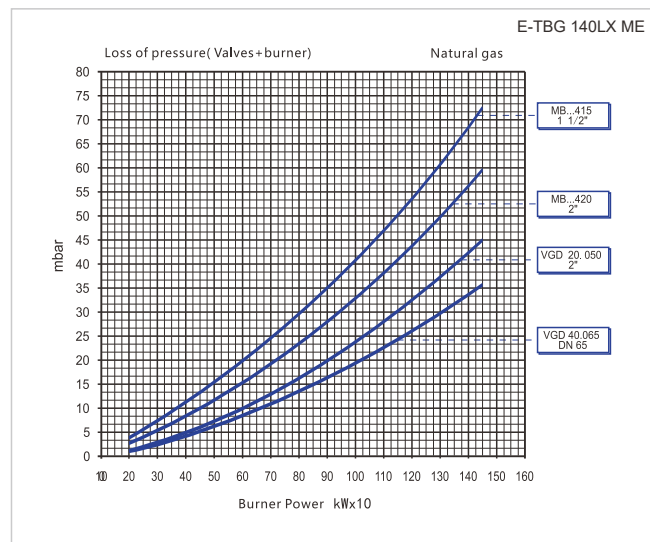
1.5T

Model	A mm	B1 mm	B2 mm	B6 mm	C mm	D mm	E mm	F mm	I mm	I1 mm	L mm	N mm	M mm	Figure No.
E-TBG 140LX ME	610	380	160	200	1315	200~450	240	219	320	320	280~370	250	M12	Fig.3
E-TBG 150ME	610	380	160	200	1315	200~450	240	219	320	320	280~370	250	M12	Fig.3



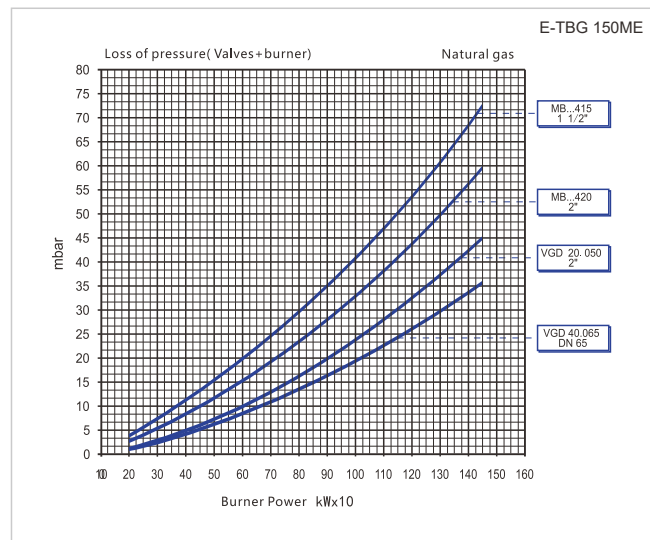
E-TBG 140LX ME Natural gas

Curve	Valves code	Max pressure mbar	Filter pressure regulator	Figure No.	Remark
MB...415 (1 1/2")	Matching	360	included	D2	
MB...420 (2")	Matching	360	included	D2	
VGD 20.050 (2")	Matching	500	included	D2	
VGD 40.065 (DN65)	Matching	500	included	D2	



E-TBG 150ME Natural gas

Curve	Valves code	Max pressure mbar	Filter pressure regulator	Figure No.	Remark
MB...415 (1 1/2")	Matching	360	included	D2	LPG
MB...420 (2")	Matching	360	included	D2	
VGD 20.050 (2")	Matching	500	included	D2	
VGD 40.065 (DN65)	Matching	500	included	D2	



# E-TBG 210P/210MC 400~2100kW

Single-stage/Two-stage Progressive/Proportional Modulation Gas Burners



Fig.1



Fig.2

2T

## Technological performance and structural descriptions

- ▶ Single-stage / two-stage fire operation (on / off).
- ▶ The emission reaches the European standard CLASS II.
- ▶ Air and gas are mixed in the burner head.
- ▶ The best combustion parameters can be obtained by adjusting the combustion air and the combustion head.
- ▶ Proportional regulation operation can be performed through the automatic P.I.D regulator (the regulator and related accessories need to be ordered separately).
- ▶ The progressive proportional type uses a servo motor to adjust the air flow.
- ▶ Hinge connection allows burner maintenance without removing the burner.
- ▶ Detect the pressure signal through the wind pressure switch to ensure the normal operation of the fan and normal air supply.
- ▶ The three-phase motor drives the fan.
- ▶ Ionization electrodes detect the flame.
- ▶ Standard electrical protection level IP55.

Model	Power kW	Power supply	Motor power kW	Packing Size LxPxH mm	Net weight kg
E-TBG 210P	400~2100	380V 50Hz	3	1070x800x700	94
E-TBG 210MC	400~2100	380V 50Hz	3	1070x800x700	94

## Alternative functions

TL is the standard model, the combustion tube can be lengthened and 60Hz can be customized.

## Proportional adjustment function

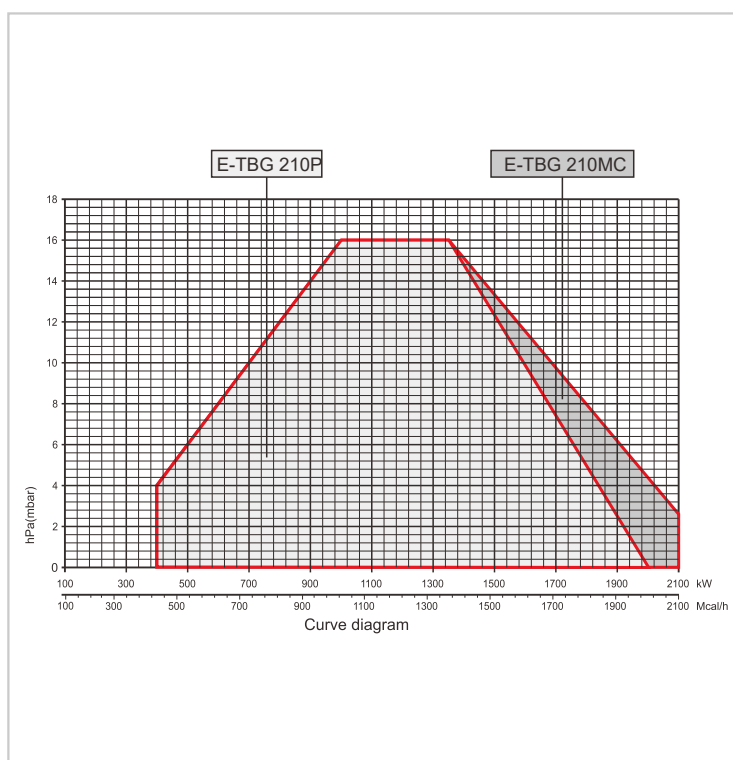
If order the proportional regulator RWF40 or DC1020 and the regulating components, the burner can be operated in proportional regulation.

## Standard accessories

Valve Group -the partnership with the boiler.

## Remark

- 1) Equipped with a device to close the air damper during controlled shutdown.
- \*) The minimum pressure at the valve group inlet required for the burner to reach maximum output when the back pressure in the combustion chamber is zero.
- \*) The maximum gas pressure allowed at the valve group inlet.
- 2) According to the national special equipment safety technical specifications. In the application of the burner in boilers, when the rated output power is greater than 1200kW, the main gas valve group system should be equipped with a valve detection device.

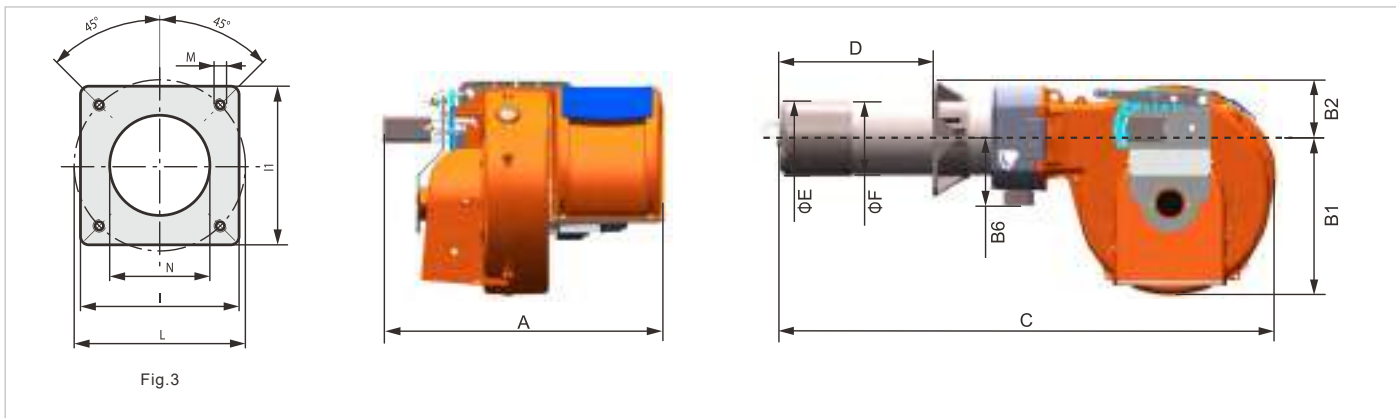


# E-TBG 210P/210MC 400~2100kW

Technical parameters and valve group

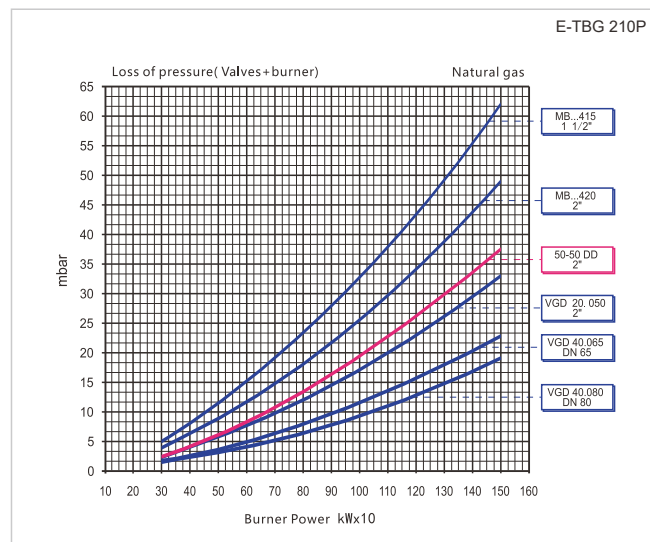
2T

Model	A mm	B1 mm	B2 mm	B6 mm	C mm	D mm	E mm	F mm	I mm	I1 mm	L mm	N mm	M mm	Figure No.
E-TBG 210P	690	380	160	200	1280	200~450	250	219	320	320	280~370	255	M12	Fig.3
E-TBG 210MC	690	380	160	200	1280	200~450	250	219	320	320	280~370	255	M12	Fig.3



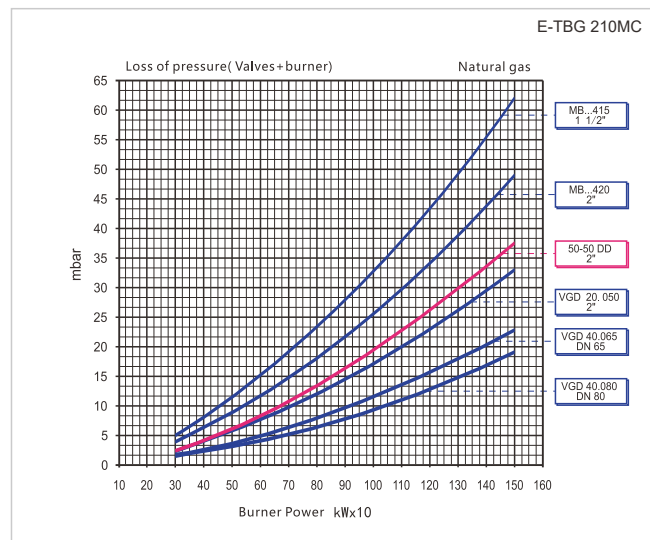
E-TBG 210P Natural gas

Curve	Valves code	Max pressure mbar	Filter pressure regulator	Figure No.	Remark
MB...415 (1 1/2")	Matching	360	included	Q1	LPG
MB...420 (2")	Matching	360	included	Q1	
VGD 20.050 (2")	Matching	500	included	Q1	
VGD 40.065 (DN65)	Matching	500	included	Q1	
VGD 40.080 (DN80)	Matching	500	included	Q1	



E-TBG 210MC Natural gas

Curve	Valves code	Max pressure mbar	Filter pressure regulator	Figure No.	Remark
MB...415 (1 1/2")	Matching	360	included	Q1	
MB...420 (2")	Matching	360	included	Q1	
VGD 20.050 (2")	Matching	500	included	Q1	LPG
VGD 40.065 (DN65)	Matching	500	included	Q1	
VGD 40.080 (DN80)	Matching	500	included	Q1	



# E-TBG 210LX ME/210ME 400~2000kW

Single-stage/Two-stage Progressive/Proportional Modulation Gas Burners



Fig.1



Fig.2

2T

## Technological performance and structural descriptions

- ▶ Single-stage / two-stage fire operation (on / off).
- ▶ The emission reaches the European standard CLASS III.
- ▶ Air and gas are mixed in the burner head.
- ▶ The best combustion parameters can be obtained by adjusting the combustion air and the combustion head.
- ▶ Proportional regulation operation can be performed through the automatic P.I.D regulator (the regulator and related accessories need to be ordered separately).
- ▶ The progressive proportional type uses a servo motor to adjust the air flow.
- ▶ Hinge connection allows burner maintenance without removing the burner.
- ▶ Detect the pressure signal through the wind pressure switch to ensure the normal operation of the fan and normal air supply.
- ▶ The three-phase motor drives the fan.
- ▶ Ionization electrodes detect the flame.
- ▶ Standard electrical protection level IP55.

Model	Power kW	Power supply	Motor power kW	Packing Size LxPxH mm	Net weight kg
E-TBG 210LX ME	400~2000	380V 50Hz	3	1070x800x700	94
E-TBG 210ME	400~2000	380V 50Hz	3	1070x800x700	94

## Alternative functions

TL is the standard model, the combustion tube can be lengthened and 60Hz can be customized.

## Proportional adjustment function

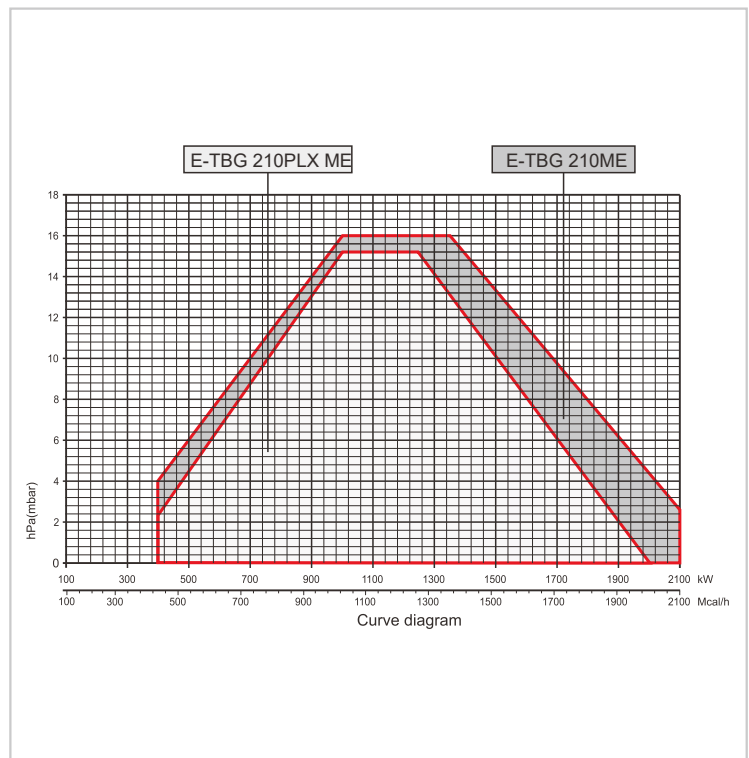
If order the proportional regulator RWF40 or DC1020 and the regulating components, the burner can be operated in proportional regulation.

## Standard accessories

Valve Group -the partnership with the boiler.

## Remark

- 1) Equipped with a device to close the air damper during controlled shutdown.
- \*) The minimum pressure at the valve group inlet required for the burner to reach maximum output when the back pressure in the combustion chamber is zero.
- \*) The maximum gas pressure allowed at the valve group inlet.
- 2) According to the national special equipment safety technical specifications. In the application of the burner in boilers, when the rated output power is greater than 1200kW, the main gas valve group system should be equipped with a valve detection device.

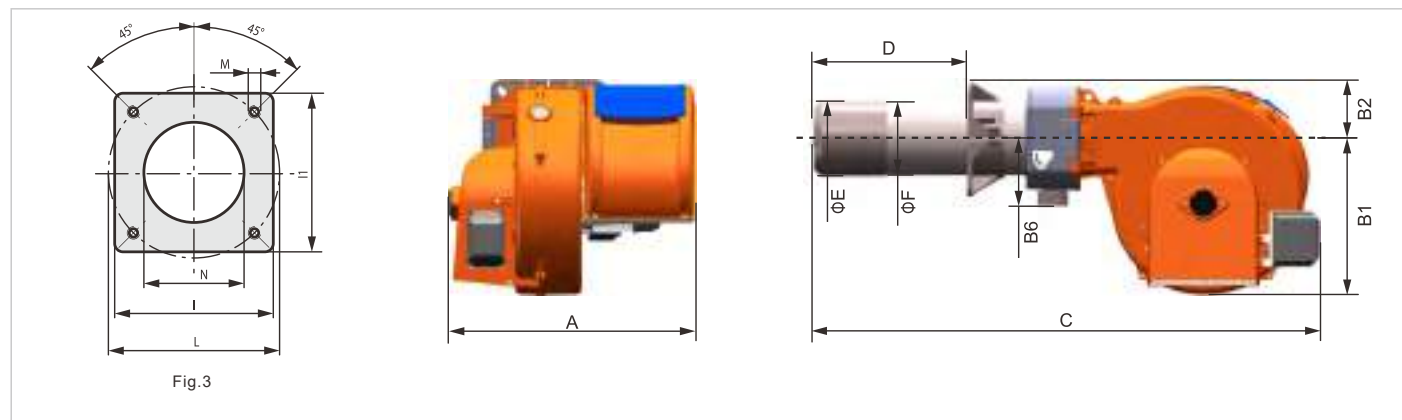


# E-TBG 210LX ME/210ME 400~2000kW

Technical parameters and valve group

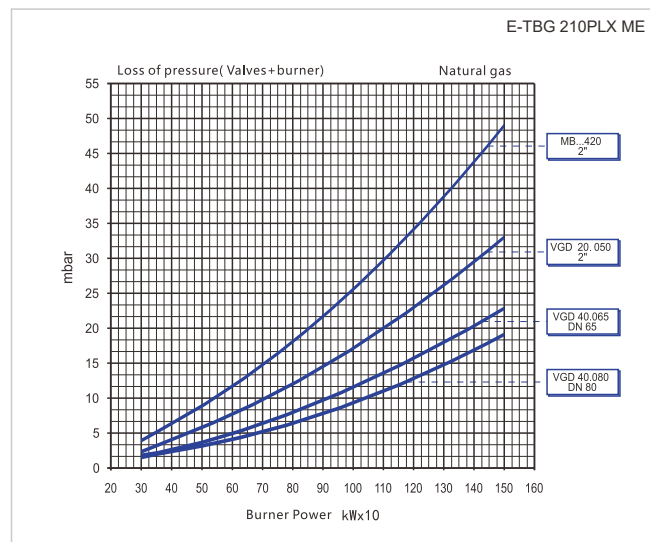
2T

Model	A mm	B1 mm	B2 mm	B6 mm	C mm	D mm	E mm	F mm	I mm	I1 mm	L mm	N mm	M mm	Figure No.
E-TBG 210PLX ME	610	380	160	200	1315	200~450	250	219	320	320	280~370	255	M12	Fig.3
E-TBG 210ME	610	380	160	200	1315	200~450	250	219	320	320	280~370	255	M12	Fig.3



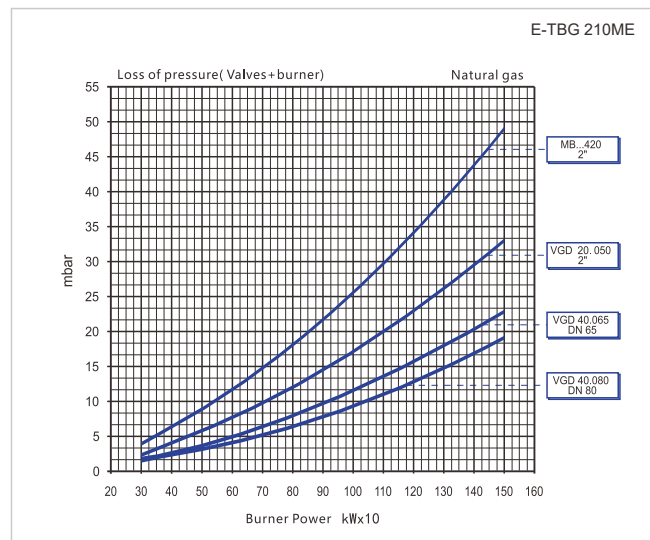
E-TBG 210PLX ME Natural gas

Curve	Valves code	Max pressure mbar	Filter pressure regulator	Figure No.	Remark
MB...420 (2")	included	360	included	Q1	
VGD 20.050 (2")	included	500	included	Q1	
VGD 40.065 (DN65)	included	500	included	Q1	
VGD 40.080 (DN80)	included	500	included	Q1	



E-TBG 210ME Natural gas

Curve	Valves code	Max pressure mbar	Filter pressure regulator	Figure No.	Remark
MB...420 (2")	included	360	included	Q2	
VGD 20.050 (2")	included	500	included	Q3	
VGD 40.065 (DN65)	included	500	included	Q3	
VGD 40.080 (DN80)	included	500	included	Q3	



## E-TBG 260MC/260ME 450~2600kW

Single-stage/Two-stage Progressive/Proportional Modulation Gas Burners



Fig.1



Fig.2

3T

### Technological performance and structural descriptions

- ▶ Single-stage / two-stage fire operation (on / off).
- ▶ The emission reaches the European standard CLASS III.
- ▶ Air and gas are mixed in the burner head.
- ▶ The best combustion parameters can be obtained by adjusting the combustion air and the combustion head.
- ▶ Proportional regulation operation can be performed through the automatic P.I.D regulator (the regulator and related accessories need to be ordered separately).
- ▶ An independent servo motor adjusts the air damper opening.
- ▶ Hinge connection allows burner maintenance without removing the burner.
- ▶ The air damper automatically closes during pauses to reduce heat loss in the furnace
- ▶ Independent stepper servo motor control fuel and air flow.
- ▶ The three-phase motor drives the fan.
- ▶ Ionization electrodes detect the flame.
- ▶ Standard electrical protection level IP55.

Model	Power kW	Power supply	Motor power kW	Packing Size LxPxH mm	Net weight kg
E-TBG 260MC	400~2000	380V 50Hz	5.5	1070x800x700	110
E-TBG 260ME	400~2000	380V 50Hz	5.5	1070x800x700	110

### Alternative functions

TL is the standard model, the combustion tube can be lengthened and 60Hz can be customized.

### Proportional adjustment function

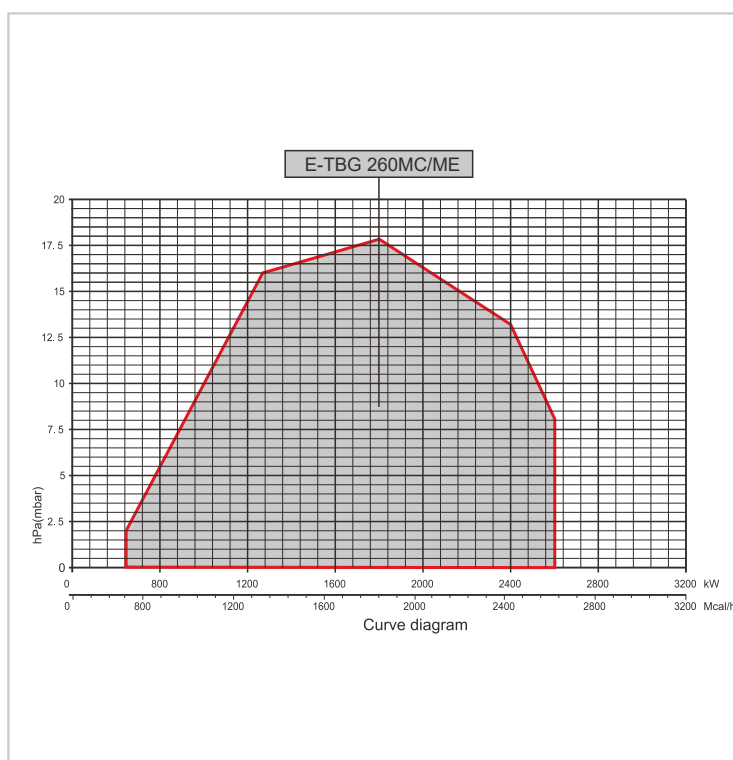
If order the proportional regulator RWF40 or DC1020 and the regulating components, the burner can be operated in proportional regulation.

### Standard accessories

Valve Group -the partnership with the boiler.

### Remark

- 1) Equipped with a device to close the air damper during controlled shutdown.
- \*) The minimum pressure at the valve group inlet required for the burner to reach maximum output when the back pressure in the combustion chamber is zero.
- \*) The maximum gas pressure allowed at the valve group inlet.
- 2) According to the national special equipment safety technical specifications. In the application of the burner in boilers, when the rated output power is greater than 1200kW, the main gas valve group system should be equipped with a valve detection device.

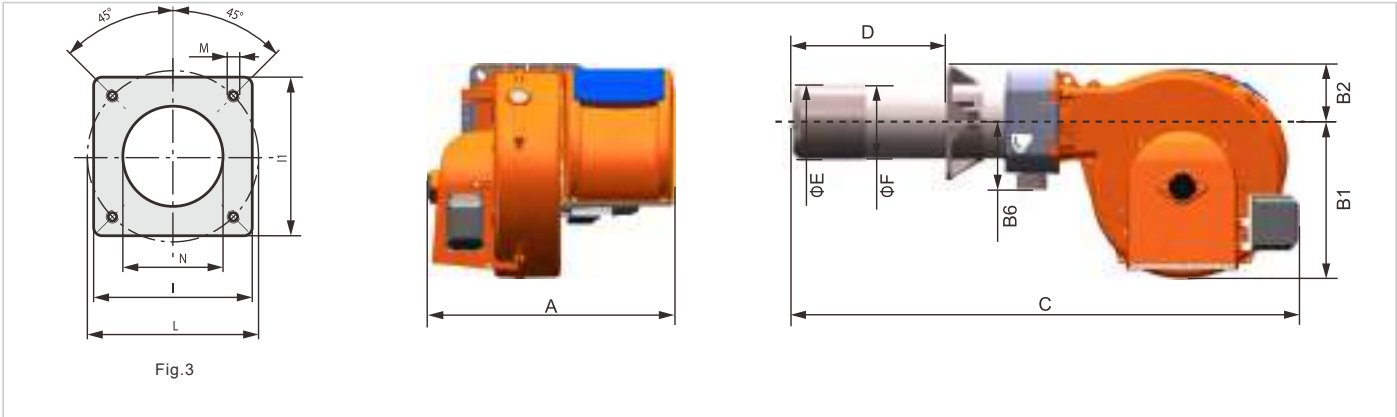


# E-TBG 260MC/260ME 450~2600kW

Technical parameters and valve group

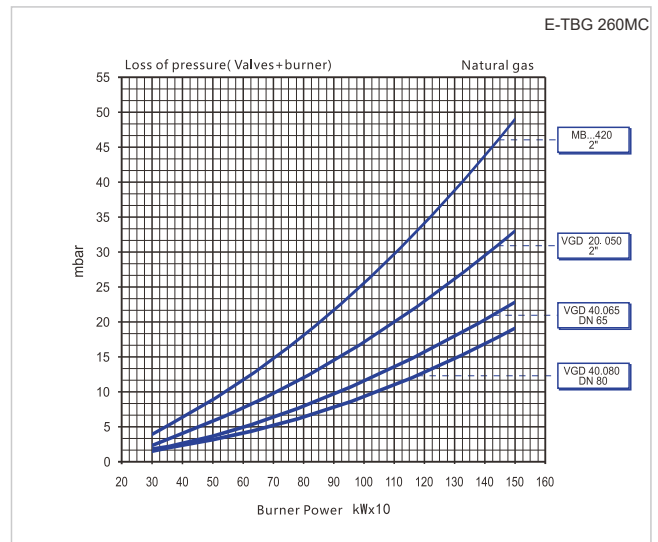
3T

Model	A mm	B1 mm	B2 mm	B6 mm	C mm	D mm	E mm	F mm	I mm	I1 mm	L mm	N mm	M mm	Figure No.
E-TBG 260MC	795	380	170	200	1250	200~450	250	219	320	320	280~370	255	M12	Fig.3
E-TBG 260ME	700	380	160	200	1315	200~450	250	219	320	320	280~370	255	M12	Fig.3



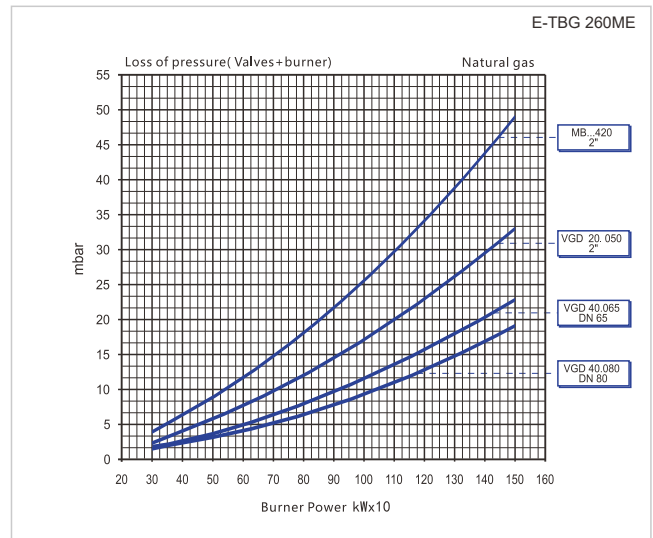
E-TBG 260MC Natural gas

Curve	Valves code	Max pressure mbar	Filter pressure regulator	Figure No.	Remark
MB...420 (2")	Matching	360	included	B7	
VGD 20.050 (2")	Matching	500	included	B7	
VGD 40.065 (DN65)	Matching	500	included	B7	
VGD 40.080 (DN80)	Matching	500	included	B7	



E-TBG 260ME Natural gas

Curve	Valves code	Max pressure mbar	Filter pressure regulator	Figure No.	Remark
MB...420 (2")	included	360	included	D2	
VGD 20.050 (2")	included	500	included	D2	
VGD 40.065 (DN65)	included	500	included	D2	
VGD 40.080 (DN80)	included	500	included	D2	



# E-TBG 360MC/360ME 500~3600kW

Single-stage/Two-stage Progressive/Proportional Modulation Gas Burners



Fig.1



Fig.2

4T

## Technological performance and structural descriptions

- ▶ Single-stage / two-stage fire progressive operation (on / off).
- ▶ The emission reaches the European standard CLASS III
- ▶ Air and gas are mixed in the burner.
- ▶ By adjusting the combustion air and the combustion head, you can The best combustion parameters are obtained.
- ▶ Through the automatic R.I.D regulator, the proportion can be carried out.Adjust the operation, (together with the adjustment assembly Line order).
- ▶ Independent servo motor adjusts the opening of the air baffle.
- ▶ Hinged connection, no need to remove the burner Maintain the burner.
- ▶ The air baffle closes automatically when paused to reduce Heat loss in the furnace.
- ▶ Independent stepper servo motor control fuel and air flow.
- ▶ The three-phase motor drives the fan.
- ▶ The ionization electrode detects the flame.
- ▶ Standard electrical protection grade IP54.

Model	Power kW	Power supply	Motor power kW	Packing Size LxPxH mm	Net weight kg
E-TBG 360MC	500~3600	380V 50Hz	7	1070x800x720	112
E-TBG 360ME	500~3600	380V 50Hz	7	1070x800x720	112

## Alternative functions

TL is the standard model, the combustion tube can be lengthened and 60Hz can be customized.

## Proportional adjustment function

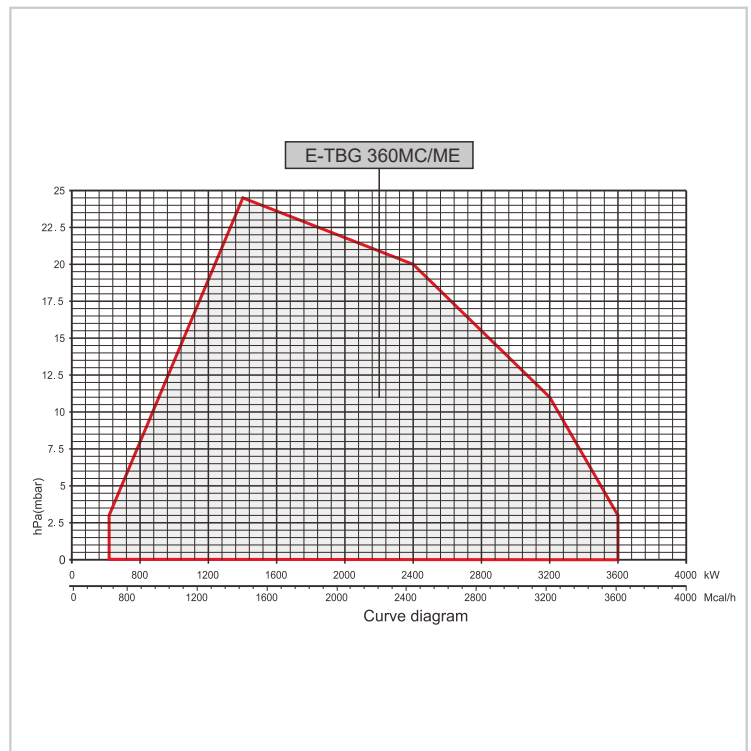
If order the proportional regulator RWF40 or DC1020 and the regulating components, the burner can be operated in proportional regulation.

## Standard accessories

Valve Group -the partnership with the boiler.

## Remark

- 1) Equipped with a device to close the air damper during controlled shutdown.
- \*) The minimum pressure at the valve group inlet required for the burner to reach maximum output when the back pressure in the combustion chamber is zero.
- \*) The maximum gas pressure allowed at the valve group inlet.
- 2) According to the national special equipment safety technical specifications. In the application of the burner in boilers, when the rated output power is greater than 1200kW, the main gas valve group system should be equipped with a valve detection device.

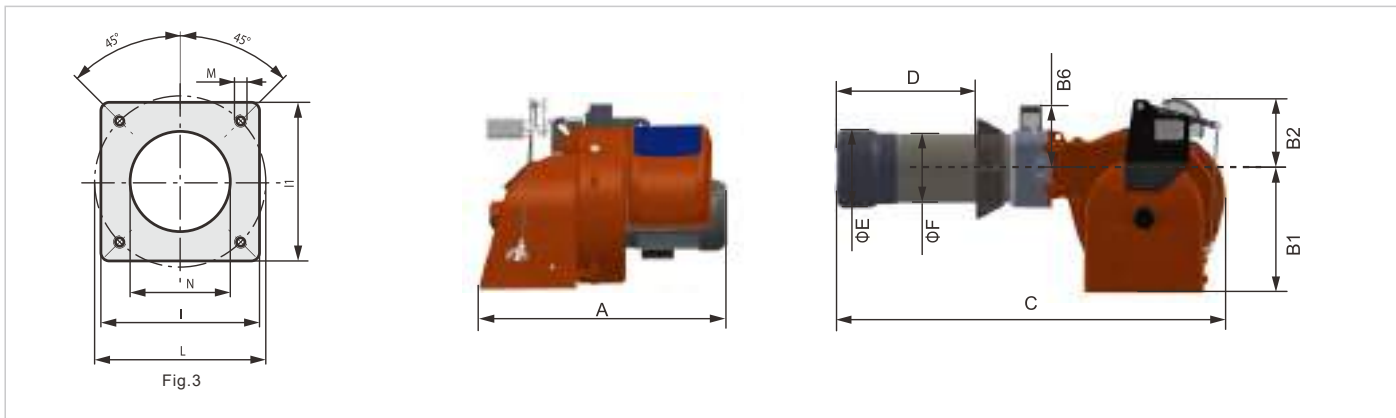


# E-TBG 360MC/360ME 450~2600kW

Technical parameters and valve group

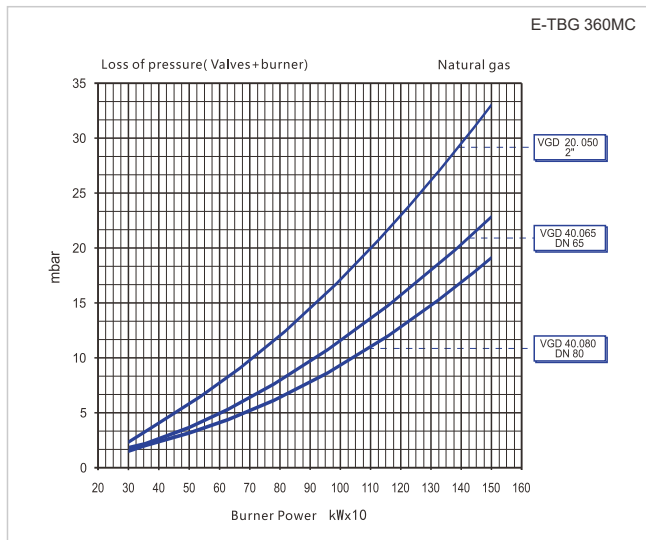
4T

Model	A mm	B1 mm	B2 mm	B6 mm	C mm	D mm	E mm	F mm	I mm	I1 mm	L mm	N mm	M mm	Figure No.
E-TBG 360MC	820	390	220	200	1250	200~450	270	219	320	320	310~370	275	M12	Fig.3
E-TBG 360ME	820	390	200	200	1315	200~450	270	219	320	320	310~370	275	M12	Fig.3



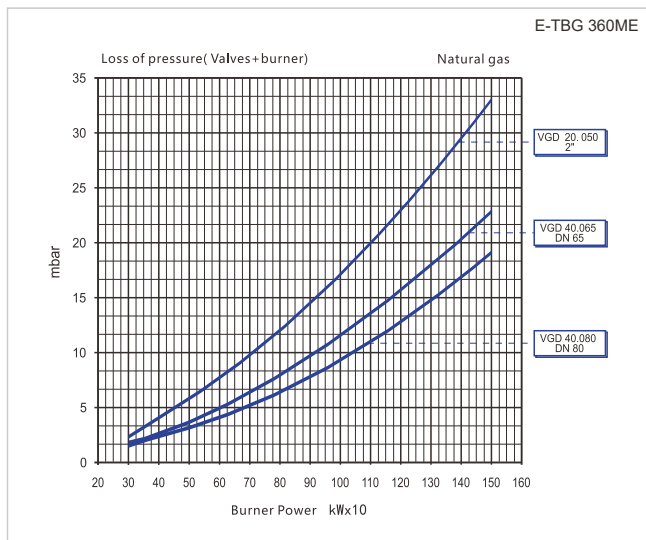
## E-TBG 360MC Natural gas

Curve	Valves code	Max pressure mbar	Filter pressure regulator	Figure No.	Remark
VGD 20.050 (2")	Matching	500	included	Q1	
VGD 40.065 (DN65)	Matching	500	included	Q1	
VGD 40.080 (DN80)	Matching	500	included	Q1	



## E-TBG 260ME Natural gas

Curve	Valves code	Max pressure mbar	Filter pressure regulator	Figure No.	Remark
VGD 20.050 (2")	included	500	included	Q3	
VGD 40.065 (DN65)	included	500	included	Q3	
VGD 40.080 (DN80)	included	500	included	Q3	



# E-TBG 450-510LX MC/ME 500~3800kW

Single-stage/Two-stage Progressive/Proportional Modulation Gas Burners



Fig.1



Fig.2

4~5T

## Technological performance and structural descriptions

- ▶ Single-stage / two-stage fire progressive operation (on / off).
- ▶ Proportional regulation work.
- ▶ The emission reaches the European standard CLASS III
- ▶ Detect the pressure signal through the wind pressure switch to ensure the normal operation of the fan and normal air supply.
- ▶ Under the necessary conditions, the burner emission is less than 80mg/Nm<sup>3</sup>.
- ▶ Through the automatic R.I.D regulator, the proportion can be carried out. Adjust the operation, (together with the adjustment assembly Line order).
- ▶ The air damper automatically closes during pauses to reduce heat loss in the furnace.
- ▶ Independent stepper servo motor control fuel and air flow.
- ▶ The three-phase motor drives the fan.
- ▶ UV flame detection.
- ▶ UV detector self-cleaning cooling system to ensure continuous reliable and safe operation of UV.
- ▶ Controller built-in valve detection control.

Model	Power kW	Power supply	Motor power kW	Packing Size LxPxH mm	Net weight kg
E-TBG 450LX MC/ME	500~3250	380V 50Hz	9.2	1500x1300x970	255
E-TBG 510LX MC/ME	500~3800	380V 50Hz	12	1500x1300x970	260

## Alternative functions

TL is the standard model, the combustion tube can be lengthened and 60Hz can be customized.

## Proportional adjustment function

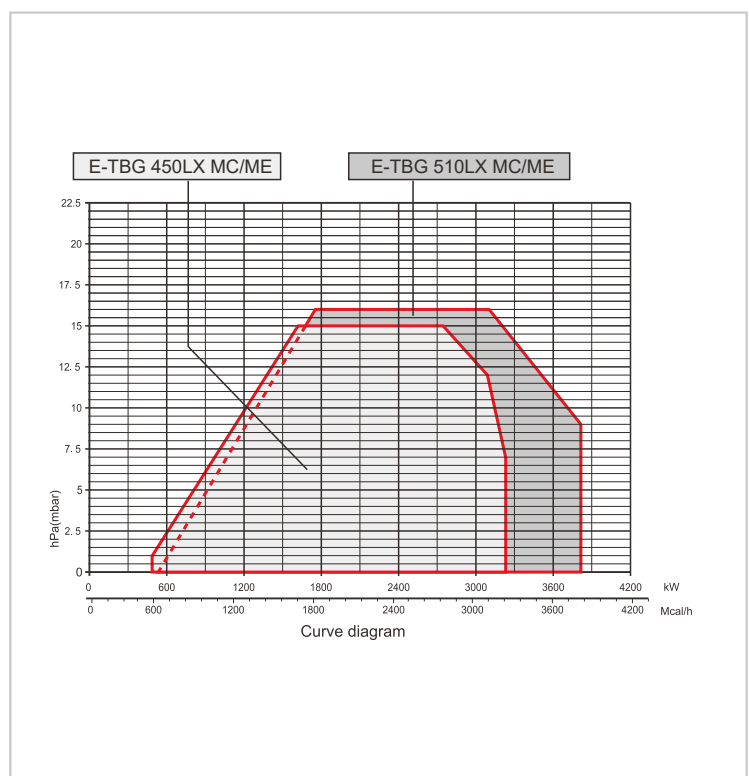
If order the proportional regulator RWF40 or DC1020 and the regulating components, the burner can be operated in proportional regulation.

## Standard accessories

Valve Group -the partnership with the boiler.

## Remark

- 1) Equipped with a device to close the air damper during controlled shutdown.
- \*1) The minimum pressure at the valve group inlet required for the burner to reach maximum output when the back pressure in the combustion chamber is zero.
- \*2) The maximum gas pressure allowed at the valve group inlet.
- 2) According to the national special equipment safety technical specifications. In the application of the burner in boilers, when the rated output power is greater than 1200kW, the main gas valve group system should be equipped with a valve detection device.

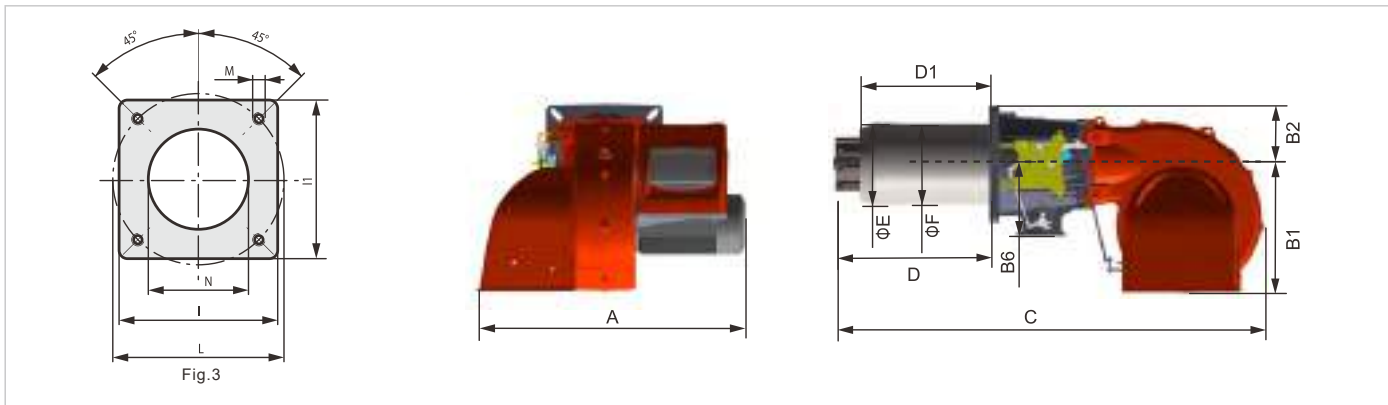


# E-TBG 450-510LX MC/ME 500~3800kW

Technical parameters and valve group

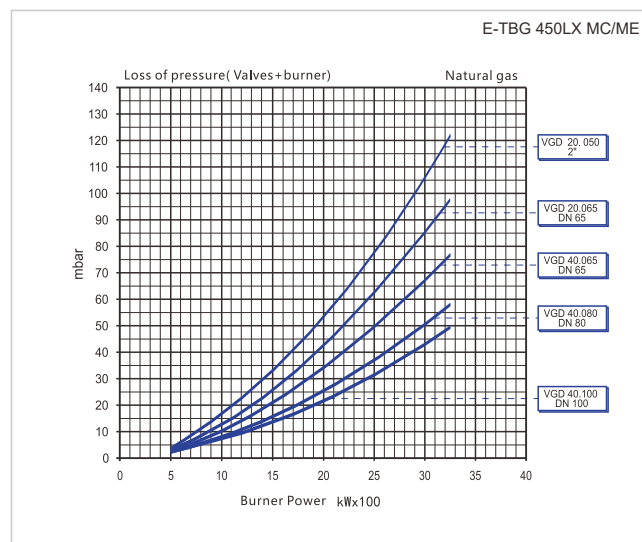
4~5T

Model	A mm	B1 mm	B2 mm	B6 mm	C mm	D mm	D1 mm	E mm	F mm	I mm	I1 mm	L mm	N mm	M mm	Figure No.
E-TBG 450LX MC	1030	528	240	295	1785	650	547~597	320	310	480	480	520~600	325	M20	Fig.3
E-TBG 450LX ME	1030	528	240	295	1828	650	547~597	320	310	480	480	520~600	325	M20	Fig.3
E-TBG 510LX MC	1105	528	240	295	1785	650	547~597	340	330	480	480	520~600	340	M20	Fig.3
E-TBG 510LX ME	1105	528	240	295	1828	650	547~597	340	330	480	480	520~600	340	M20	Fig.3



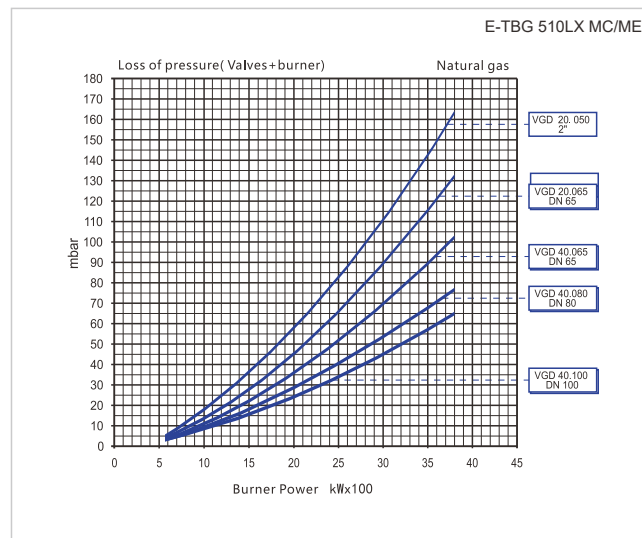
## E-TBG 450LX MC Natural gas

Curve	Valves code	Max pressure mbar	Filter pressure regulator	Figure No.	Remark
VGD 20.050 (2")	Matching	500	included	Q7	
VGD 20.065 (DN65)	Matching	500	included	Q7	
VGD 40.065 (DN65)	Matching	500	included	Q7	
VGD 40.080 (DN80)	Matching	500	included	Q7	
VGD 40.100 (DN100)	Matching	500	included	Q7	



## E-TBG 510MC Natural gas

Curve	Valves code	Max pressure mbar	Filter pressure regulator	Figure No.	Remark
VGD 20.050 (2")	Matching	500	included	Q7	
VGD 20.065 (DN65)	Matching	500	included	Q7	
VGD 40.065 (DN65)	Matching	500	included	Q7	
VGD 40.080 (DN80)	Matching	500	included	Q7	
VGD 40.100 (DN100)	Matching	500	included	Q7	



## E-TBG 510LX ME Natural gas

Curve	Valves code	Max pressure mbar	Filter pressure regulator	Figure No.	Remark
VGD 20.050 (2")	included	500	included	Q3	
VGD 20.065 (DN65)	included	500	included	Q3	
VGD 40.065 (DN65)	included	500	included	Q3	
VGD 40.080 (DN80)	included	500	included	Q3	
VGD 40.100 (DN100)	included	500	included	Q3	

# E-TBG 650-750LX MC/ME 900~6000kW

Single-stage/Two-stage Progressive/Proportional Modulation Gas Burners



Fig.1



Fig.2

5~6T

## Technological performance and structural descriptions

- ▶ Single-stage / two-stage fire progressive operation (on / off).
- ▶ Proportional regulation work.
- ▶ The emission reaches the European standard CLASS III
- ▶ Detect the pressure signal through the wind pressure switch to ensure the normal operation of the fan and normal air supply.
- ▶ Under the necessary conditions, the burner emission is less than 80mg/Nm<sup>3</sup>.
- ▶ Through the automatic R.I.D regulator, the proportion can be carried out. Adjust the operation, (together with the adjustment assembly Line order).
- ▶ The air damper automatically closes during pauses to reduce heat loss in the furnace.
- ▶ Independent stepper servo motor control fuel and air flow.
- ▶ The three-phase motor drives the fan.
- ▶ UV flame detection.
- ▶ UV detector self-cleaning cooling system to ensure continuous reliable and safe operation of UV.
- ▶ Controller built-in valve detection control.
- ▶ Standard electrical protection grade IP54.

Model	Power kW	Power supply	Motor power kW	Packing Size LxPxH mm	Net weight kg
E-TBG 650LX MC/ME	800~5200	380V 50Hz	15	1500x1300x970	275
E-TBG 750LX MC/ME	900~6000	380V 50Hz	18.5	1500x1300x970	310

## Alternative functions

TL is the standard model, the combustion tube can be lengthened and 60Hz can be customized.

## Proportional adjustment function

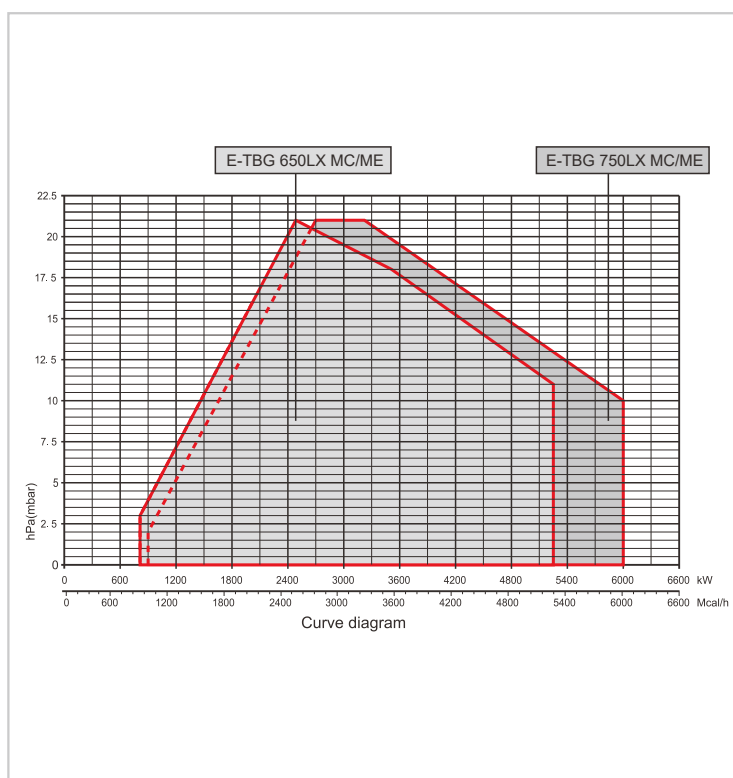
If order the proportional regulator RWF40 or DC1020 and the regulating components, the burner can be operated in proportional regulation.

## Standard accessories

Valve Group -the partnership with the boiler.

## Remark

- 1) Equipped with a device to close the air damper during controlled shutdown.
- \*) The minimum pressure at the valve group inlet required for the burner to reach maximum output when the back pressure in the combustion chamber is zero.
- \*) The maximum gas pressure allowed at the valve group inlet.
- 2) According to the national special equipment safety technical specifications. In the application of the burner in boilers, when the rated output power is greater than 1200kW, the main gas valve group system should be equipped with a valve detection device.

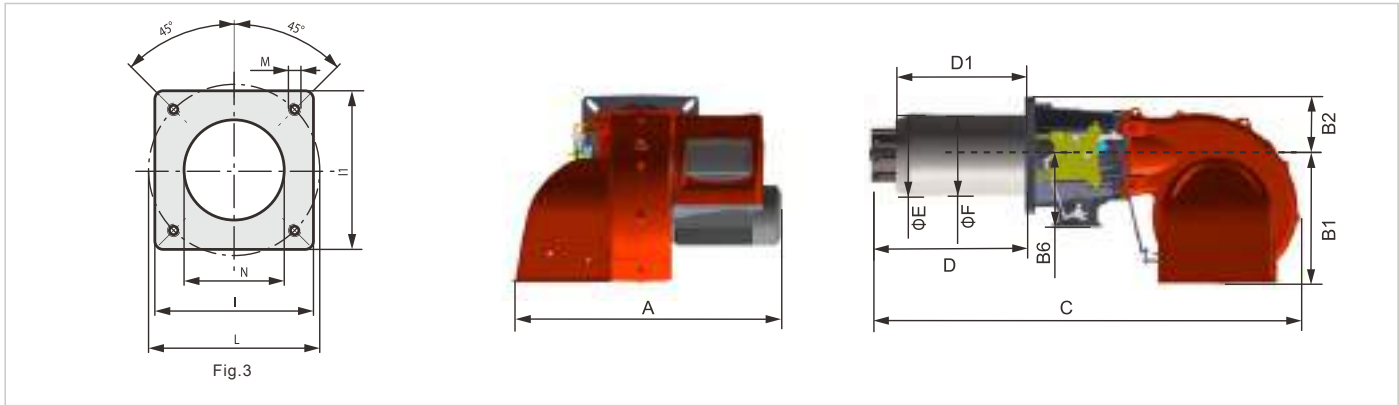


# E-TBG 650-750LX MC/ME 900~6000kW

Technical parameters and valve group

5~6T

Model	A mm	B1 mm	B2 mm	B6 mm	C mm	D mm	D1 mm	E mm	F mm	I mm	I1 mm	L mm	N mm	M mm	Figure No.
E-TBG 650LX MC	1105	528	240	295	1785	630	547~597	340	330	480	480	520~600	360	M20	Fig.3
E-TBG 650LX ME	1105	528	240	295	1828	630	547~597	340	330	480	480	520~600	360	M20	Fig.3
E-TBG 750LX MC	1180	528	240	295	1785	630	547~597	410	400	480	480	520~600	450	M20	Fig.3
E-TBG 750LX ME	1180	528	240	295	1828	630	547~597	410	400	480	480	520~600	450	M20	Fig.3

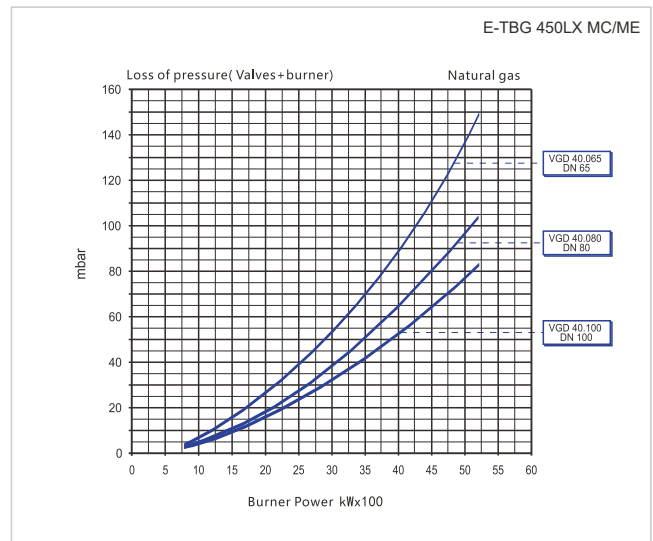


E-TBG 650LX MC Natural gas

Curve	Valves code	Max pressure mbar	Filter pressure regulator	Figure No.	Remark
VGD 40.065 (DN65)	Matching	500	included	Q7	
VGD 40.080 (DN80)	Matching	500	included	Q7	
VGD 40.100 (DN100)	Matching	500	included	Q7	

E-TBG 650LX ME Natural gas

Curve	Valves code	Max pressure mbar	Filter pressure regulator	Figure No.	Remark
VGD 40.065 (DN65)	included	500	included	Q3	
VGD 40.080 (DN80)	included	500	included	Q3	
VGD 40.100 (DN100)	included	500	included	Q3	

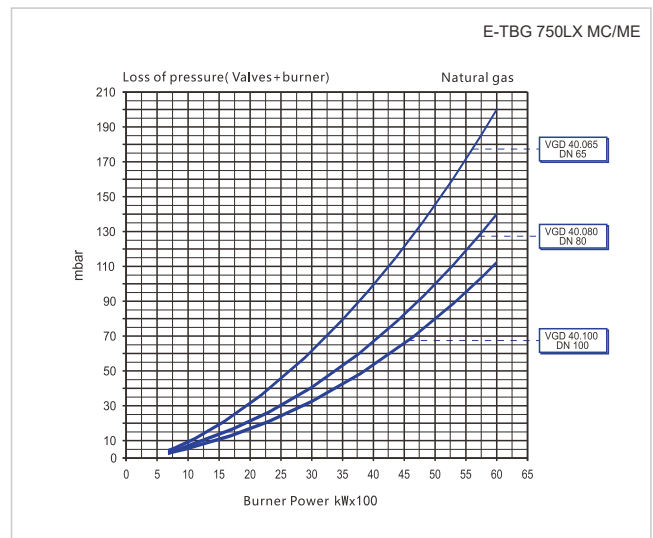


E-TBG 750LX MC Natural gas

Curve	Valves code	Max pressure mbar	Filter pressure regulator	Figure No.	Remark
VGD 40.065 (DN65)	Matching	500	included	Q7	
VGD 40.080 (DN80)	Matching	500	included	Q7	
VGD 40.100 (DN100)	Matching	500	included	Q7	

E-TBG 750LX ME Natural gas

Curve	Valves code	Max pressure mbar	Filter pressure regulator	Drawing number	Remark
VGD 40.065 (DN65)	included	500	included	Q3	
VGD 40.080 (DN80)	included	500	included	Q3	
VGD 40.100 (DN100)	included	500	included	Q3	



# E-TBG 800-1100-1200LX MC/ME 700~12000kW

Single-stage/Two-stage Progressive/Proportional Modulation Gas Burners

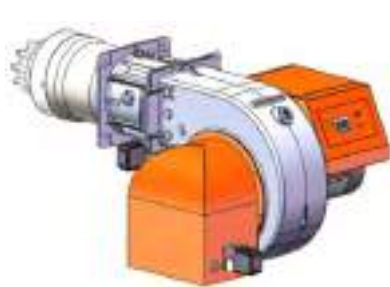


Fig.1



Fig.2

8~12T

## Technological performance and structural descriptions

- ▶ Single-stage / two-stage fire progressive operation (on / off).
- ▶ Proportional regulation work.
- ▶ The emission reaches the European standard CLASS III
- ▶ Detect the pressure signal through the wind pressure switch to ensure the normal operation of the fan and normal air supply.
- ▶ Under the necessary conditions, the burner emission is less than 80mg/Nm3.
- ▶ Through the automatic R.I.D regulator, the proportion can be carried out. Adjust the operation, (together with the adjustment assembly Line order).
- ▶ The air damper automatically closes during pauses to reduce heat loss in the furnace.
- ▶ Independent stepper servo motor control fuel and air flow.
- ▶ The three-phase motor drives the fan.
- ▶ UV flame detection.
- ▶ UV detector self-cleaning cooling system to ensure continuous reliable and safe operation of UV.
- ▶ Controller built-in valve detection control.
- ▶ Standard electrical protection grade IP54.

Model	Power kW	Power supply	Motor power kW	Packing Size LxPxH mm	Net weight kg
E-TBG 800MC	800~8000	3N AC 50Hz 400V	15	1930x1520x1150	460
E-TBG 800ME	800~8000	3N AC 50Hz 400V	15	1930x1520x1150	460
E-TBG 1100MC	1000~11000	3N AC 50Hz 400V	22	1950x1510x1320	490
E-TBG 1100ME	1000~11000	3N AC 50Hz 400V	22	1950x1510x1320	490
E-TBG 1200MC	1200~12000	3N AC 50Hz 400V	30	1950x1510x1320	525
E-TBG 1200ME	1200~12000	3N AC 50Hz 400V	30	1950x1510x1320	520

## Alternative functions

TL is the standard model, the combustion tube can be lengthened and 60Hz can be customized.

## Proportional adjustment function

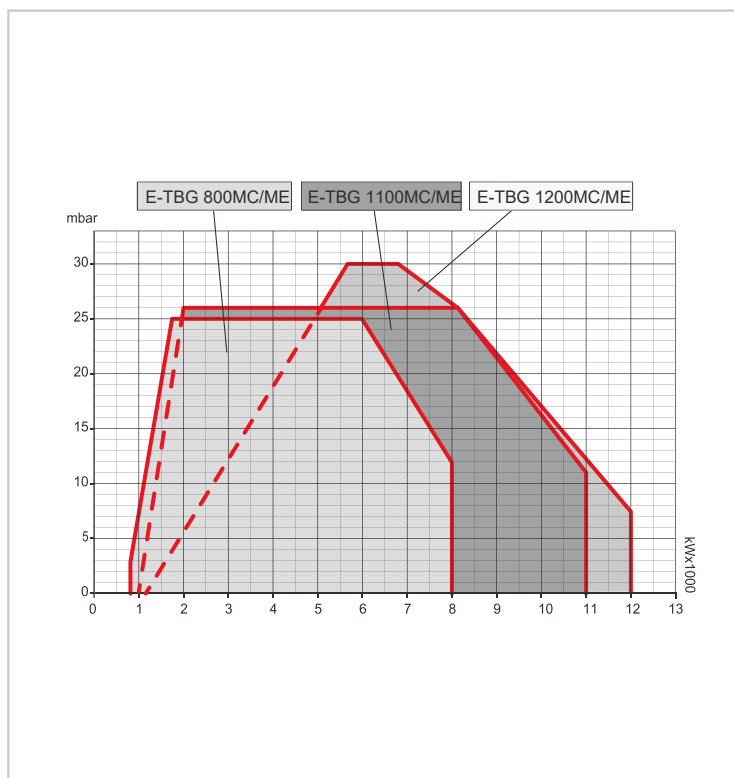
If order the proportional regulator RWF40 or DC1020 and the regulating components, the burner can be operated in proportional regulation.

## Standard accessories

Valve Group -the partnership with the boiler.

## Remark

- 1) Equipped with a device to close the air damper during controlled shutdown.
- \*) The minimum pressure at the valve group inlet required for the burner to reach maximum output when the back pressure in the combustion chamber is zero.
- \*) The maximum gas pressure allowed at the valve group inlet.
- 2) According to the national special equipment safety technical specifications. In the application of the burner in boilers, when the rated output power is greater than 1200kW, the main gas valve group system should be equipped with a valve detection device.

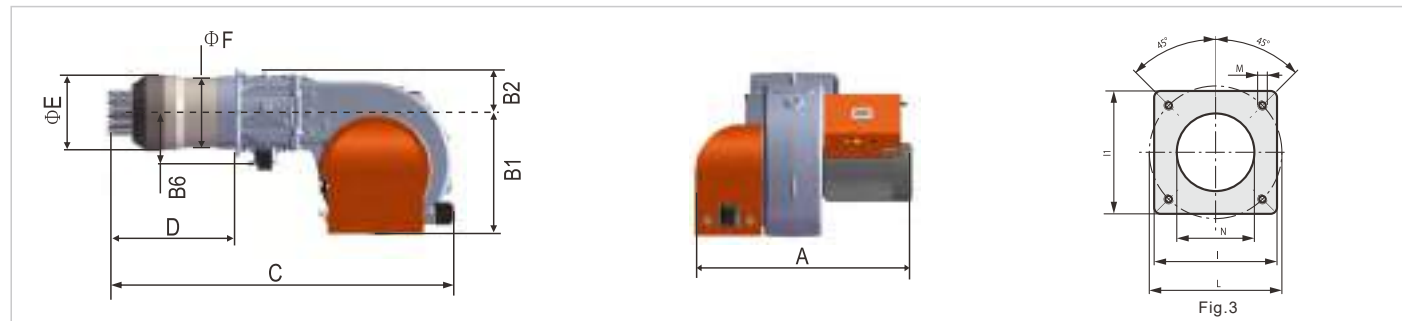


# E-TBG 800-110-1200LX MC/ME 700~12000kW

Technical parameters and valve group

8~12T

Model	A mm	B1 mm	B2 mm	B6 mm	C mm	D mm	D1 mm	E mm	F mm	I mm	I1 mm	L mm	N mm	M mm	Figure No.
E-TBG 800LX MC/ME	1230	740	260	310	2060	760	620	460	415	520	520	594	470	M20	Fig.3
E-TBG 1100LX MC/ME	1365	740	260	310	2060	760	620	460	415	520	520	594	470	M20	Fig.3
E-TBG 1200LX MC/ME	1365	740	260	310	2100	800	-	485	415	520	520	594	495	M20	Fig.3

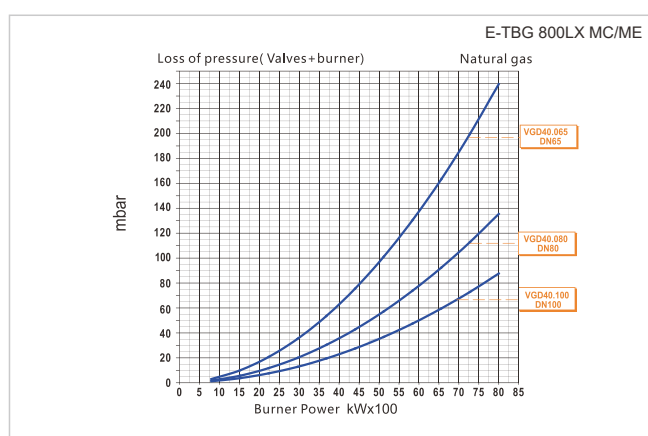


## E-TBG 800MC/ME Natural gas

Curve	Valves code	Max pressure mbar	Filter pressure regulator	Figure No.	Remark
VGD 40.065 (DN65)	included	500	included	Q7	
VGD 40.080 (DN80)	included	500	included	Q7	
VGD 40.100 (DN100)	included	500	included	Q7	

## E-TBG 800ME Natural gas

Curve	Valves code	Max pressure mbar	Filter pressure regulator	Figure No.	Remark
VGD 40.065 (DN65)	included	500	included	Q3	
VGD 40.080 (DN80)	included	500	included	Q3	
VGD 40.100 (DN100)	included	500	included	Q3	

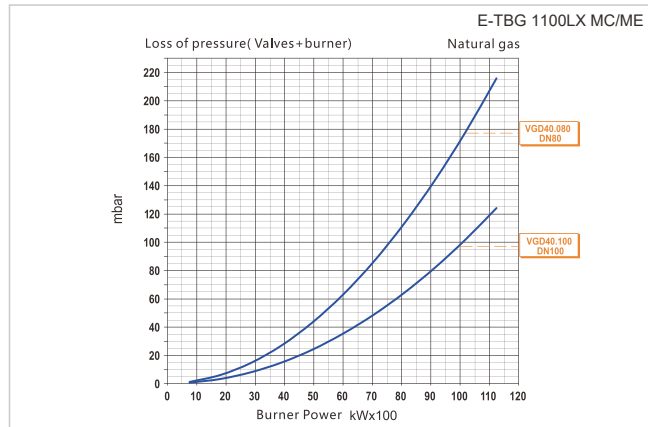


## E-TBG 1100MC/ME Natural gas

Curve	Valves code	Max pressure mbar	Filter pressure regulator	Figure No.	Remark
VGD 40.080 (DN80)	included	500	included	Q7	
VGD 40.100 (DN100)	included	500	included	Q7	

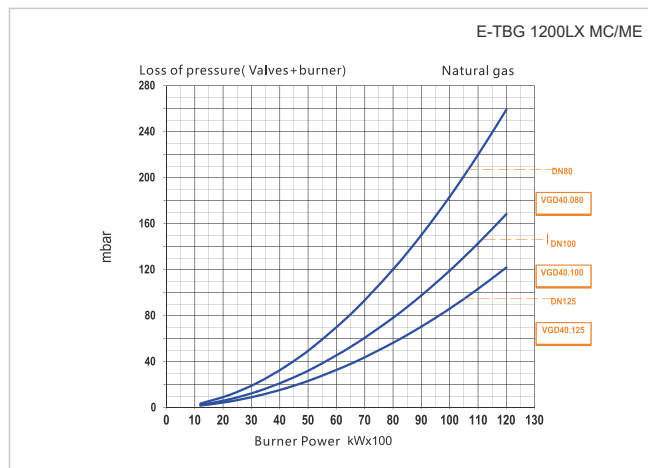
## E-TBG 1100ME Natural gas

Curve	Valves code	Max pressure mbar	Filter pressure regulator	Figure No.	Remark
VGD 40.080 (DN80)	included	500	included	Q3	
VGD 40.100 (DN100)	included	500	included	Q3	



## E-TBG 1200MC/ME Natural gas

Curve	Valves code	Max pressure mbar	Filter pressure regulator	Figure No.	Remark
VGD 40.080 (DN80)	included	500	included	Q7	
VGD 40.100 (DN100)	included	500	included	Q7	
VGD 40.125 (DN125)	included	500	included	Q7	



# E-TBML 7-11 38.5~103kW

Single-stage gas/light oil dual-fuel burner



Fig.1

## Technological performance and structural descriptions

- ▶ Alternating working natural gas/light oil dual fuel burner.
- ▶ Can adapt to any type of combustion chamber.
- ▶ Air and gas are mixed in the combustion head and mechanically pressure atomized.
- ▶ The mixing and atomizing devices can be removed directly without detaching the burner from the boiler, making maintenance easy.
- ▶ Manually adjust air flow.
- ▶ A gas valve set with leak detection is available as an option.
- ▶ The burner is equipped with two hoses, an in-line filter and a nozzle.
- ▶ Upon request: a combustion head larger than the standard length can be provided, and a device for automatic fuel switching can be installed outside the burner.
- ▶ Combustion air inlet with flow regulator.
- ▶ Sliding flanges that match various boiler flanges allow the burner to be positioned in the boiler.
- ▶ Air pressure switch ensures combustion air is available.
- ▶ Gear pump with pressure regulator and shut-off valve.
- ▶ Flame detection by UV photocell.
- ▶ The burner is equipped with terminals for connecting electrical and temperature controllers to the burner.
- ▶ The fan motor meets the European standard IE2.
- ▶ The standard electrical protection rating is IP40. If required, the electrical protection rating can be increased.

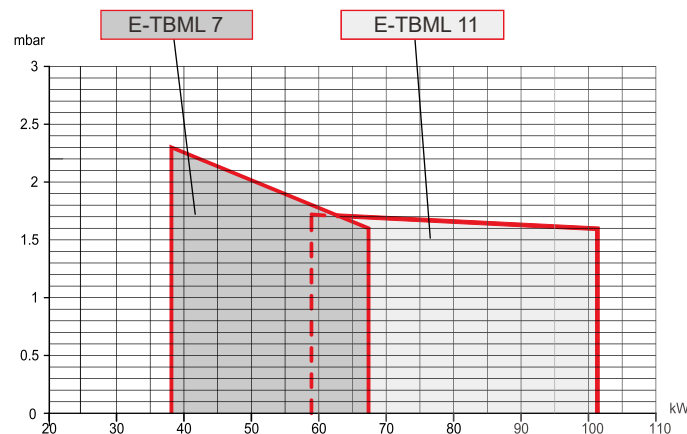
Model	Power kW	Nature gas flow	Light oil flow	E@20°C Max.Viscosity	Power supply	Motor power kW	Packing Size LxPxH mm	Net weight kg
E-TBML 7	38.5~66.8	3.9~6.7	3.3~5.7	1.5	1N AC 50Hz 230V	0.13 + 0.1	1060x650x600	45
E-TBML 11	58.4~103	5.8~10.3	4.9~8.7	1.5	1N AC 50Hz 230V	0.13 + 0.1	1060x650x600	45

## Alternative functions

350mm long combustion head.  
The automatic external fuel switching function (must be specified when ordering the burner and installed by the burner manufacturer before delivery).

## Standard accessories

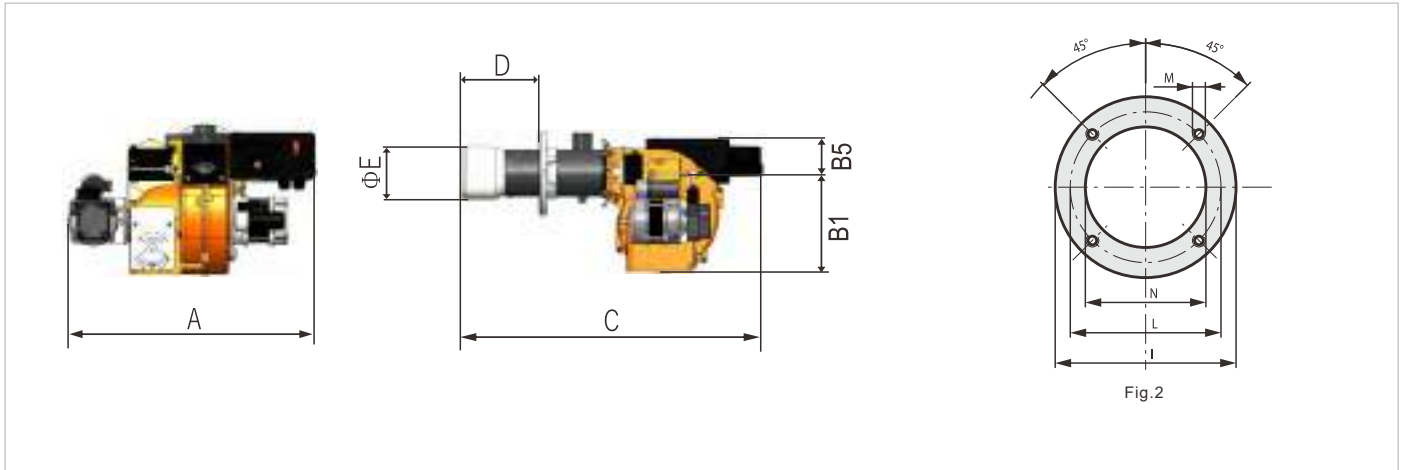
In-line filter-hose-nozzle-components paired with the boiler.



# E-TBML 7-11 38.5~103kW

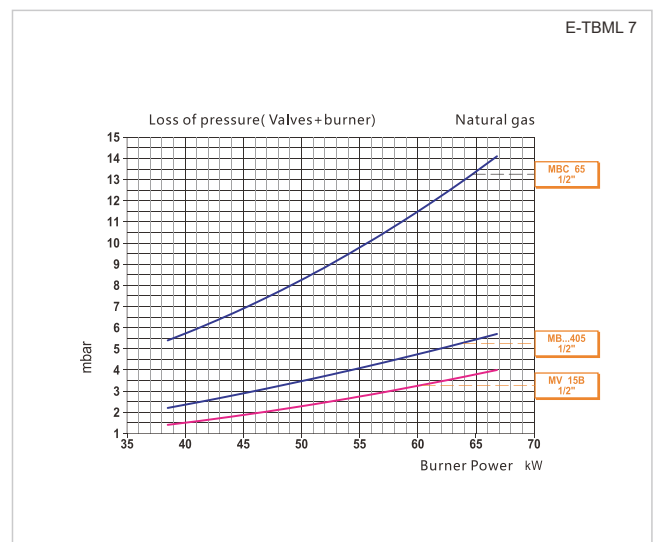
Technical parameters and valve group

Model	A mm	B1 mm	B5 mm	C mm	D mm	E mm	I mm	L mm	M mm	N mm	Figure No.
E-TBML 7	481	205	80	625	40 ~ 156	95	170	130 ~ 155	M8	115	2
E-TBML 11	481	205	80	625	40 ~ 156	95	170	130 ~ 155	M8	115	2



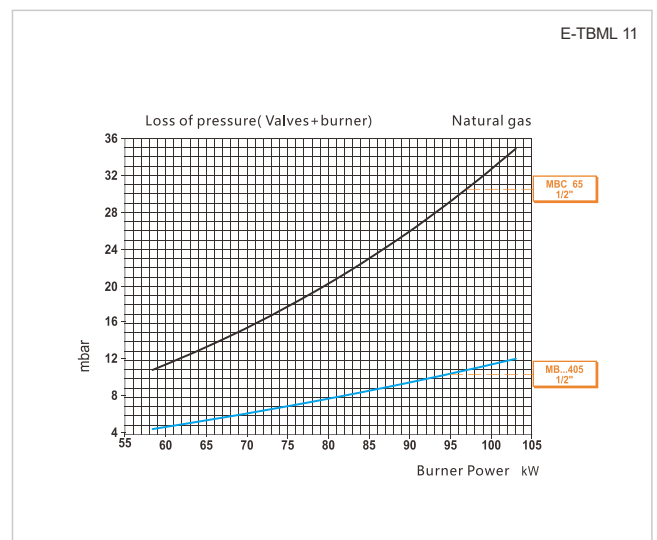
## E-TBML 7 Natural gas

Curve	Valves code	Max pressure mbar	Filter pressure regulator	Burner/valve adapter	Figure No.	Remark
MBC 65 (1/2")	-	65	included	-	F1	LPG
MB...405 (1/2")	-	360	included	-	F1	
MV 15B (1/2")	-	40	-	-	Q8	LPG



## E-TBML 11 Natural gas

Curve	Valves code	Max pressure mbar	Filter pressure regulator	Burner/valve adapter	Figure No.	Remark
MBC 65 (1/2")	-	65	included	-	F1	LPG
MB...405 (1/2")	-	360	included	-	F1	



# E-TBML 20 60~205kW

Single-stage gas/light oil dual-fuel burner



Fig.1



Fig.2

Accessory

P.I.D

°C

Pa

## Technical and performance features

- ▶ Alternating working natural gas/light oil dual fuel burner
- ▶ Single-stage operation(on/off)
- ▶ Can adapt to any type of combustion chamber
- ▶ Air and gas are mixed in the combustion head and mechanically pressure atomized.
- ▶ The mixing and atomizing devices can be removed directly without detaching the burner from the boiler, making maintenance easy.
- ▶ Manually adjust air flow.
- ▶ A gas valve set with leak detection is available as an option.
- ▶ The burner is equipped with two hoses, an in-line filter and a nozzle.
- ▶ Upon request: a combustion head larger than the standard length can be provided, and a device for automatic fuel switching can be installed outside the burner.
- ▶ Combustion air inlet with flow regulator.
- ▶ Sliding flanges that match various boiler flanges allow the burner to be positioned in the boiler.
- ▶ Air pressure switch ensures combustion air is available.
- ▶ Gear pump with pressure regulator and shut-off valve.
- ▶ Flame detection by UV photocell.
- ▶ The burner is equipped with terminals for connecting electrical and temperature controllers to the burner.
- ▶ The fan motor meets the European standard IE2.
- ▶ The standard electrical protection rating is IP40. If required, the electrical protection rating can be increased.

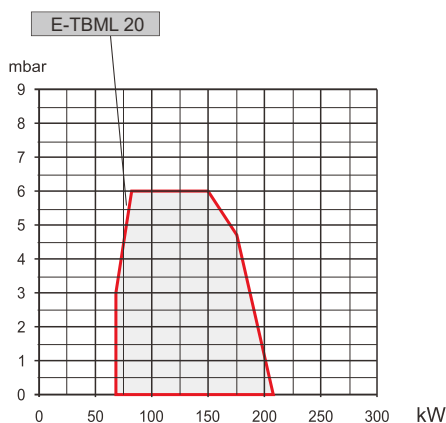
Model	Power kW	Nature gas flow	Light oil flow	E@20°C Max. Viscosity	Power supply	Motor power kW	Packing Size LxPxH mm	Net weight kg
E-TBML 20	60~205	6~20.5	7.6~17.7	1.5	3N AC 50Hz 400V	0.37	1030 x 900 x 660	30

## Alternative functions

350mm long combustion head.  
The automatic external fuel switching function (must be specified when ordering the burner and installed by the burner manufacturer before delivery).

## Standard accessories

In-line filter-hose-nozzle-components paired with the boiler.



# E-TBML 20 60~205kW

Technical parameters and valve group

Model	A mm	B mm	B5 mm	C mm	D mm	E mm	F mm	I mm	I1 mm	L mm	M mm	N mm	Figure No.
E-TBML 20	302	275	70	695	150~300	127	114	185	185	170~210	M10	135	3

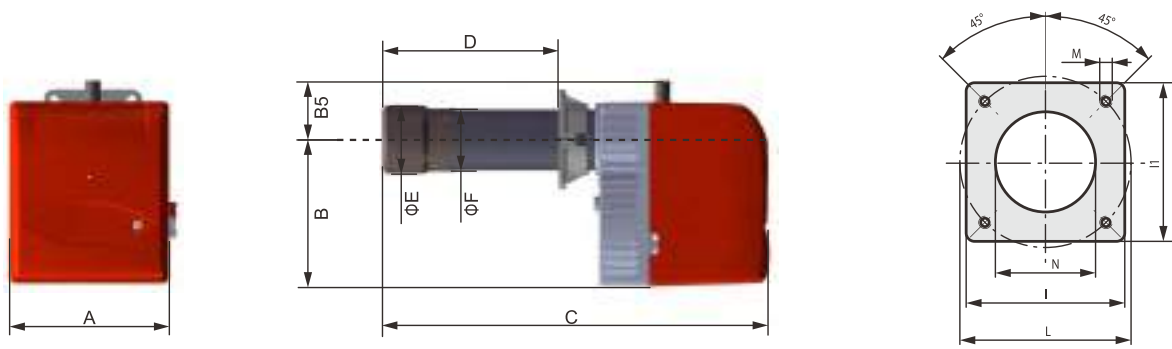
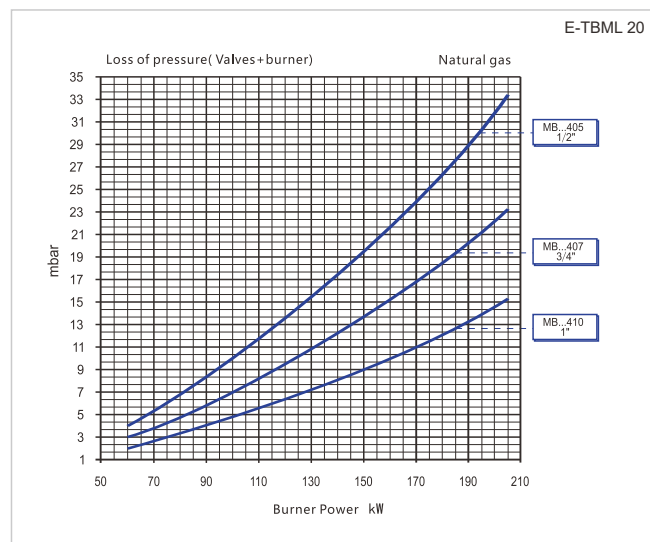


Fig.3

## E-TBML 20

Natural gas

Curve	Valves code	Max pressure mbar	Filter pressure regulator	Burner/valve adapter	Figure No.	Remark
MB...405 (1/2")	included	360	included	-	F1	
MB...407 (1")	included	360	included	-	Q1	
MB...410 (1")	included	360	included	-	Q1	



# E-TBML 30/30MC 80~410kW

Single-stage /two-stage progressive/modulating electronic/gas&light oil dual-fuel burner



Fig.1



Fig.2

Accessory

P.I.D

°C

Pa

## Technical and performance features

- ▶ Alternating working natural gas/light oil dual fuel burner.
- ▶ Natural gas works in progressive two stages, and light oil works in two stages.
- ▶ The burner gas emission reaches the European standard CLASS III.
- ▶ The burner fuel emission reaches the European standard CLASS III.
- ▶ The air damper is closed when the burner is shutdown.
- ▶ The control panel has a signal indicator panel and work indicator light.
- ▶ Flame detection by UV photocell.
- ▶ Gas train outlet: Down.
- ▶ The fan motor meets the European standard IE2.
- ▶ Air and gas are mixed in the combustion head and mechanically pressure atomized.
- ▶ The mixing and atomizing devices can be removed directly without detaching the burner from the boiler, making maintenance easy.
- ▶ The standard electrical protection rating is IP40. If required, the electrical protection rating can be increased.
- ▶ Sliding flanges that match various boiler flanges allow the burner to be positioned in the boiler.

Model	Power kW	Nature gas flow	Light oil flow	E@20°C Max.Viscosity	Power supply	Motor power kW	Packing Size LxPxH mm	Net weight kg
E-TBML 30	80~410	8~41	15.1~31.2	1.5	3N AC 50Hz 400V	0.37	1030 x 900 x 660	45
E-TBML 30MC	80~410	8~41	15.1~31.2	1.5	3N AC 50Hz 400V	0.37	1030 x 900 x 660	45

## Electronic modulation function

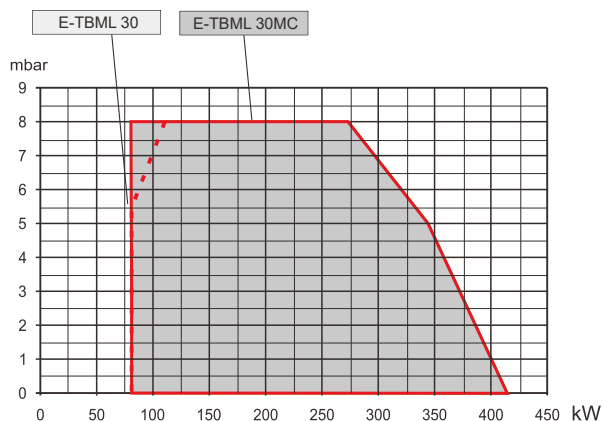
Customers need to order P.I.D automatic output regulator and adjustment components (temperature or pressure probe) separately, and the combustion gas can achieve modulating electronic operation.

## Remark

- 1.The burner are equipped with automatic air shut-off device.
- 2.When the gas pressure of the safety valve is less than 12 mbar replace the minimum pressure switch with GW50.

## Standard accessories

E-TBML45/60MC:Onlinefilter-hose-nozzle(seeP15-16)-Components paired with the boiler.



# E-TBML 30/30MC 80~410kW

Technical parameters and valve group

Model	A mm	B1 mm	B2 mm	B6 mm	C mm	D mm	E mm	F mm	I mm	I1 mm	L mm	M mm	N mm	Figure No.
E-TBML 30	440	270	110	160	860	140~300	135	133	215	215	200~245	M12	145	3
E-TBML 30MC	530	270	110	160	960	140~350	135	133	215	215	200~245	M12	145	3

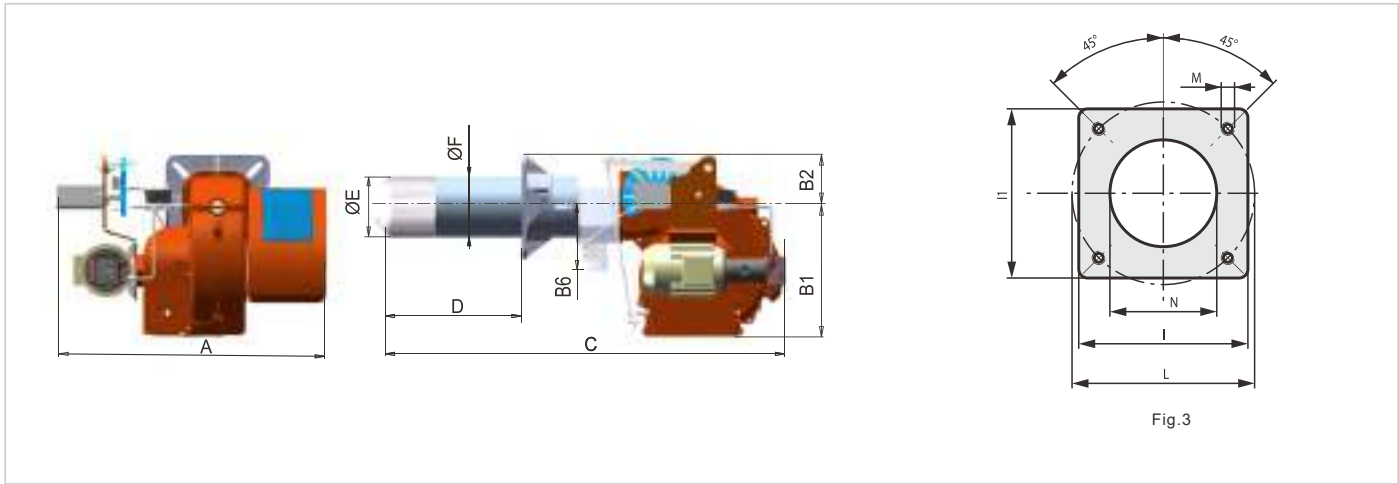
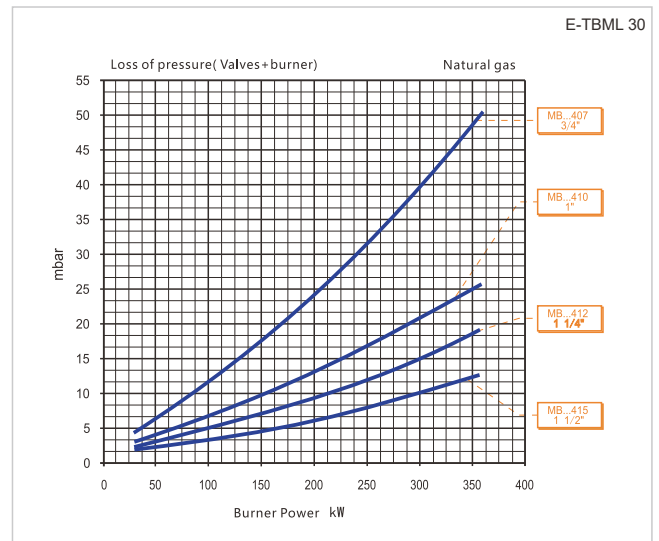


Fig.3

## E-TBML 30

Natural gas

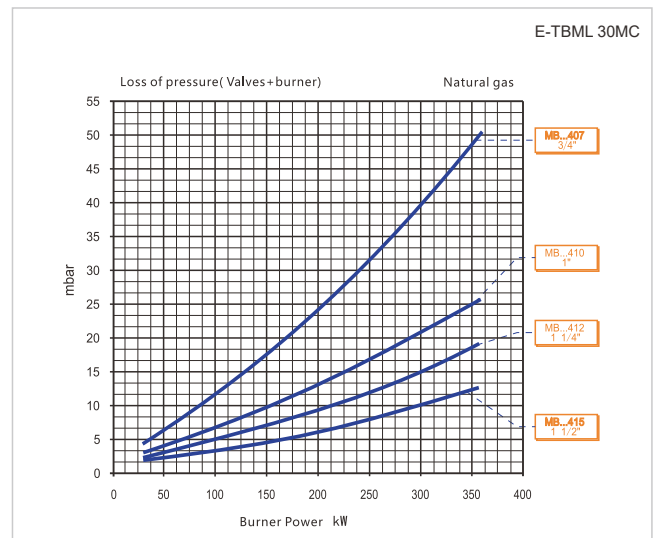
Curve	Valves code	Max pressure mbar	Filter pressure regulator	Burner/valve adapter	Figure No.	Remark
MB...407 (1")	included	360	included	-	Q1	
MB...410 (1")	included	360	included	-	Q1	
MB...412 (1 1/4")	included	360	included	-	Q1	
MB...415 (1 1/2")	included	360	included	-	Q1	



## E-TBML 30MC

Natural gas

Curve	Valves code	Max pressure mbar	Filter pressure regulator	Burner/valve adapter	Figure No.	Remark
MB...407 (1")	included	360	included	-	Q1	
MB...410 (1")	included	360	included	-	Q1	
MB...412 (1 1/4")	included	360	included	-	Q1	
MB...415 (1 1/2")	included	360	included	-	Q1	



# E-TBML 45/60MC 100~600kW

Two-stage /two-stage progressive/modulating electronic/gas&light oil dual-fuel burner

0.5T



Fig.1



Fig.2

Accessory

P.I.D

°C

Pa

## Technical and performance features

- ▶ Alternating working natural gas/light oil dual fuel burner.
- ▶ Natural gas works in progressive two stages, and light oil works in two stages.
- ▶ The burner gas emission reaches the European standard CLASS III.
- ▶ The burner fuel emission reaches the European standard CLASS III.
- ▶ The air damper is closed when the burner is shutdown.
- ▶ The control panel has a signal indicator panel and work indicator light.
- ▶ Flame detection by UV photocell.
- ▶ Gas train outlet: Down.
- ▶ The fan motor meets the European standard IE2.
- ▶ Air and gas are mixed in the combustion head and mechanically pressure atomized.
- ▶ The mixing and atomizing devices can be removed directly without detaching the burner from the boiler, making maintenance easy.
- ▶ The standard electrical protection rating is IP40. If required, the electrical protection rating can be increased.
- ▶ Sliding flanges that match various boiler flanges allow the burner to be positioned in the boiler.

Model	Power kW	Nature gas flow	Light oil flow	E@20°C Max. Viscosity	Power supply	Motor power kW	Packing Size LxPxH mm	Net weight kg
E-TBML 45MC	100(200)*~500	10~50	17~42	1.5	3N AC 50Hz 400V	0.65	1030 x 900 x 660	49
E-TBML 60MC	200~600	20~60	17~51	1.5	3N AC 50Hz 400V	0.65+0.1	1050 x 750 x 480	57

## Electronic modulation function

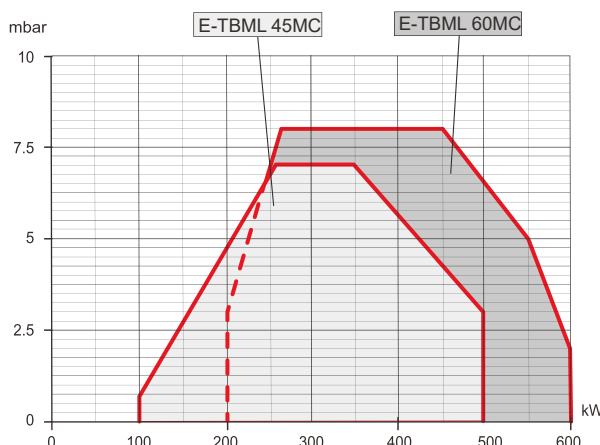
Customers need to order P.I.D automatic output regulator and adjustment components (temperature or pressure probe) separately, and the combustion gas can achieve modulating electronic operation

## Remark

1. The burner are equipped with automatic air shut-off device.
2. When the gas pressure of the safety valve is less than 12 mbar replace the minimum pressure switch with GW50.

## Standard accessories

E-TBML45/60MC: Online filter-hose-nozzle(see P15-16)-Components paired with the boiler.

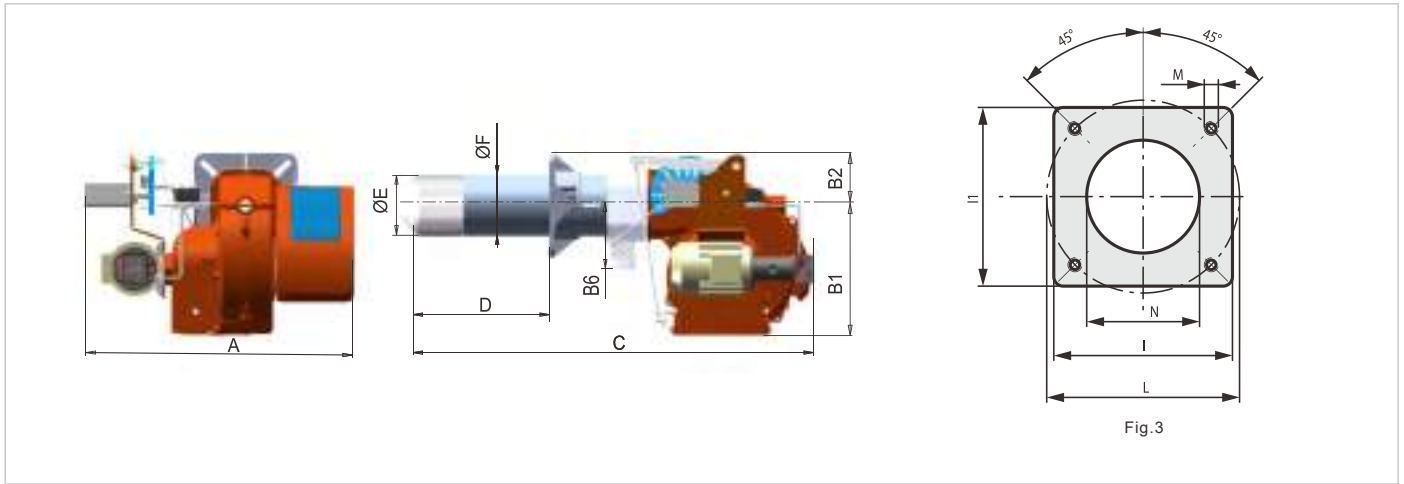


# E-TBML 45/60MC 100~600kW

Technical parameters and valve group

0.5T

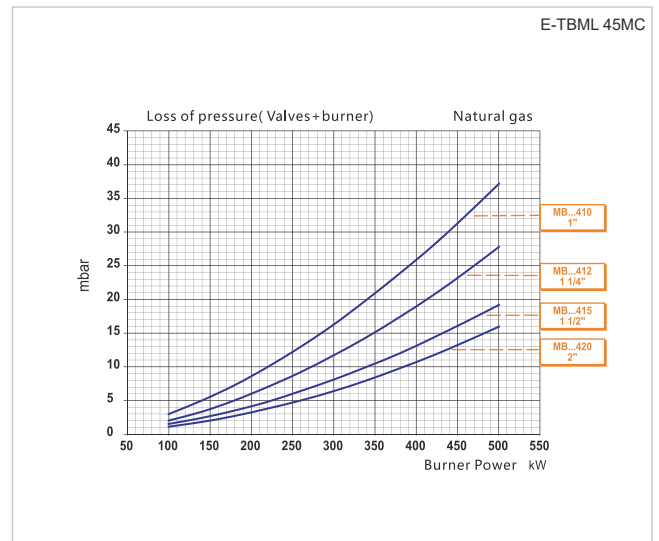
Model	A mm	B1 mm	B2 mm	B6 mm	C mm	D mm	E mm	F mm	I mm	I1 mm	L mm	M mm	N mm	Figure No.
E-TBML 45MC	670	325	130	160	980	140~350	152	152	260	260	225~300	M12	160	3
E-TBML 60MC	670	325	130	160	1010	140~350	152	152	260	260	225~300	M12	160	3



## E-TBML 45MC

Natural gas

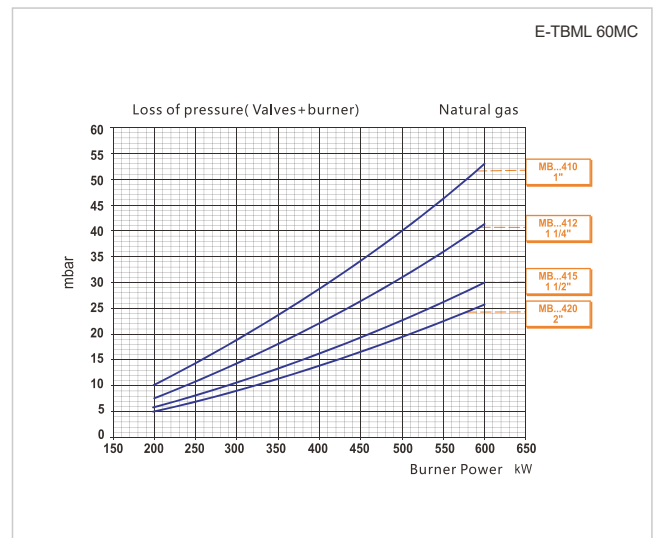
Curve	Valves code	Max pressure mbar	Filter pressure regulator	Burner/valve adapter	Figure No.	Remark
MB...410 (1")	included	360	included	-	Q1	
MB...412 (1 1/4")	included	360	included	-	Q1	
MB...415 (1 1/2")	included	360	included	-	Q1	
MB...420 (2")	included	360	included	-	Q1	



## E-TBML 60MC

Natural gas

Curve	Valves code	Max pressure mbar	Filter pressure regulator	Burner/valve adapter	Figure No.	Remark
MB...410 (1")	included	360	included	-	Q1	
MB...412 (1 1/4")	included	360	included	-	Q1	
MB...415 (1 1/2")	included	360	included	-	Q1	
MB...420 (2")	included	360	included	-	Q1	



## E-TBML 80/120MC 180~1200kW

Two-stage /two-stage progressive/modulating electronic/gas&light oil dual-fuel burner

1.0T



Fig.1



Fig.2

Accessory

P.I.D

°C

Pa

### Technical and performance features

- ▶ Burners with alternate gas/oil dual supply.
- ▶ Natural gas works in progressive two stages, and light oil works in two stages.
- ▶ The burner gas emission reaches the European standard CLASS III.
- ▶ The burner fuel emission reaches the European standard CLASS III.
- ▶ The air damper is closed when the burner is shutdown.
- ▶ The control panel has a signal indicator panel and work indicator light.
- ▶ Flame detection by UV photocell.
- ▶ Gas train outlet: Down.
- ▶ The fan motor meets the European standard IE2.
- ▶ Air and gas are mixed in the combustion head and mechanically pressure atomized.
- ▶ The mixing and atomizing devices can be removed directly without detaching the burner from the boiler, making maintenance easy.
- ▶ The standard electrical protection rating is IP40. If required, the electrical protection rating can be increased.
- ▶ Sliding flanges that match various boiler flanges allow the burner to be positioned in the boiler.

Model	Power kW	Nature gas flow	Light oil flow	E@20°C Max.Viscosity	Power supply	Motor power kW	Packing Size LxPxH mm	Net weight kg	Remark
E-TBML 80MC	180(350)*~850	18~85	30.0~72.0	1.5	3N AC 50Hz 400V	1.1	1500x1000x720	120	1)
E-TBML 120MC	250(450)*~1200	25~120	38.0~100.0	1.5	3N AC 50Hz 400V	1.5	1500x1000x720	140	1)

### Electronic modulation function

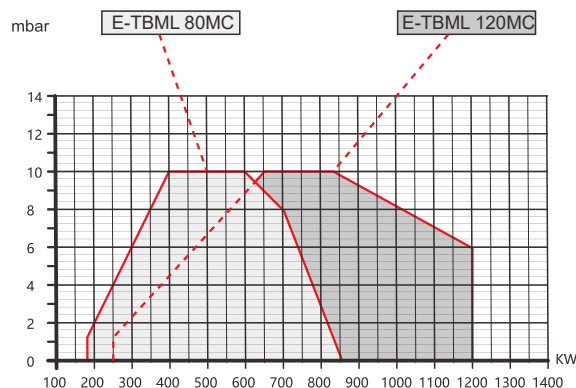
Customers need to order P.I.D automatic output regulator and adjustment components (temperature or pressure probe) separately, and the combustion gas can achieve modulating electronic operation.

### Remark

1. The burner are equipped with automatic air shut-off device.
2. When the gas pressure of the safety valve is less than 12 mbar replace the minimum pressure switch with GW50.

### Standard accessories

E-TBML80/120MC:Onlinefilter-hose-nozzle(seeP15-16)-Components paired with the boiler.



# E-TBML 80/120MC 180~1200kW

Technical parameters and valve group

1.0T

Model	A mm	B1 mm	B2 mm	B6 mm	C mm	D mm	E mm	F mm	I mm	I1 mm	L mm	M mm	N mm	Figure No.
EBXML 80MC	770	380	140	220	1230	230~430	180	178	280	280	250~325	M12	190	3
EBXML 120MC	770	380	160	220	1230	230~430	224	219	320	320	280~370	M12	235	3

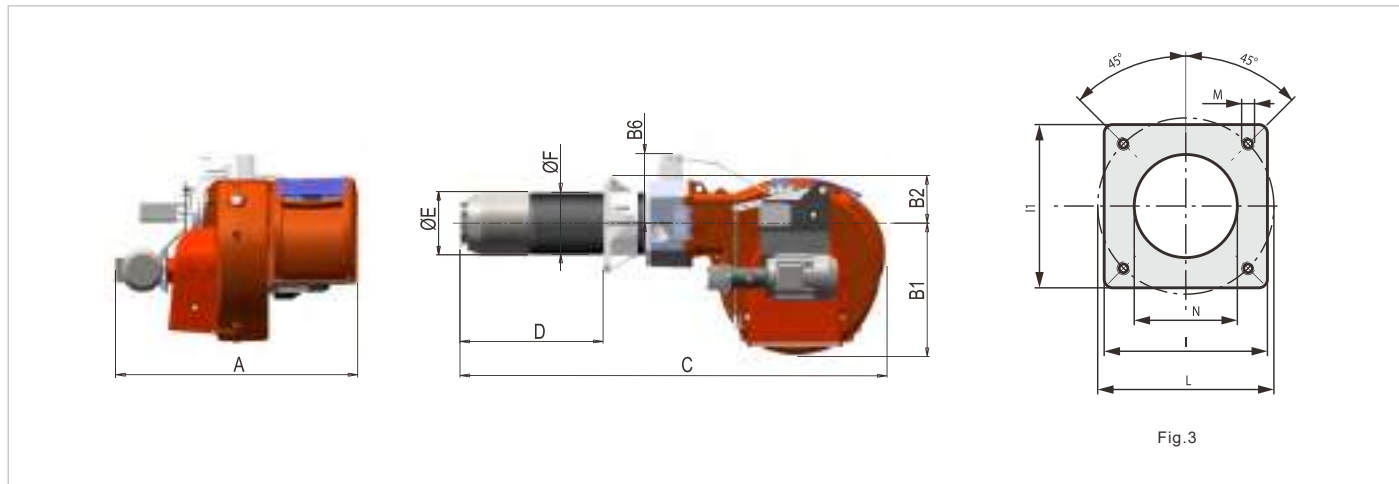
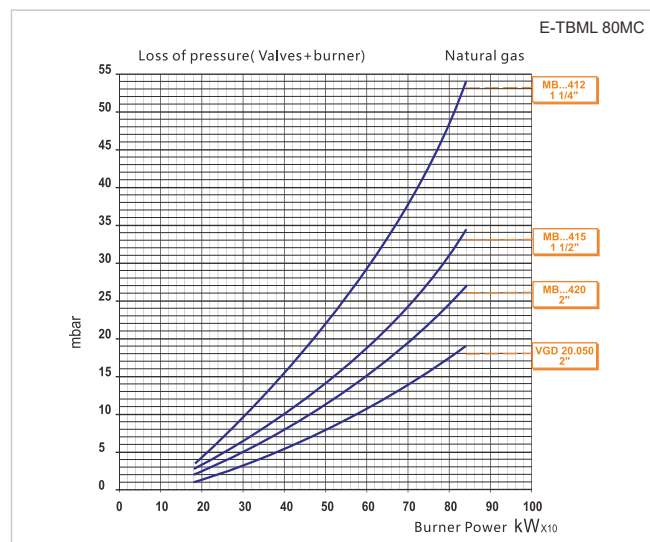


Fig.3

## E-TBML 80MC

Natural gas

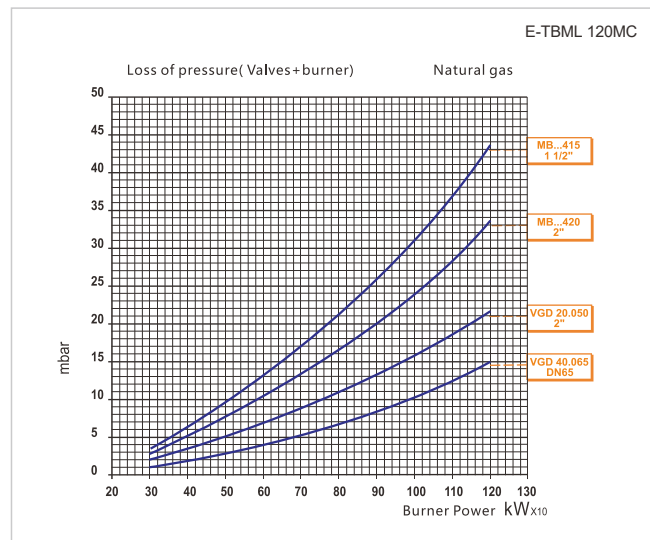
Curve	Valves code	Max pressure mbar	Filter pressure regulator	Burner/valve adapter	Figure No.	Remark
MB...412 (1 1/4")	included	360	included	-	Q6	
MB...415 (1 1/2")	included	360	included	-	Q6	
MB...420 (2")	included	360	included	-	Q6	
VGD 20.050 (2")	included	500	included	-	Q6	



## E-TBML 120MC

Natural gas

Curve	Valves code	Max pressure mbar	Filter pressure regulator	Burner/valve adapter	Figure No.	Remark
MB...415 (1 1/2")	included	360	included	-	Q6	
MB...420 (2")	included	360	included	-	Q6	
VGD 20.050 (2")	included	500	included	-	Q6	
VGD 40.065 (DN65)	included	500	included	-	Q6	



# E-TBML 150/160MC 350~1600kW

Two-stage /two-stage progressive/modulating electronic/gas&light oil dual-fuel burner

1.5T



Fig.1



Fig.2

Accessory

P.I.D

°C

Pa

## Technical and performance features

- ▶ Burners with alternate gas/oil dual supply.
- ▶ Natural gas works in progressive two stages, and light oil works in two stages.
- ▶ The burner gas emission reaches the European standard CLASS III.
- ▶ The burner fuel emission reaches the European standard CLASS III.
- ▶ The air damper is closed when the burner is shutdown.
- ▶ The control panel has a signal indicator panel and work indicator light.
- ▶ Flame detection by UV photocell.
- ▶ Gas train outlet: Down.
- ▶ The fan motor meets the European standard IE2.
- ▶ Air and gas are mixed in the combustion head and mechanically pressure atomized.
- ▶ The mixing and atomizing devices can be removed directly without detaching the burner from the boiler, making maintenance easy.
- ▶ The standard electrical protection rating is IP40. If required, the electrical protection rating can be increased.
- ▶ Sliding flanges that match various boiler flanges allow the burner to be positioned in the boiler.

Model	Power kW	Nature gas flow	Light oil flow kg/h	E@20°C Max.Viscosity	Power supply	Motor power kW	Packing Size LxPxH mm	Net weight kg	Remark
E-TBML 150MC	350(550)*~1500	55~150	47.0~125	1.5	3N AC 50Hz 400V	2.2	1500x1000x720	145	1)
E-TBML 160MC	350(550)*~1600	55~160	46.4~134	1.5	3N AC 50Hz 400V	3.0	1500x1000x720	148	1)

## Electronic modulation function

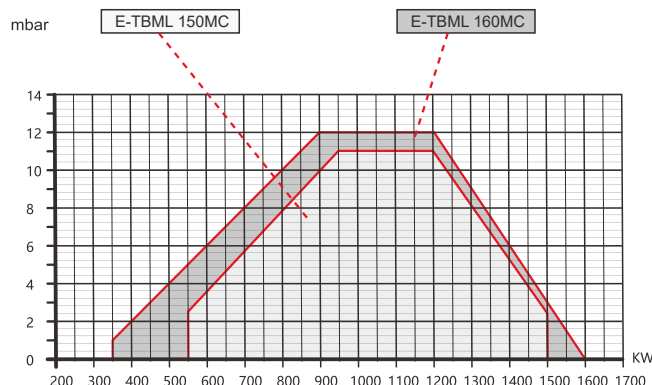
Customers need to order P.I.D automatic output regulator and adjustment components (temperature or pressure probe) separately, and the combustion gas can achieve modulating electronic operation.

## Remark

1. The burner are equipped with automatic air shut-off device.
2. When the gas pressure of the safety valve is less than 12 mbar replace the minimum pressure switch with GW50.

## Standard accessories

E-TBML150/160MC:Onlinefilter-hose-nozzle(seeP15-16)-Components paired with the boiler.



# E-TBML 150/160MC 350~1600kW

Technical parameters and valve group

1.5T

Model	A mm	B1 mm	B2 mm	B6 mm	C mm	D mm	E mm	F mm	I mm	I1 mm	L mm	M mm	N mm	Figure No.
E-TBML 150MC	770	380	160	220	1320	300~530	224	219	320	320	280~370	M12	235	3
E-TBML 160MC	770	380	160	220	1320	300~530	224	219	320	320	280~370	M12	235	3

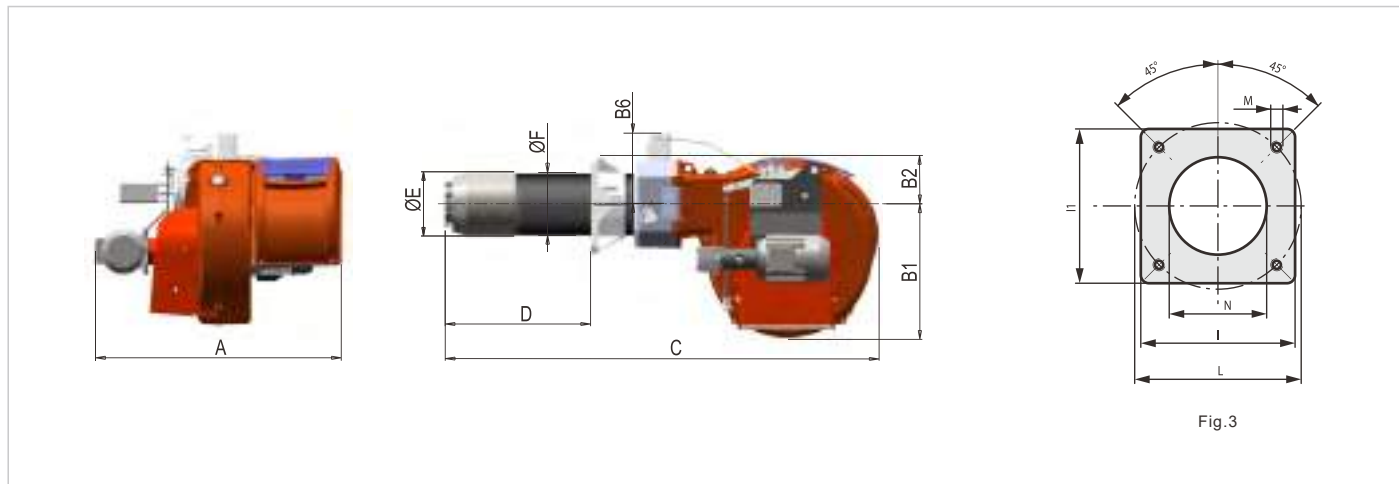
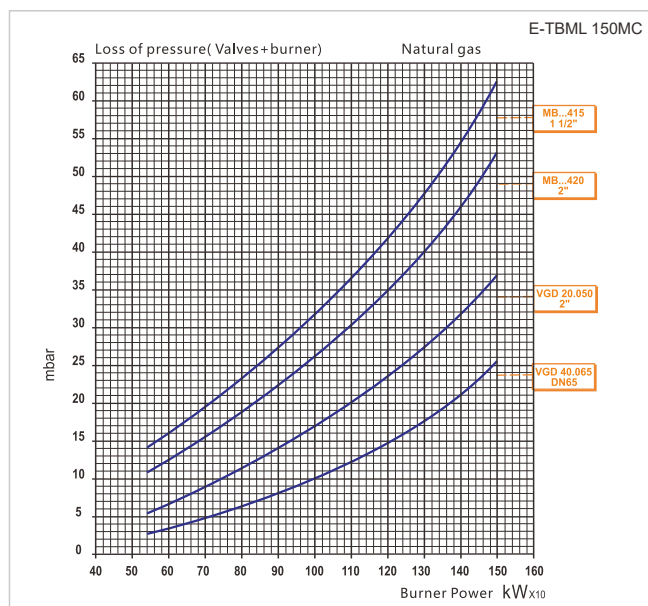


Fig.3

## E-TBML 150MC

Natural gas

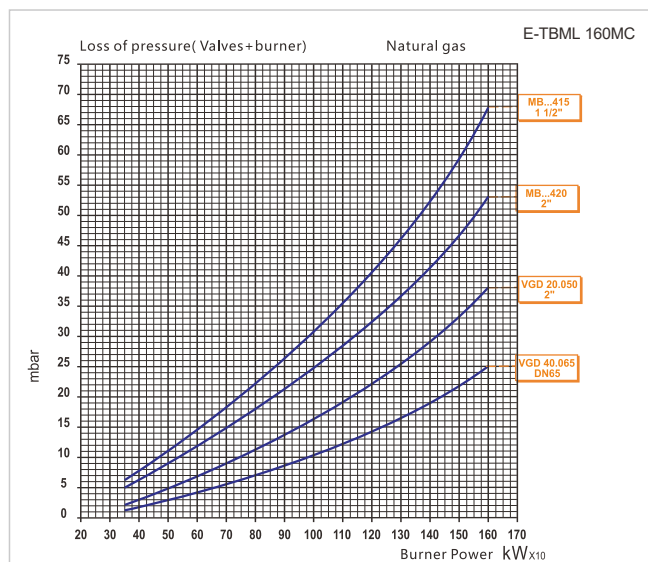
Curve	Valves code	Max pressure mbar	Filter pressure regulator	Burner/valve adapter	Figure No.	Remark
MB...415 (1 1/2")	included	360	included	-	Q6	
MB...420 (2")	included	360	included	-	Q6	
VGD 20.050 (2")	included	500	included	-	Q6	
VGD 40.065 (DN65)	included	500	included	-	Q6	



## E-TBML 160MC

Natural gas

Curve	Valves code	Max pressure mbar	Filter pressure regulator	Burner/valve adapter	Figure No.	Remark
MB...415 (1 1/2")	included	360	included	-	Q6	
MB...420 (2")	included	360	included	-	Q6	
VGD 20.050 (2")	included	500	included	-	Q6	
VGD 40.065 (DN65)	included	500	included	-	Q6	



# E-TBML 200MC 450~2000kW

Two-stage /two-stage progressive/modulating electronic/gas&light oil dual-fuel burner

2T



Fig.1



Fig.2

Accessory

P.I.D

°C

Pa

## Technical and performance features

- ▶ Burners with alternate gas/oil dual supply.
- ▶ Natural gas works in progressive two stages, and light oil works in two stages.
- ▶ The burner gas emission reaches the European standard CLASS III.
- ▶ The burner fuel emission reaches the European standard CLASS III.
- ▶ The air damper is closed when the burner is shutdown.
- ▶ The control panel has a signal indicator panel and work indicator light.
- ▶ Flame detection by UV photocell.
- ▶ Gas train outlet: Down.
- ▶ The fan motor meets the European standard IE2.
- ▶ Air and gas are mixed in the combustion head and mechanically pressure atomized.
- ▶ The mixing and atomizing devices can be removed directly without detaching the burner from the boiler, making maintenance easy.
- ▶ The standard electrical protection rating is IP40. If required, the electrical protection rating can be increased.
- ▶ Sliding flanges that match various boiler flanges allow the burner to be positioned in the boiler.

Model	Power kW	Nature gas flow	Light oil flow	E@20°C Max.Viscosity	Power supply	Motor power kW	Packing Size LxPxH mm	Net weight kg	Remark
E-TBML 200MC	450(700)*~2000	45~200	59~168	1.5	3N AC 50Hz 400V	3.0	1500x1000x720	155	1)

## Electronic modulation function

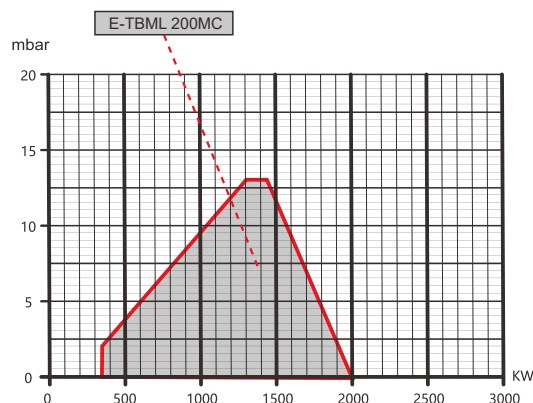
Customers need to order P.I.D automatic output regulator and adjustment components (temperature or pressure probe) separately, and the burner can achieve modulating electronic operation..

## Remark

1. The burner are equipped with automatic air shut-off device.
2. When the gas pressure of the safety valve is less than 12 mbar replace the minimum pressure switch with GW50.

## Standard accessories

E-TBML200MC: Onlinefilter-hose-nozzle(seeP15-16)-Components paired with the boiler.

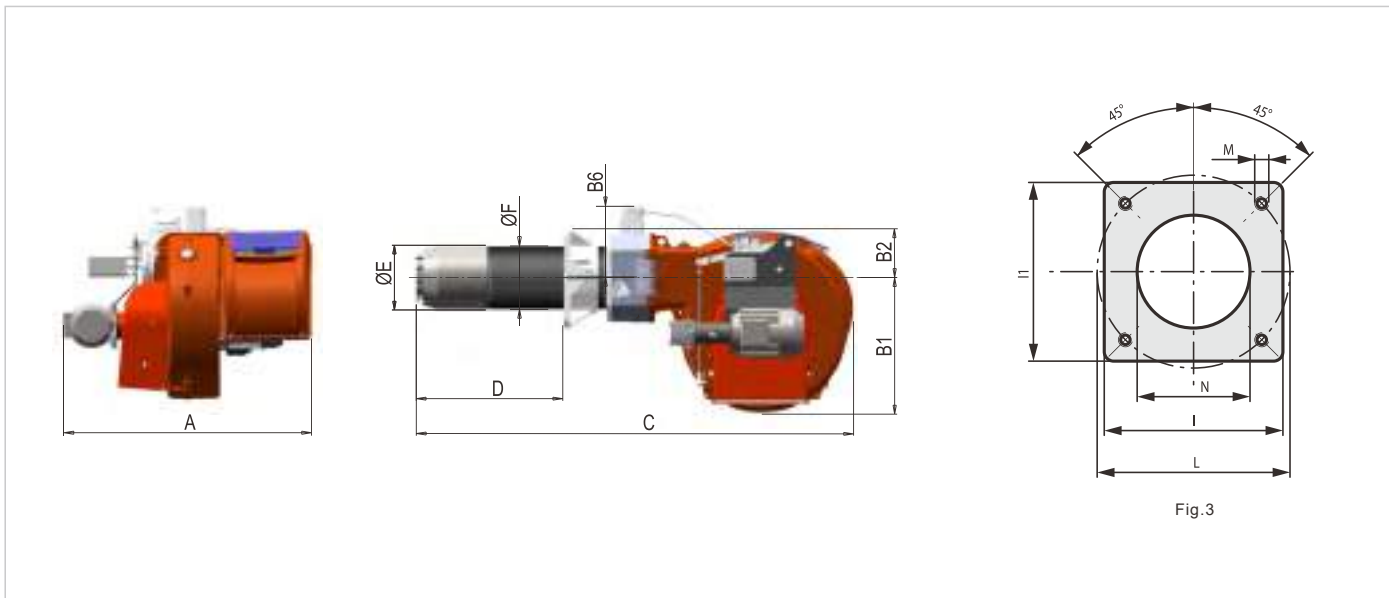


# E-TBML 200MC 450~2000kW

Technical parameters and valve group

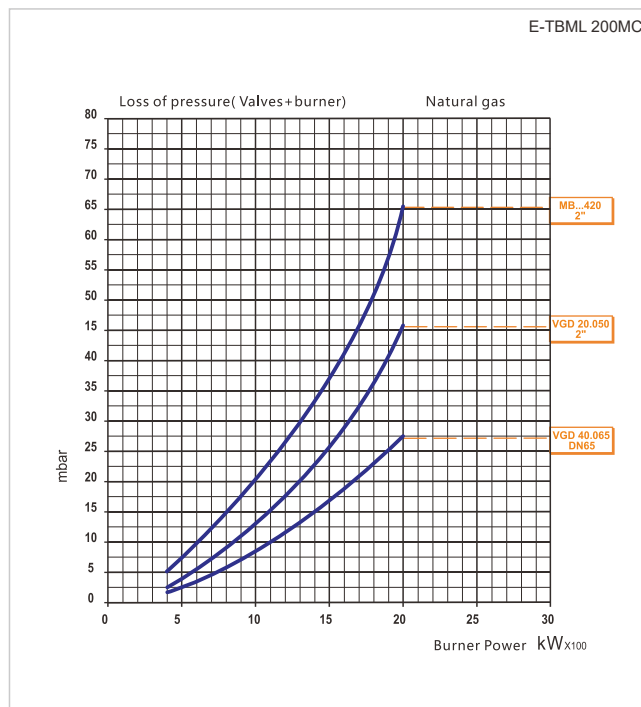
2T

Model	A mm	B1 mm	B2 mm	B6 mm	C mm	D mm	E mm	F mm	I mm	I1 mm	L mm	M mm	N mm	Figure No.
E-TBML 200MC	770	380	160	220	1320	300~530	224	219	320	320	280~370	M12	235	3



E-TBML 200MC Natural gas

Curve	Valves code	Max pressure mbar	Filter pressure regulator	Burner/valve adapter	Figure No.	Remark
MB...420 (2")	included	360	included	-	Q6	
VGD 20.050 (2")	included	500	included	-	Q6	
VGD 40.065 (DN65)	included	500	included	-	Q6	



# E-TBML 260MC 500~2600kW

Two-stage /two-stage progressive/modulating electronic/gas&light oil dual-fuel burner

3T



Fig.1



Fig.2

Accessory

- P.I.D
- °C
- Pa

## Technical and performance features

- ▶ Burners with alternate gas/oil dual supply.
- ▶ Natural gas works in progressive two stages, and light oil works in two stages.
- ▶ The burner gas emission reaches the European standard CLASS III.
- ▶ The burner fuel emission reaches the European standard CLASS III.
- ▶ The air damper is closed when the burner is shutdown.
- ▶ The control panel has a signal indicator panel and work indicator light.
- ▶ Flame detection by UV photocell.
- ▶ Gas train outlet: Down.
- ▶ The fan motor meets the European standard IE2.
- ▶ Air and gas are mixed in the combustion head and mechanically pressure atomized.
- ▶ The mixing and atomizing devices can be removed directly without detaching the burner from the boiler, making maintenance easy.
- ▶ The standard electrical protection rating is IP40. If required, the electrical protection rating can be increased.
- ▶ Sliding flanges that match various boiler flanges allow the burner to be positioned in the boiler.

Model	Power kW	Nature gas flow(m³/h)	Light oil flow kg/h	E@20°C Max.Viscosity	Power supply	Motor power kW	Packing Size LxPxH mm	Net weight kg	Remark
E-TBML 260MC	500(900)*~2600	50~260	76.3~220.4	1.5	3N AC 50Hz 400V	5.5	1500x1000x720	180	1)

## Electronic modulation function

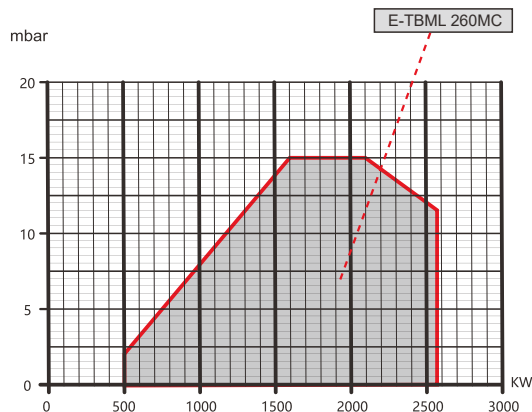
Customers need to order P.I.D automatic output regulator and adjustment components (temperature or pressure probe) separately, and the burner can achieve modulating electronic operation.

## Remark

1. The burner are equipped with automatic air shut-off device.
2. When the gas pressure of the safety valve is less than 12 mbar replace the minimum pressure switch with GW50.

## Standard accessories

E-TBML260MC: Online filter-hose-nozzle(see P15-16)-Components paired with the boiler.



# E-TBML 260MC 500~2600kW

Technical parameters and valve group

3T

Model	A mm	B1 mm	B2 mm	B6 mm	C mm	D mm	E mm	F mm	I mm	I1 mm	L mm	M mm	N mm	Figure No.
E-TBML 260MC	880	395	160	220	1350	300~530	250	219	320	320	280~370	M12	275	3

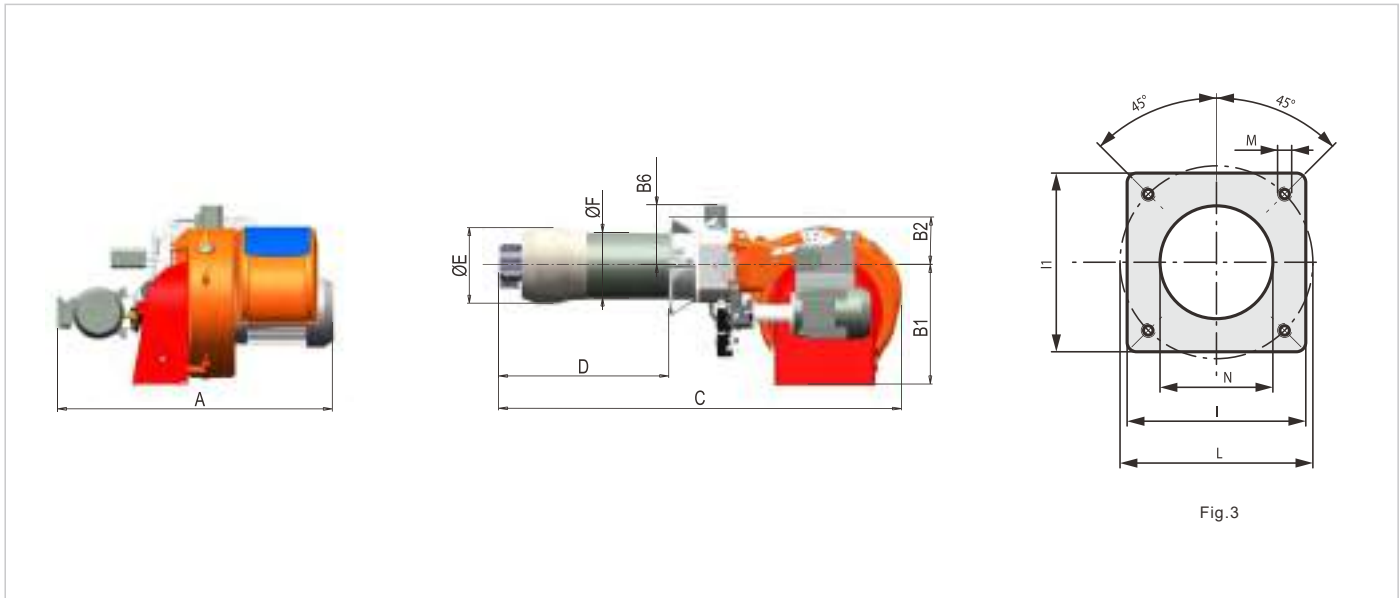
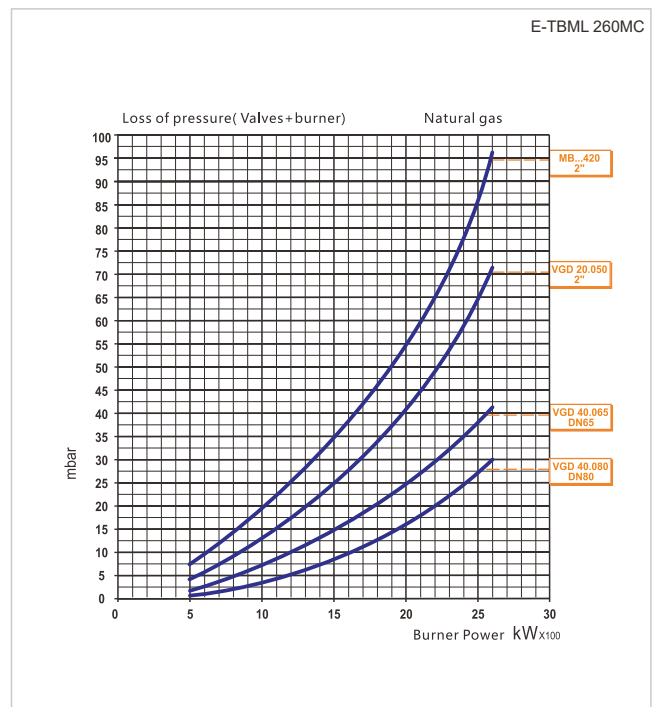


Fig.3

E-TBML 260MC Natural gas

Curve	Valves code	Max pressure mbar	Filter pressure regulator	Burner/valve adapter	Figure No.	Remark
MB...420 (2")	included	360	included	-	Q2	
VG 20.050 (2")	included	500	included	-	Q3	
VG 40.065 (DN65)	included	500	included	-	Q3	
VG 40.080 (DN80)	included	500	included	-	Q3	



# E-TBML 360MC 600~3600kW

Two-stage /two-stage progressive/modulating electronic/gas&light oil dual-fuel burner

3.5T



Fig.1

Accessory

- P.I.D
- °C
- Pa

## Technical and performance features

- ▶ Burners with alternate gas/oil dual supply.
- ▶ Natural gas works in progressive two stages, and light oil works in two stages.
- ▶ The burner gas emission reaches the European standard CLASS III.
- ▶ The burner fuel emission reaches the European standard CLASS III.
- ▶ The air damper is closed when the burner is shutdown.
- ▶ The control panel has a signal indicator panel and work indicator light.
- ▶ Flame detection by UV photocell.
- ▶ Gas train outlet: Down.
- ▶ The fan motor meets the European standard IE2.
- ▶ Air and gas are mixed in the combustion head and mechanically pressure atomized.
- ▶ The mixing and atomizing devices can be removed directly without detaching the burner from the boiler, making maintenance easy..
- ▶ The standard electrical protection rating is IP40. If required, the electrical protection rating can be increased.
- ▶ Sliding flanges that match various boiler flanges allow the burner to be positioned in the boiler.

Model	Power kW	Nature gas flow(m³/h)	Light oil flow kg/h	E@20°C Max.Viscosity	Power supply	Motor power kW	Packing Size LxPxH mm	Net weight kg	Remark
E-TBML 360MC	600(750)*~3600	60~360	38~304	1.5	3N AC 50Hz 400V	7+1.5	1500x1000x720	195	1)

## Electronic modulation function

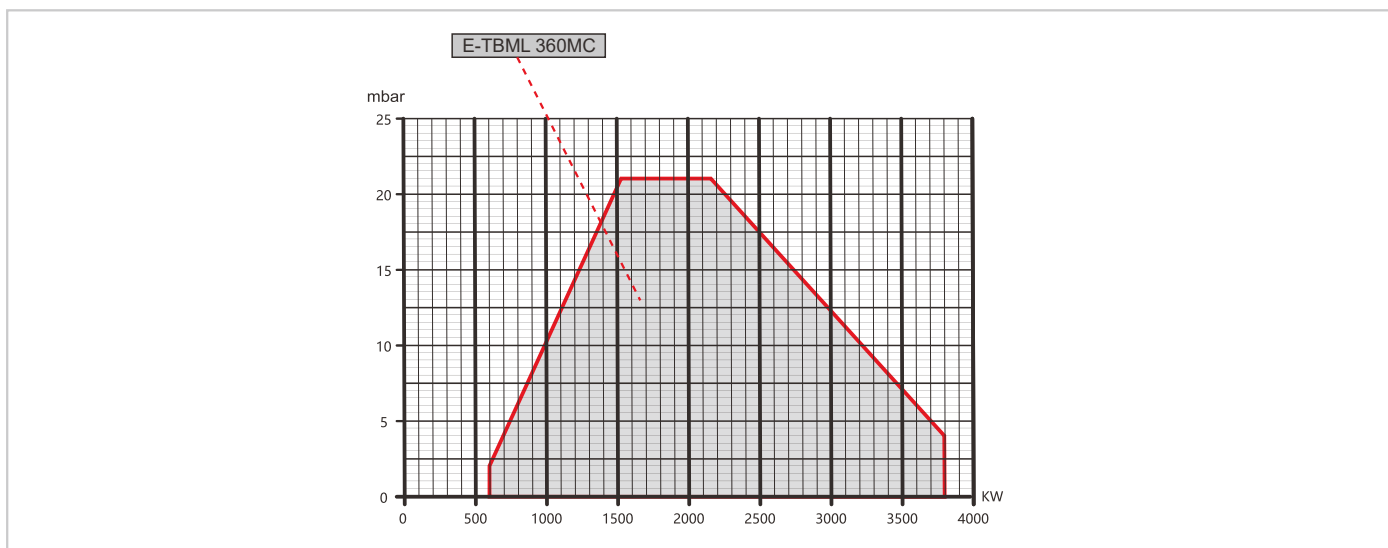
Customers need to order P.I.D automatic output regulator and adjustment components (temperature or pressure probe) separately, and the burner can achieve modulating electronic operation.

## Remark

1. The burner are equipped with automatic air shut-off device.
2. When the gas pressure of the safety valve is less than 12 mbar replace the minimum pressure switch with GW50.

## Standard accessories

E-TBML360MC:Onlinefilter-hose-nozzle(seeP15-16)-Components paired with the boiler.

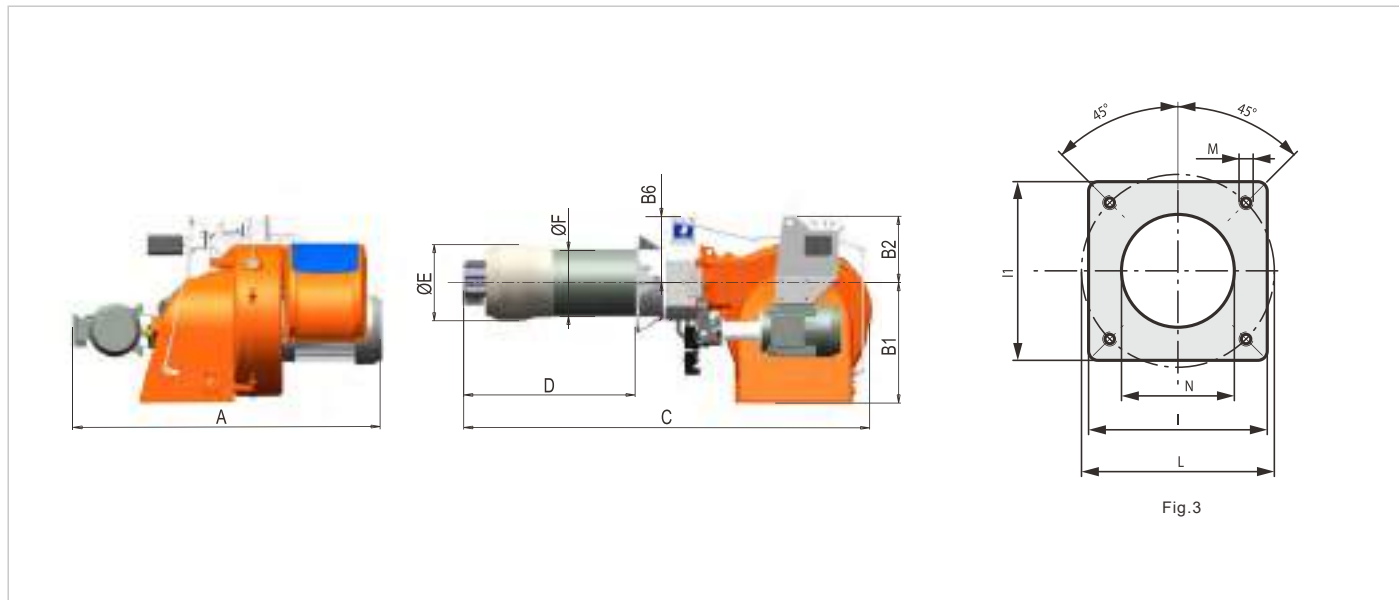


# E-TBML 360MC 600~3600kW

Technical parameters and valve group

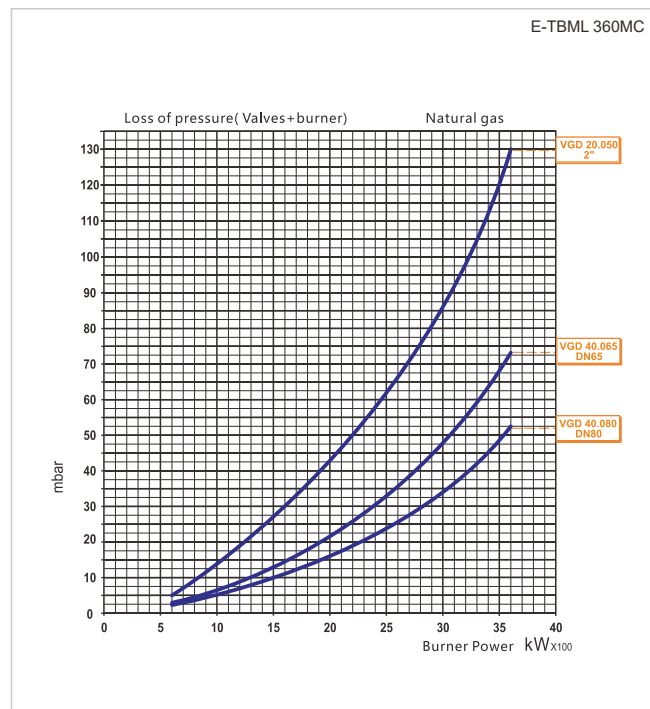
3.5T

Model	A mm	B1 mm	B2 mm	B6 mm	C mm	D mm	E mm	F mm	I mm	I1 mm	L mm	M mm	N mm	Figure No.
EBXML 360MC	980	395	205	220	1350	300~530	250	219	320	320	280~370	M12	275	3



## E-TBML 360MC Natural gas

Curve	Valves code	Max pressure mbar	Filter pressure regulator	Burner/valve adapter	Figure No.	Remark
VGD 20.050 (2")	included	500	included	-	Q6	
VGD 40.065 (DN65)	included	500	included	-	Q6	
VGD 40.080 (DN80)	included	500	included	-	Q6	



# E-TBML 450/650MC 600~6500kW

Two-stage /two-stage progressive/modulating electronic/gas&light oil dual-fuel burner

4&6T



Fig.1



Fig.2

Accessory

P.I.D

°C

Pa

## Technical and performance features

- ▶ Burners with alternate gas/oil dual supply.
- ▶ Natural gas works in progressive two stages, and light oil works in two stages.
- ▶ The burner gas emission reaches the European standard CLASS III.
- ▶ The burner fuel emission reaches the European standard CLASS III.
- ▶ The air damper is closed when the burner is shutdown.
- ▶ The control panel has a signal indicator panel and work indicator light.
- ▶ Flame detection by UV photocell.
- ▶ Gas train outlet: Down.
- ▶ The fan motor meets the European standard IE2.
- ▶ Air and gas are mixed in the combustion head and mechanically pressure atomized.
- ▶ The mixing and atomizing devices can be removed directly without detaching the burner from the boiler, making maintenance easy.
- ▶ The standard electrical protection rating is IP40. If required, the electrical protection rating can be increased.

Model	Power kW	Nature gas flow(m³/h)	Light oil flow kg/h	E@20°C Max.Viscosity	Power supply	Motor power kW	Packing Size LxPxH mm	Net weight kg	Remark
E-TBML 450MC	600(750)*~4500	68~375	68~375	1.5	3N AC 50Hz 400V	9.2	1970x1350 x1150	330	1)
E-TBML 650MC	800(2000)*~6500	80~650	169~506	1.5	3N AC 50Hz 400V	15	1970x1350 x1150	390	1)

## Electronic modulation function

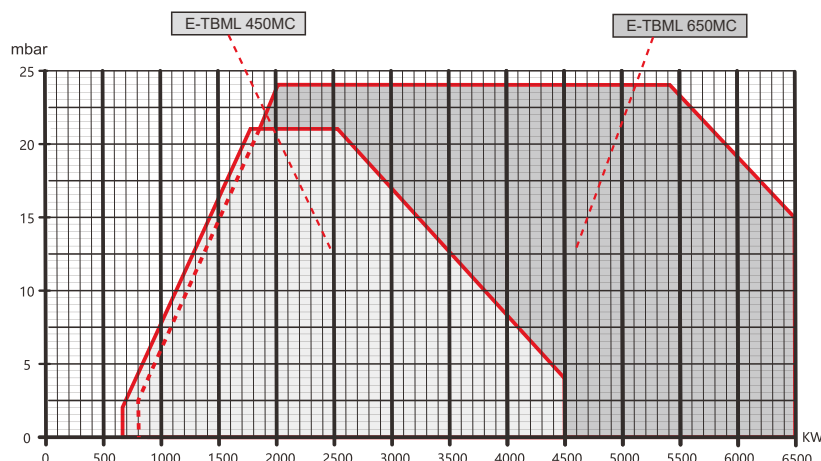
Customers need to order P.I.D automatic output regulator and adjustment components (temperature or pressure probe) separately, and the burner can achieve modulating electronic operation.

## Remark

1. The burner are equipped with automatic air shut-off device.
2. When the gas pressure of the safety valve is less than 12 mbar replace the minimum pressure switch with GW50.

## Standard accessories

E-TBML450/650MC:Onlinefilter-hose-nozzle(seeP15-16)-Components paired with the boiler.



# E-TBML 450/650MC 600~6500kW

Technical parameters and valve group

4&6T

Model	A mm	B1 mm	B2 mm	B6 mm	C mm	D mm	E mm	F mm	I mm	I1 mm	L mm	M mm	N mm	Figure No.
E-TBML 450MC	1310	530	395	295	1780	640	315	310	480	480	520-600	M20	340	3
E-TBML 650MC	1330	530	395	295	1780	640	335	330	480	480	520-600	M20	360	3

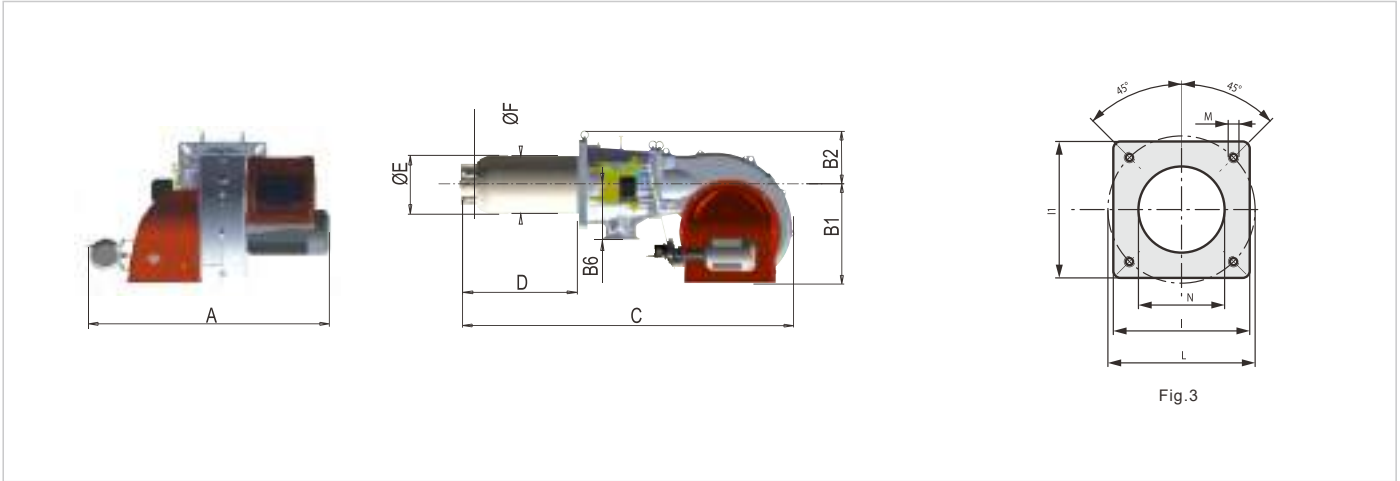
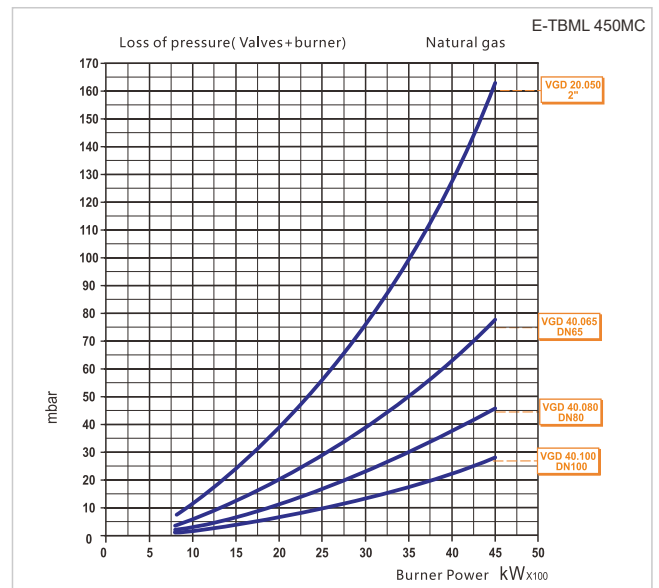


Fig.3

## E-TBML 450MC

Natural gas

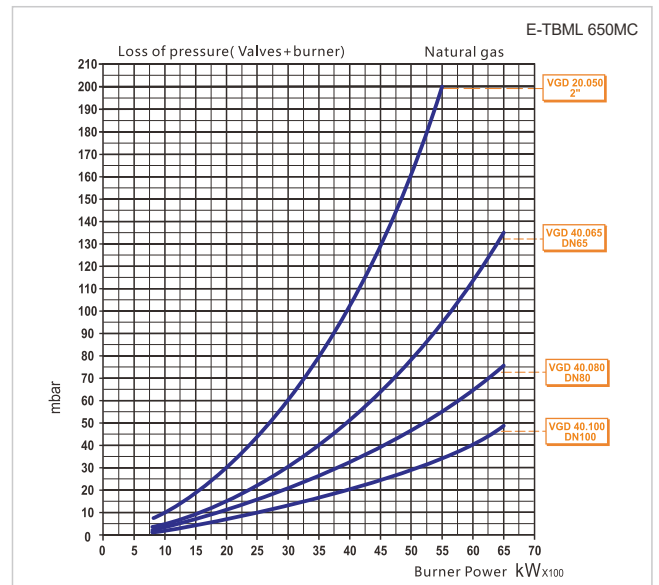
Curve	Valves code	Max pressure mbar	Filter pressure regulator	Burner/valve adapter	Figure No.	Remark
VDG 20.050 (2")	included	360	included	-	Q3	
VDG 40.065 (DN65)	included	360	included	-	Q3	
VDG 40.080 (DN80)	included	360	included	-	Q3	
VDG 40.100 (DN100)	included	500	included	-	Q3	



## E-TBML 650MC

Natural gas

Curve	Valves code	Max pressure mbar	Filter pressure regulator	Burner/valve adapter	Figure No.	Remark
VDG 20.050 (2")	included	500	included	-	Q3	
VDG 40.065 (DN65)	included	500	included	-	Q3	
VDG 40.080 (DN80)	included	500	included	-	Q3	
VDG 40.0100 (DN100)	included	500	included	-	Q2	



# E-TBML 750/800MC 650~8000kW

Two-stage /two-stage progressive/modulating electronic/gas&light oil dual-fuel burner

8T



Fig.1



Fig.2

Accessory

P.I.D

°C

Pa

## Technical and performance features

- ▶ Burners with alternate gas/oil dual supply.
- ▶ Natural gas works in progressive two stages, and light oil works in two stages.
- ▶ The burner gas emission reaches the European standard CLASS III.
- ▶ The burner fuel emission reaches the European standard CLASS III.
- ▶ The air damper is closed when the burner is shutdown.
- ▶ The control panel has a signal indicator panel and work indicator light.
- ▶ Flame detection by UV photocell.
- ▶ Gas train outlet: Down.
- ▶ The fan motor meets the European standard IE2.
- ▶ Air and gas are mixed in the combustion head and mechanically pressure atomized.
- ▶ The mixing and atomizing devices can be removed directly without detaching the burner from the boiler, making maintenance easy.
- ▶ The standard electrical protection rating is IP40. If required, the electrical protection rating can be increased.

Model	Power kW	Nature gas flow(m³/h)	Light oil flow kg/h	E@20°C Max.Viscosity	Power supply	Motor power kW	Packing Size LxPxH mm	Net weight kg	Remark
E-TBML 750MC	650(1700)*~7500	65~750	143~633	1.5	3N AC 50Hz 400V	15.0+2.2	1970x1350 x1150	390	1)
E-TBML 800MC	800(750)*~8000	80~800	169~674	1.5	3N AC 50Hz 400V	15.0+2.2	1970x1350 x1150	390	1)

## Electronic modulation function

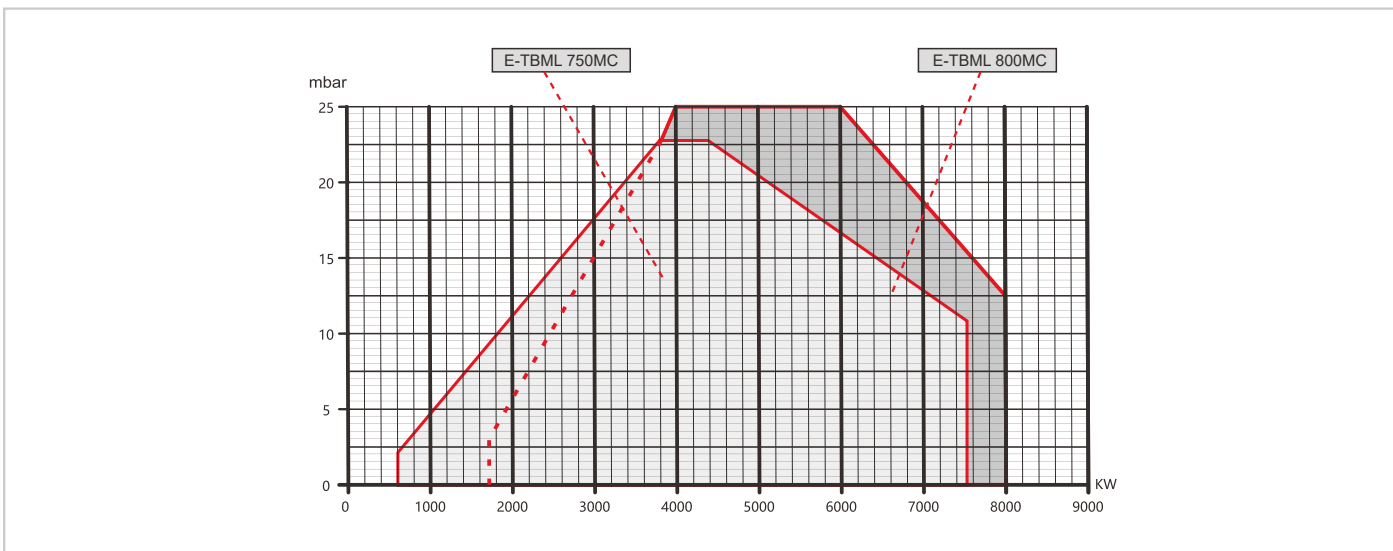
Customers need to order P.I.D automatic output regulator and adjustment components (temperature or pressure probe) separately, and the burner can achieve modulating electronic operation.

## Remark

1. The burner are equipped with automatic air shut-off device.
2. When the gas pressure of the safety valve is less than 12 mbar replace the minimum pressure switch with GW50.

## Standard accessories

E-TBML800MC: Online filter-hose-nozzle(see P15-16)-Components paired with the boiler.

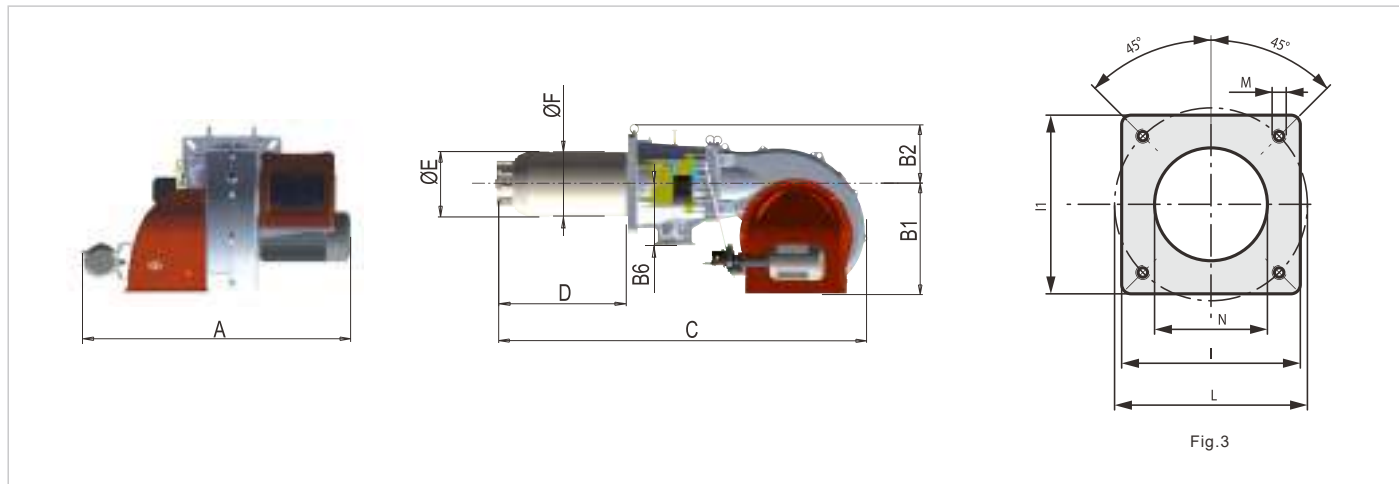


# E-TBML 750/800MC 650~8000kW

Technical parameters and valve group

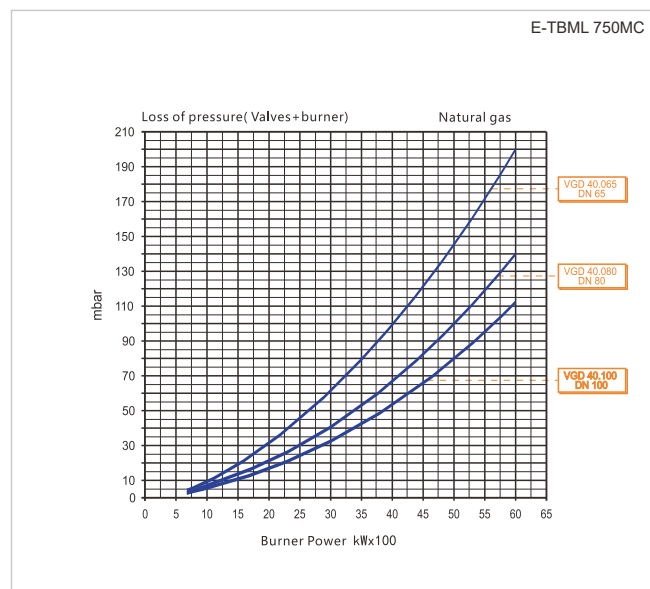
8T

Model	A mm	B1 mm	B2 mm	B6 mm	C mm	D mm	E mm	F mm	I mm	I1 mm	L mm	M mm	N mm	Figure No.
E-TBML 750MC	1330	530	395	295	1855	715	397	390	480	480	520~600	M20	420	3
E-TBML 800MC	1330	530	395	295	1855	715	397	390	480	480	520~600	M20	420	3



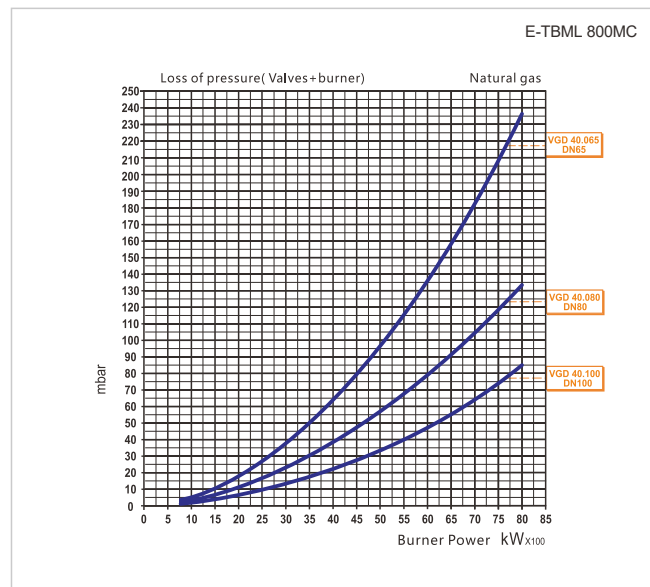
## E-TBML 750MC Natural gas

Curve	Valves code	Max pressure mbar	Filter pressure regulator	Burner/valve adapter	Figure No.	Remark
VDG 40.065 (DN65)	included	500	included	-	Q7	
VDG 40.080 (DN80)	included	500	included	-	Q7	
VDG 40.100 (DN100)	included	500	included	-	Q7	



## E-TBML 800MC Natural gas

Curve	Valves code	Max pressure mbar	Filter pressure regulator	Burner/valve adapter	Figure No.	Remark
VDG 40.065 (DN65)	included	500	included	-	Q7	
VDG 40.080 (DN80)	included	500	included	-	Q7	
VDG 40.100 (DN100)	included	500	included	-	Q7	



## E-BTL 14/14P 89~172kW

Single-stage/Two-stage Light Oil Burners



Fig.1



Fig.2

Accessory

P.I.D

°C

Pa

### E-BTL 14 Technical and performance features

- ▶ Single-stage operation(on/off).
- ▶ Mechanical pressure atomization.
- ▶ Manually adjust air flow.
- ▶ The burner is equipped with two hoses, an in-line filter and a nozzle.
- ▶ The fan motor meets the European standard IE2.
- ▶ Combustion air inlet with flow regulator.
- ▶ Sliding flanges that match various boiler flanges allow the burner to be positioned in the boiler.
- ▶ The steel with stainless steel nozzles and flames that can be adjusted.
- ▶ Single motor drives fan and oil pump.
- ▶ Gear pump with pressure regulator and shut-off valve.
- ▶ Gear pump with pressure regulator and command equipment.
- ▶ Flame detection by UV photocell.
- ▶ The burner is equipped with terminals for connecting electrical and temperature controllers to the burner.
- ▶ The standard electrical protection rating is IP40. If required, the electrical protection rating can be increased.
- ▶ The burner fuel emission reaches the European standard CLASS II.

### E-BTL 14P Technical and performance features

- ▶ Two-stage fire operation (on / off).
- ▶ Mechanical pressure atomization.
- ▶ The hydraulic regulator is adjusted for airflow.
- ▶ The burner is equipped with two hoses, an in-line filter and two nozzle.
- ▶ The fan motor meets the European standard IE2.
- ▶ Combustion air inlet with flow regulator.
- ▶ Sliding flanges that match various boiler flanges allow the burner to be positioned in the boiler.
- ▶ The steel with stainless steel nozzles and flames that can be adjusted.
- ▶ Single motor drives fan and oil pump.
- ▶ Gear pump with pressure regulator and shut-off valve.
- ▶ Gear pump with pressure regulator and command equipment.
- ▶ Flame detection by UV photocell.
- ▶ The burner is equipped with terminals for connecting electrical and temperature controllers to the burner.
- ▶ The standard electrical protection rating is IP40. If required, the electrical protection rating can be increased.
- ▶ The burner fuel emission reaches the European standard CLASS II.

# E-BTL 14/14P 89~172kW

Technical parameters and valve group

Model	Power kW	Light oil flow kg/h	E@20°C Max.Viscosity	Power supply	Motor power kW	Packing Size LxPxH mm	Net weight kg	Remark
E-BTL 14	89~172	7.5~14.5	1.5	1N AC 50Hz 230V	0.13	480x430x335	13.5	
E-BTL14 P	89~172	7.5~14.5	1.5	1N AC 50Hz 230V	0.13	480x430x335	16	

### Alternative function

- E-BTL 14/14P: 250mm or 500mm long head.
- The burner are equipped with automatic air shut-off device.

### Standard accessories

- Onlinefilter-hose-nozzle(seeP15-16)-Components paired with the boiler.

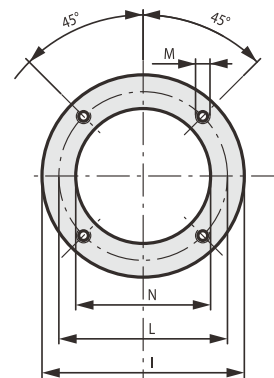
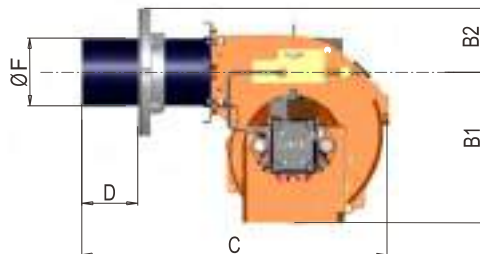
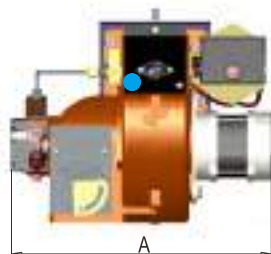
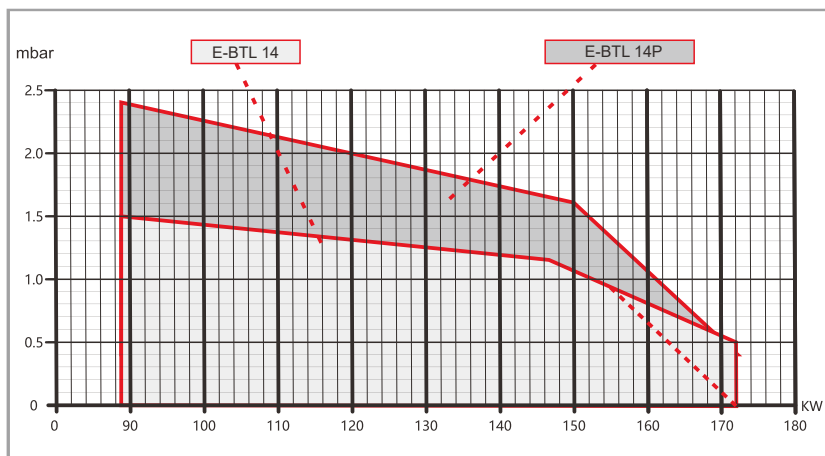


Fig.2

Model	A mm	B1 mm	B2 mm	C mm	D mm	E mm	F mm	I mm	L mm	M mm	N mm	Figure No.
E-BTL 14	360	205	70	415	40~110	—	95	170	130~155	M8	105	2
E-BTL 14P	360	205	70	415	40~110	—	95	170	130~155	M8	105	2

## E-TBL 18-26-35/18-26-35P 90~370kW

Single-stage/Two-stage Light Oil Burners



Fig.1



Fig.2

Accessory

P.I.D

°C

Pa

### E-TBL 18-26-35 Technical and performance features

- ▶ Single-stage operation(on/off).
- ▶ Mechanical pressure atomization.
- ▶ Manually adjust air flow.
- ▶ The burner is equipped with two hoses, an in-line filter and a nozzle.
- ▶ The fan motor meets the European standard IE2.
- ▶ Combustion air inlet with flow regulator.
- ▶ Sliding flanges that match various boiler flanges allow the burner to be positioned in the boiler.
- ▶ The steel with stainless steel nozzles and flames that can be adjusted.
- ▶ Single motor drives fan and oil pump.
- ▶ Gear pump with pressure regulator and shut-off valve.
- ▶ Gear pump with pressure regulator and command equipment.
- ▶ Flame detection by UV photocell.
- ▶ The burner is equipped with terminals for connecting electrical and temperature controllers to the burner.
- ▶ The standard electrical protection rating is IP40. If required, the electrical protection rating can be increased.
- ▶ The burner fuel emission reaches the European standard CLASS II.

### E-TBL 18-26-35P Technical and performance features

- ▶ Two-stage fire operation (on / off).
- ▶ Mechanical pressure atomization.
- ▶ The hydraulic regulator is adjusted for airflow.
- ▶ The burner is equipped with two hoses, an in-line filter and two nozzle.
- ▶ The fan motor meets the European standard IE2.
- ▶ Combustion air inlet with flow regulator.
- ▶ Sliding flanges that match various boiler flanges allow the burner to be positioned in the boiler.
- ▶ The steel with stainless steel nozzles and flames that can be adjusted.
- ▶ Single motor drives fan and oil pump.
- ▶ Gear pump with pressure regulator and shut-off valve.
- ▶ Gear pump with pressure regulator and command equipment.
- ▶ Flame detection by UV photocell.
- ▶ The burner is equipped with terminals for connecting electrical and temperature controllers to the burner.
- ▶ The standard electrical protection rating is IP40. If required, the electrical protection rating can be increased.
- ▶ The burner fuel emission reaches the European standard CLASS II.

# E-TBL18-26-35/18-26-35P 154~391kW

Technical parameters and valve group

Model	Power kW	Light oil flow kg/h	E@20°C Max. Viscosity	Power supply	Motor power kW	Packing Size LxPxH mm	Net weight kg	Remark
E-TBL 18	90~210	7.6~17.7	1.5	1N AC 50Hz 230V	0.25	660x515x385	23.5	
E-TBL 18P	90~210	7.6~17.7	1.5	1N AC 50Hz 230V	0.25	660x515x385	25	
E-TBL 26	155~310	13.0~26.1	1.5	1N AC 50Hz 230V	0.37	660x515x385	23.5	
E-TBL 26P	155~310	13.0~26.1	1.5	1N AC 50Hz 230V	0.37	660x515x385	25	
E-TBL 35	180~370	15.1~31.2	1.5	1N AC 50Hz 230V	0.37	815x515x385	25.5	
E-TBL 35P	178~391	14.3~31.2	1.5	1N AC 50Hz 230V	0.37	815x515x385	27	

### Alternative function

- E-TBL 26/26P: 250mm or 500mm long head.
- E-TBL 35/35P: 500mm long combustion head.
- The burner are equipped with automatic air shut-off device.

### Standard accessories

- Online filter-hose-nozzle(seeP15-16)-Components paired with the boiler.

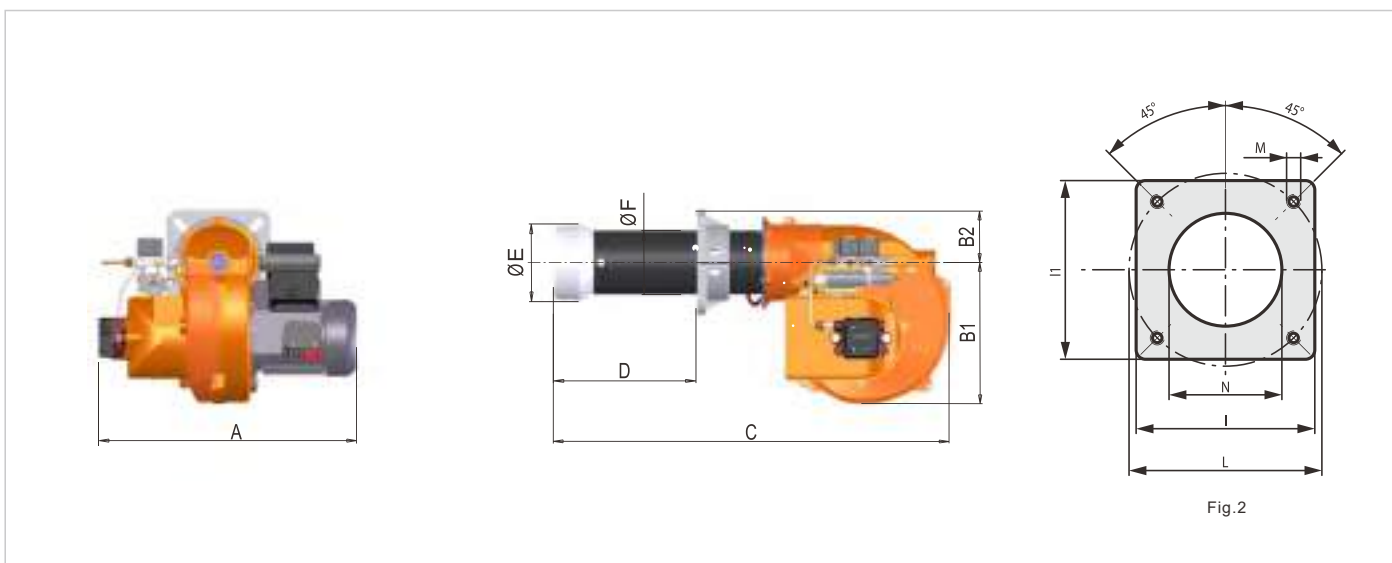
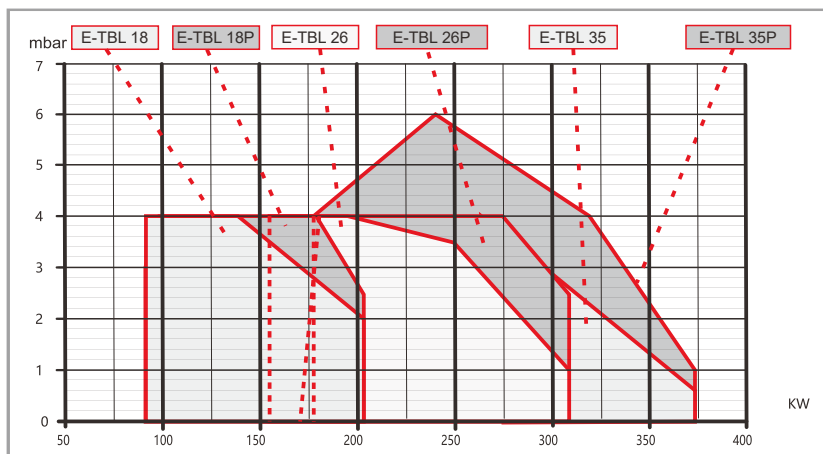


Fig.2

Model	A mm	B1 mm	B2 mm	B6 mm	C mm	D mm	E mm	F mm	I mm	I1 mm	L mm	M mm	N mm	Figure No.
E-TBL 18	450	258	85	-	690	100~240	114	114	185	185	170~210	M10	120	2
E-TBL 18P	474	258	85	-	690	100~240	114	114	185	185	170~210	M10	120	2
E-TBL 26	450	262.5	92.5	-	710	105~200	139	114	185	185	170~210	M10	150	2
E-TBL 26P	474	262.5	92.5	-	710	105~200	139	114	185	185	170~210	M10	150	2
E-TBL 35	450	262.5	110	-	710	105~350	150	135	215	215	200~245	M12	155	2
E-TBL 35P	474	262.5	110	-	710	105~350	150	135	215	215	200~245	M12	155	2

# E-TBL 45P~60P 160~600kW

Two-stage Light Oil Burners

0.5T



Fig.1



Fig.2

Accessory

- P.I.D
- °C
- Pa

## Technical and performance features

- ▶ Two-stage fire operation (on / off).
- ▶ Mechanical pressure atomization.
- ▶ The hydraulic regulator is adjusted for airflow.
- ▶ The burner is equipped with two hoses, an in-line filter and two nozzle.
- ▶ The fan motor meets the European standard IE2.
- ▶ Combustion air inlet with flow regulator.
- ▶ Sliding flanges that match various boiler flanges allow the burner to be positioned in the boiler.
- ▶ The steel with stainless steel nozzles and flames that can be adjusted.
- ▶ Single motor drives fan and oil pump.
- ▶ Gear pump with pressure regulator and shut-off valve.
- ▶ Gear pump with pressure regulator and command equipment.
- ▶ Flame detection by UV photocell.
- ▶ The burner is equipped with terminals for connecting electrical and temperature controllers to the burner.
- ▶ The mixing and atomizing devices can be removed directly without detaching the burner from the boiler, making maintenance easy.
- ▶ Sliding flanges that match various boiler flanges allow the burner to be positioned in the boiler.
- ▶ The burner fuel emission reaches the European standard CLASS II.

Model	Power kW	Light oil flow kg/h	E@20°C Max.Viscosity	Power supply	Motor power kW	Packing Size LxPxH mm	Net weight kg	Remark
E-TBL 45P	160~450	16.9~38.0	1.5	1N AC 50Hz 230V	0.50	990x580x510	27.5	
E-TBL 60P	250~600	21.0~50.6	1.5	3N AC 50Hz 400V	0.65	990x580x510	29.5	

# E-TBL 45P~60P 160~600kW

Two-stage Light Oil Burners

0.5T

### Alternative functions

- The burner are equipped with automatic air shut-off device.

### Standard accessories

- Online filter-hose-nozzle(seeP15-16)-Components paired with the boiler.

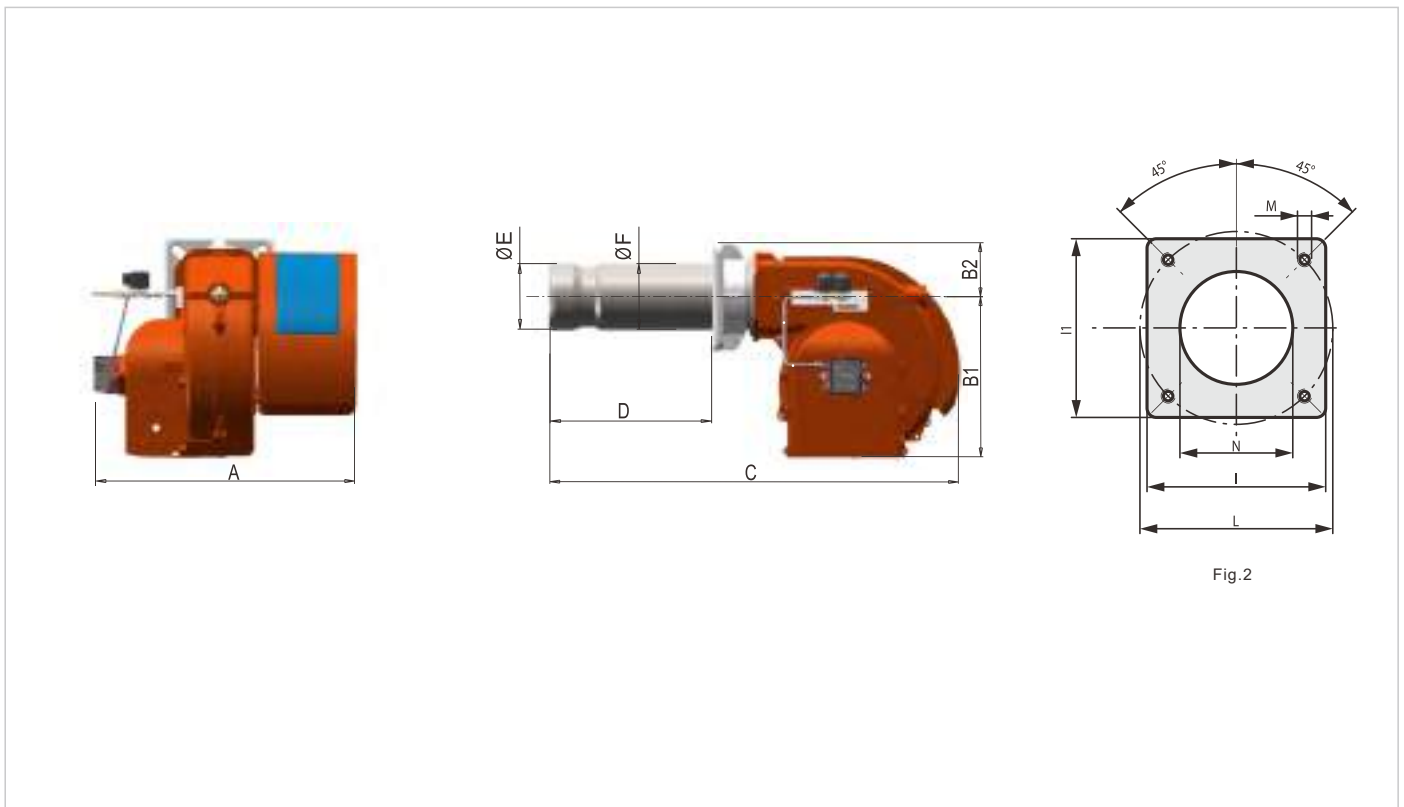
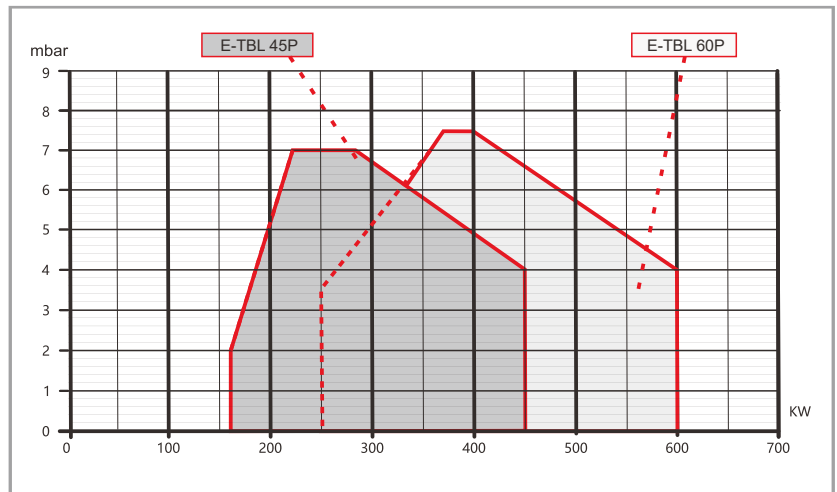


Fig.2

Model	A mm	B1 mm	B2 mm	B6 mm	C mm	D mm	E mm	F mm	I mm	I1 mm	L mm	M mm	N mm	Figure No.
E-TBL 45P	505	325	110	-	860	120~350	135	133	215	215	200~245	M12	145	2
E-TBL 60P	505	325	130	-	880	140~350	150	152	260	260	225~300	M12	160	2

# E-TBL 85P~105P 200~1050kW

Two-stage Light Oil Burners

1T



Fig.1



Fig.2

Accessory

- P.I.D
- °C
- Pa

## Technical and performance features

- ▶ Two-stage fire operation (on / off).
- ▶ Mechanical pressure atomization.
- ▶ The hydraulic regulator is adjusted for airflow.
- ▶ The burner is equipped with two hoses, an in-line filter and two nozzle.
- ▶ The fan motor meets the European standard IE2.
- ▶ Combustion air inlet with flow regulator.
- ▶ Sliding flanges that match various boiler flanges allow the burner to be positioned in the boiler.
- ▶ The steel with stainless steel nozzles and flames that can be adjusted.
- ▶ Single motor drives fan and oil pump.
- ▶ Gear pump with pressure regulator and shut-off valve.
- ▶ Gear pump with pressure regulator and command equipment.
- ▶ Flame detection by UV photocell.
- ▶ The burner is equipped with terminals for connecting electrical and temperature controllers to the burner.
- ▶ The mixing and atomizing devices can be removed directly without detaching the burner from the boiler, making maintenance easy.
- ▶ The standard electrical protection rating is IP40. If required, the electrical protection rating can be increased.
- ▶ The burner fuel emission reaches the European standard CLASS II.

Model	Power kW	Light oil flow kg/h	E@20°C Max.Viscosity	Power supply	Motor power kW	Packing Size LxPxH mm	Net weight kg	Remark
E-TBL 85P	200~850	16.9~71.6	1.5	3N AC 50Hz 400V	1.1	1070x810x720	79	
E-TBL 105P	320~1050	27~88.5	1.5	3N AC 50Hz 400V	1.5	1070x810x720	80	

# E-TBL 85P~105P 200~1050kW

Two-stage Light Oil Burners

1T

### Alternative functions

- The burner are equipped with automatic air shut-off device.

### Standard accessories

- Online filter-hose-nozzle(seeP15-16)-Components paired with the boiler.

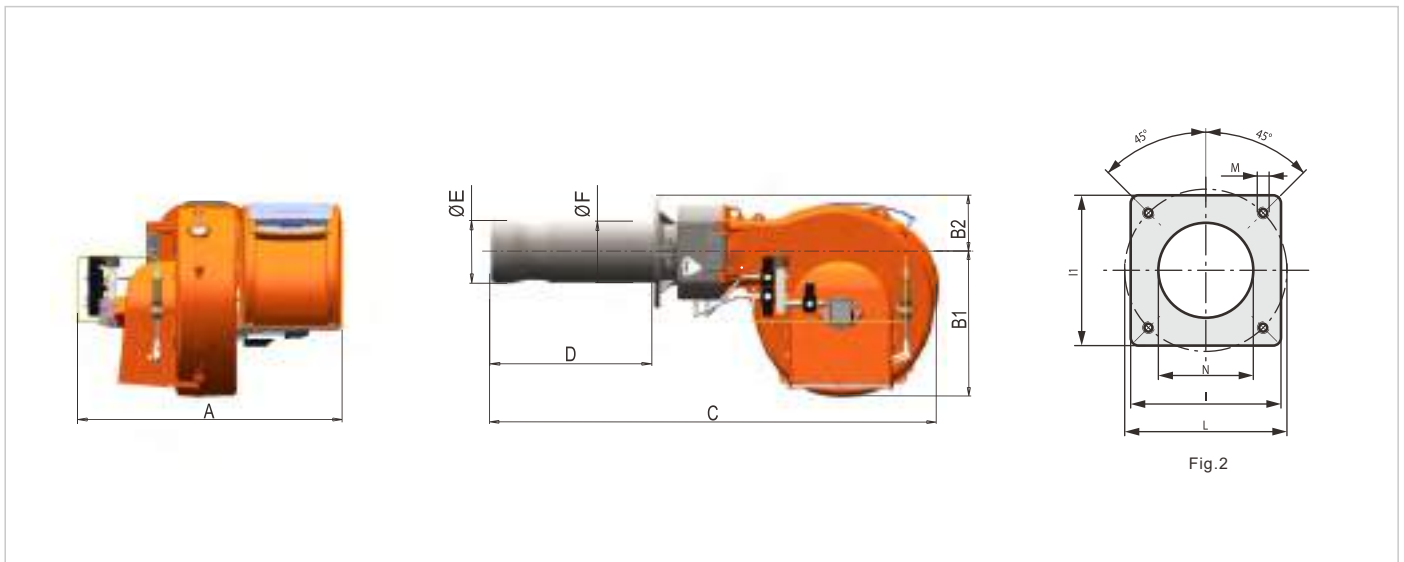
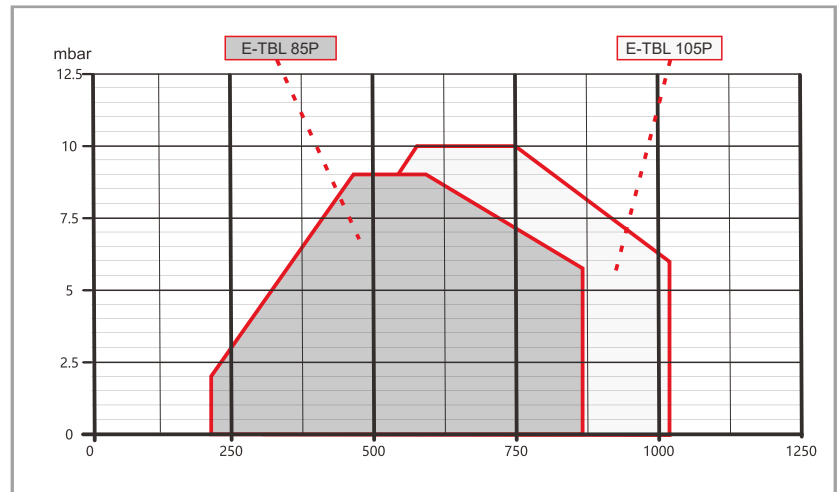


Fig.2

Model	A mm	B1 mm	B2 mm	B6 mm	C mm	D mm	E mm	F mm	I mm	I1 mm	L mm	M mm	N mm	Figure No.
E-TBL 85P	695	380	140	-	1245	175~400	180	178	280	280	250~325	M12	190	2
E-TBL 105P	695	380	140	-	1245	175~400	180	178	280	280	250~325	M12	190	2

## E-TBL 130~160~210P 400~2100kW

Two-stage Light Oil Burners

1.5T&2T



Fig.1



Fig.2

### Technical and performance features

- ▶ Two-stage fire operation (on / off).
- ▶ Mechanical pressure atomization.
- ▶ The hydraulic regulator is adjusted for airflow.
- ▶ The burner is equipped with two hoses, an in-line filter and two nozzle.
- ▶ The fan motor meets the European standard IE2.
- ▶ Combustion air inlet with flow regulator.
- ▶ Sliding flanges that match various boiler flanges allow the burner to be positioned in the boiler.
- ▶ The steel with stainless steel nozzles and flames that can be adjusted.
- ▶ Single motor drives fan and oil pump.
- ▶ Gear pump with pressure regulator and shut-off valve.
- ▶ Gear pump with pressure regulator and command equipment.
- ▶ Flame detection by UV photocell.
- ▶ The burner is equipped with terminals for connecting electrical and temperature controllers to the burner.
- ▶ The mixing and atomizing devices can be removed directly without detaching the burner from the boiler, making maintenance easy.
- ▶ The standard electrical protection rating is IP40. If required, the electrical protection rating can be increased.
- ▶ The burner fuel emission reaches the European standard CLASS II.

Model	Power kW	Light oil flow kg/h	E@20°C Max.Viscosity	Power supply	Motor power kW	Packing Size LxPxH mm	Net weight kg	Remark
E-TBL 130P	400~1300	33.7~109.6	1.5	3N AC 50Hz 400V	2.2	1070x810x720	85	
E-TBL 160P	500~2100	42.2~134.9	1.5	3N AC 50Hz 400V	2.2	1070x810x720	90	
E-TBL 210P	800~2100	67.5~145.1	1.5	3N AC 50Hz 400V	3.0	1070x810x720	94	

# E-TBL 130~160~210P 400~2100kW

Two-stage Light Oil Burners

1.5T&2T

### Alternative functions

- The burner are equipped with automatic air shut-off device.

### Standard accessories

- Online filter-hose-nozzle(seeP15-16)-Components paired with the boiler.

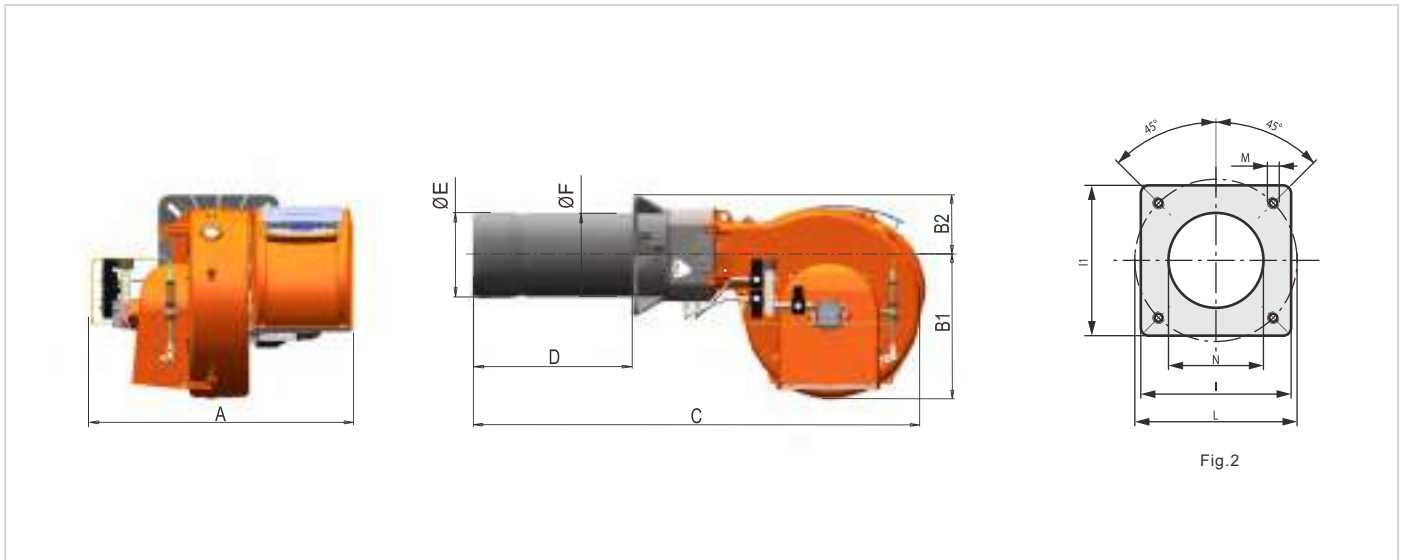
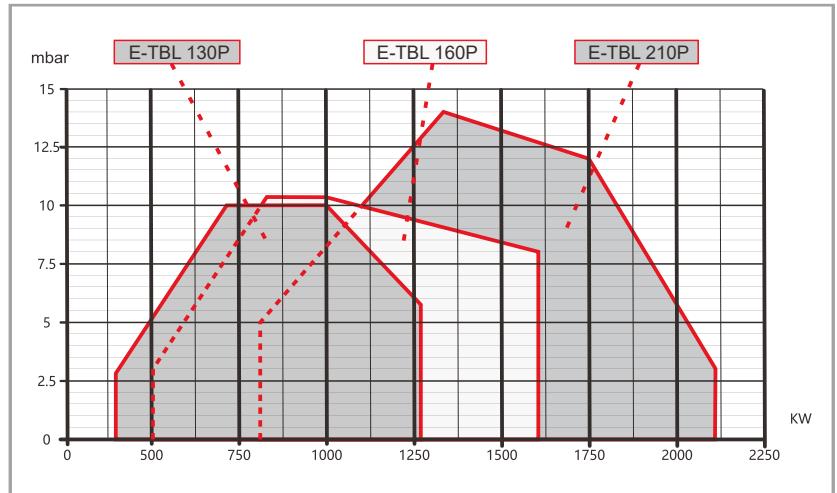


Fig.2

Model	A mm	B1 mm	B2 mm	B6 mm	C mm	D mm	E mm	F mm	I mm	I1 mm	L mm	M mm	N mm	Figure No.
E-TBL 130P	695	380	140	-	1250	175~400	180	178	280	280	250~325	M12	190	2
E-TBL 160P	695	380	160	-	1300	200~450	224	219	320	320	280~370	M12	235	2
E-TBL 210P	695	380	160	-	1300	210~450	250	219	320	320	280~370	M12	255	2

# E-TBL 260~300P 873~3000kW

Two-stage Light Oil Burners

3T&3.5T



Fig.1



Fig.2

## Technical and performance features

- ▶ Two-stage fire operation (on / off).
- ▶ Mechanical pressure atomization.
- ▶ The hydraulic regulator is adjusted for airflow.
- ▶ The burner is equipped with two hoses, an in-line filter and two nozzle.
- ▶ The fan motor meets the European standard IE2.
- ▶ Combustion air inlet with flow regulator.
- ▶ Sliding flanges that match various boiler flanges allow the burner to be positioned in the boiler.
- ▶ The steel with stainless steel nozzles and flames that can be adjusted.
- ▶ Single motor drives fan and oil pump.
- ▶ Gear pump with pressure regulator and shut-off valve.
- ▶ Gear pump with pressure regulator and command equipment.
- ▶ Flame detection by UV photocell.
- ▶ The burner is equipped with terminals for connecting electrical and temperature controllers to the burner.
- ▶ The mixing and atomizing devices can be removed directly without detaching the burner from the boiler, making maintenance easy.
- ▶ The standard electrical protection rating is IP40. If required, the electrical protection rating can be increased.
- ▶ The burner fuel emission reaches the European standard CLASS II.

Model	Power kW	Light oil flow kg/h	E@20°C Max.Viscosity	Power supply	Motor power kW	Packing Size LxPxH mm	Net weight kg	Remark
E-TBL 260P	873~2600	74~160	1.5	3N AC 50Hz 400V	7.0	1070x810x720	112	
E-TBL 300P	1034~3000	100~200	1.5	3N AC 50Hz 400V	7.0	1070x810x720	125	

# E-TBL 260~300P 873~3000kW

Two-stage Light Oil Burners

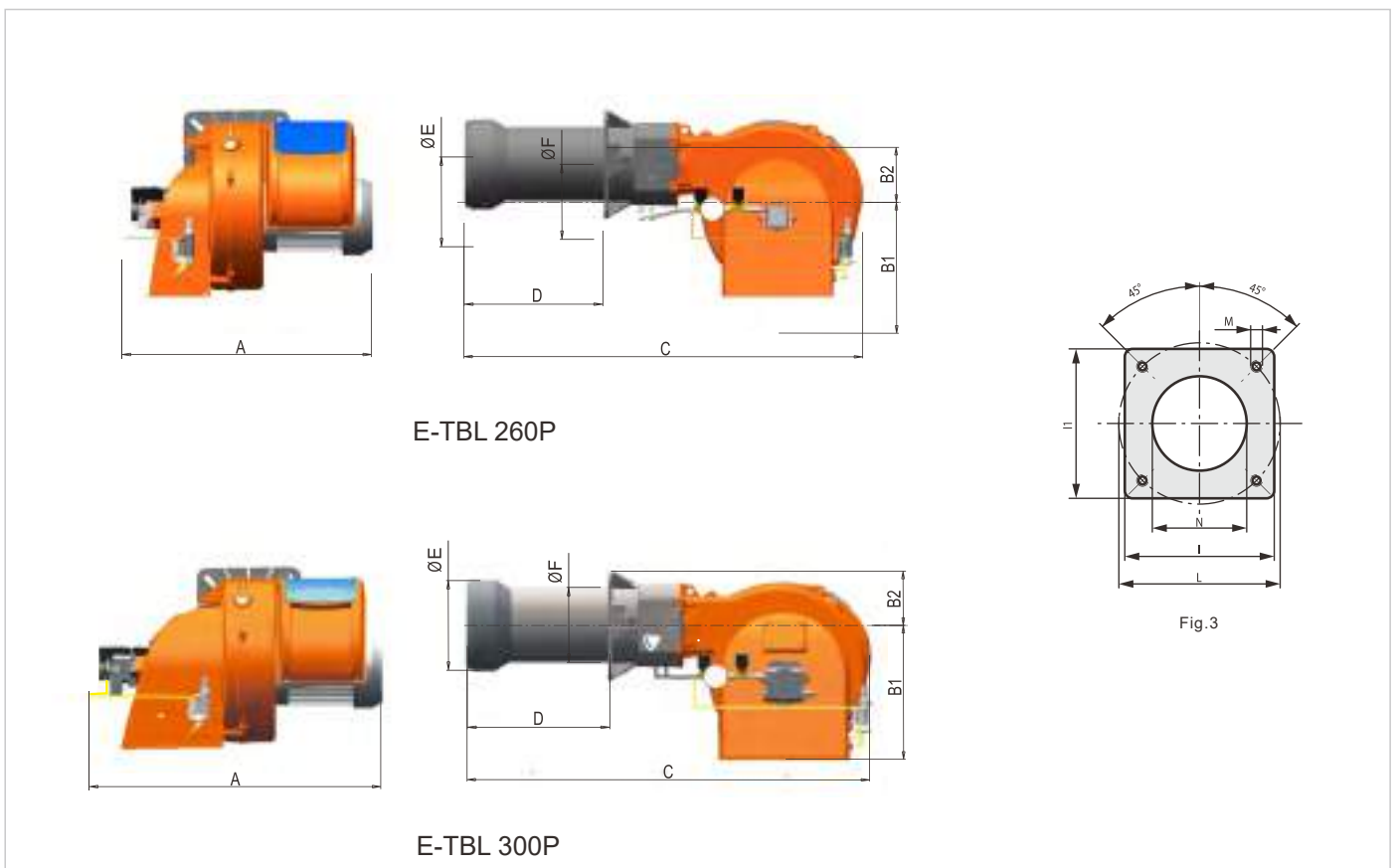
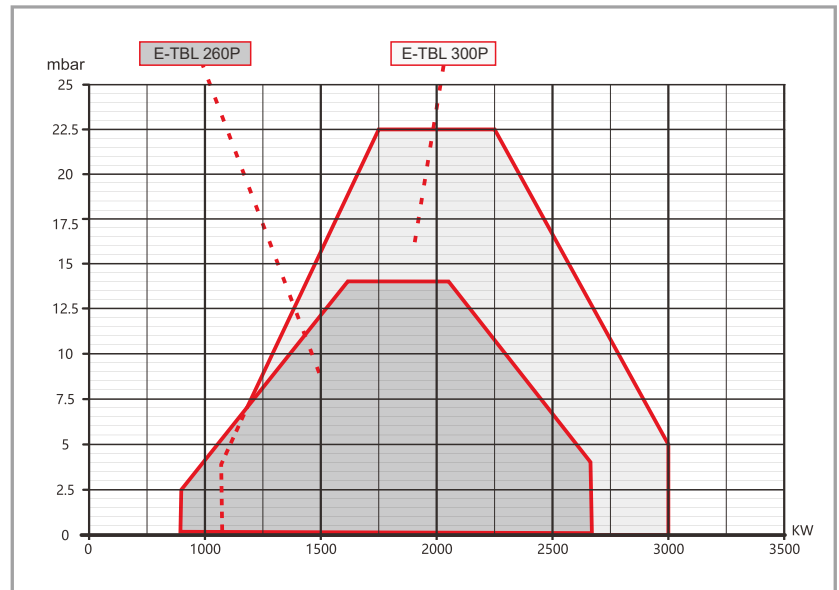
3T&3.5T

### Alternative functions

- The burner are equipped with automatic air shut-off device.

### Standard accessories

- Online filter-hose-nozzle(seeP15-16)-Components paired with the boiler.



Model	A mm	B1 mm	B2 mm	B6 mm	C mm	D mm	E mm	F mm	I mm	I1 mm	L mm	M mm	N mm	Figure No.
E-TBL 260P	750	400	160	-	1300	210~450	250	219	320	320	280~370	M12	255	3
E-TBL 300P	860	400	160	-	1300	210~450	270	219	320	320	310~370	M12	280	3

# E-TBL 450~550~650~750P 1580~7500kW

Two-stage Light Oil Burners

4T&8T



Fig.1



Fig.2

## Technical and performance features

- ▶ Two-stage fire operation (on / off).
- ▶ Mechanical pressure atomization.
- ▶ The hydraulic regulator is adjusted for airflow.
- ▶ The burner is equipped with two hoses, an in-line filter and two nozzle.
- ▶ The fan motor meets the European standard IE2.
- ▶ Combustion air inlet with flow regulator.
- ▶ Sliding flanges that match various boiler flanges allow the burner to be positioned in the boiler.
- ▶ The steel with stainless steel nozzles and flames that can be adjusted.
- ▶ Single motor drives fan and oil pump.
- ▶ Gear pump with pressure regulator and shut-off valve.
- ▶ Gear pump with pressure regulator and command equipment.
- ▶ Flame detection by UV photocell.
- ▶ The burner is equipped with terminals for connecting electrical and temperature controllers to the burner.
- ▶ The mixing and atomizing devices can be removed directly without detaching the burner from the boiler, making maintenance easy.
- ▶ The standard electrical protection rating is IP40. If required, the electrical protection rating can be increased.
- ▶ The burner fuel emission reaches the European standard CLASS II.

Model	Power kW	Light oil flow kg/h	E@20°C Max.Viscosity	Power supply	Motor power kW	Packing Size LxPxH mm	Net weight kg	Remark
E-TBL 450P	1580~4500	134~260	1.5	3N AC 50Hz 400V	15	1970x1350x1150	250	
E-TBL 550P	1840~5500	156~320	1.5	3N AC 50Hz 400V	18.5	1970x1350x1150	265	
E-TBL 650P	2430~6500	206~400	1.5	3N AC 50Hz 400V	18.5	1970x1350x1150	270	
E-TBL 750P	2500~7500	212~450	1.5	3N AC 50Hz 400V	22	1970x1350x1150	305	

# E-TBL 450~550~650~750P 1580~7500kW

Two-stage Light Oil Burners

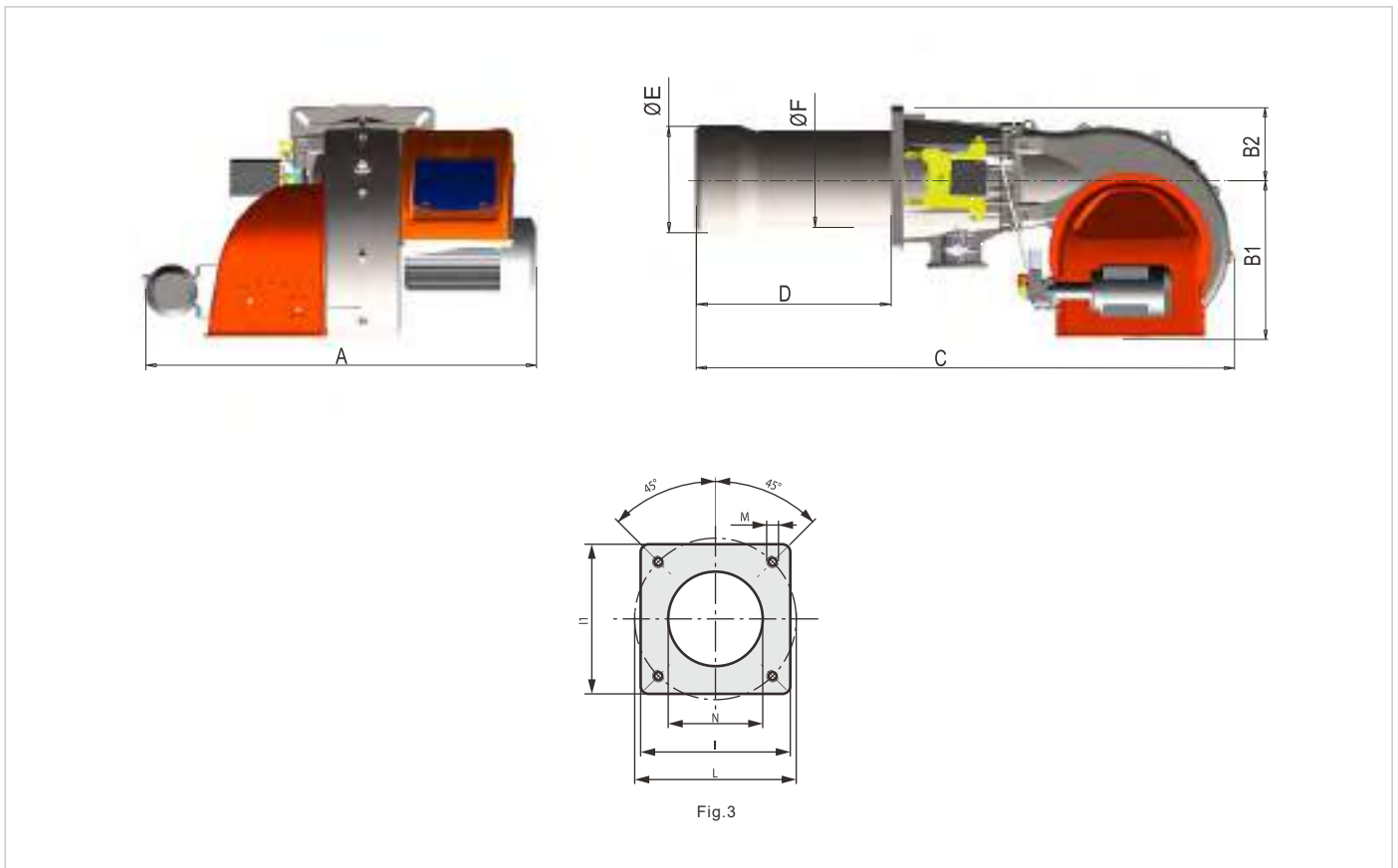
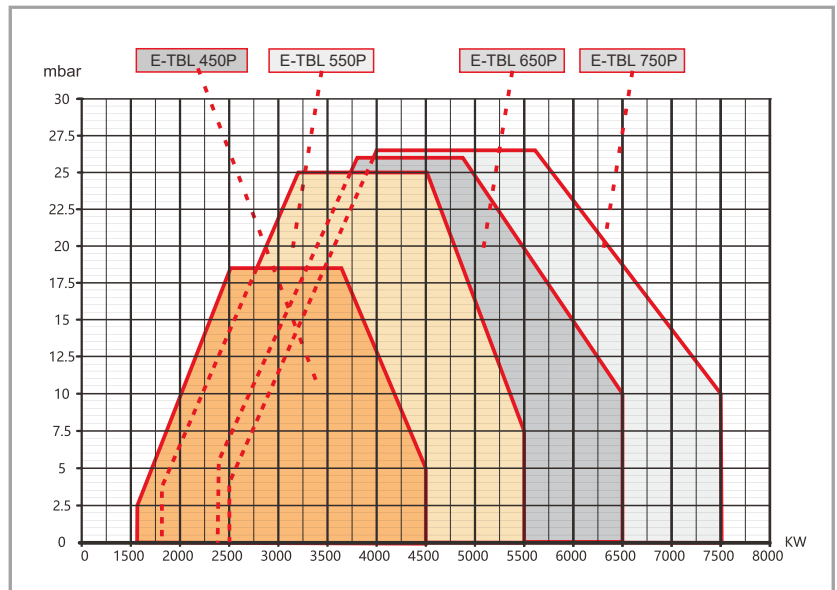
4T&8T

## Alternative functions

- The burner are equipped with automatic air shut-off device.

## Standard accessories

- Online filter-hose-nozzle(seeP15-16)-Components paired with the boiler.



Model	A mm	B1 mm	B2 mm	B6 mm	C mm	D mm	E mm	F mm	I mm	I1 mm	L mm	M mm	N mm	Figure No.
E-TBL 450P	1300	525	240	—	1795	600	356	310	480	480	520~600	M20	370	3
E-TBL 550P	1350	525	240	—	1805	600	389	310	480	480	520~600	M20	415	3
E-TBL 650P	1350	525	240	—	1805	600	389	330	480	480	520~600	M20	415	3
E-TBL 750P	1350	525	240	—	1805	600	389	389	480	480	520~600	M20	415	3



---

PT. INDIRA MITRA BOILER

**PT. INDIRA MITRA BOILER**

**Address:** Emerald Residence Sepatan Ruko 8i, Kosambi, Sukadiri, Kab. Tangerang  
Kosambi, Sukadiri, kab. Tangerang , Banten, Indonesia

**Phone:** +62 813 8866 6204

**Fax:** -

**P.c.:** -